



Chipsmall Limited consists of a professional team with an average of over 10 year of expertise in the distribution of electronic components. Based in Hongkong, we have already established firm and mutual-benefit business relationships with customers from,Europe,America and south Asia,supplying obsolete and hard-to-find components to meet their specific needs.

With the principle of “Quality Parts,Customers Priority,Honest Operation,and Considerate Service”,our business mainly focus on the distribution of electronic components. Line cards we deal with include Microchip,ALPS,ROHM,Xilinx,Pulse,ON,Everlight and Freescale. Main products comprise IC,Modules,Potentiometer,IC Socket,Relay,Connector.Our parts cover such applications as commercial,industrial, and automotives areas.

We are looking forward to setting up business relationship with you and hope to provide you with the best service and solution. Let us make a better world for our industry!



Contact us

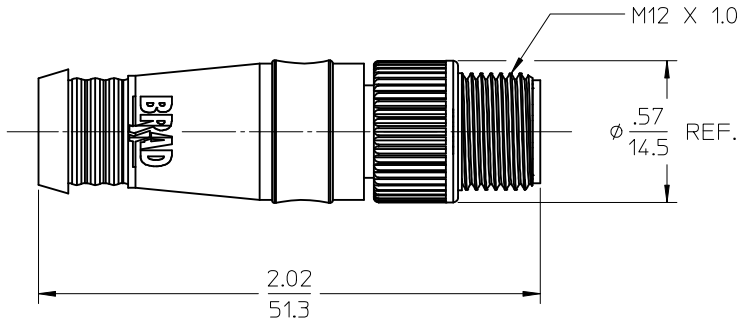
Tel: +86-755-8981 8866 Fax: +86-755-8427 6832

Email & Skype: info@chipsmall.com Web: www.chipsmall.com

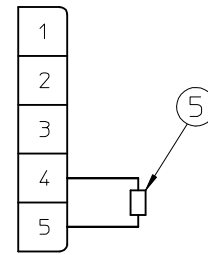
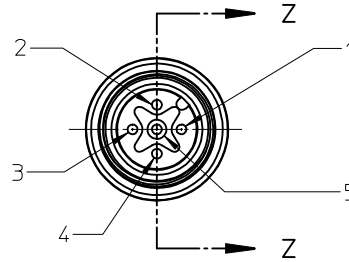
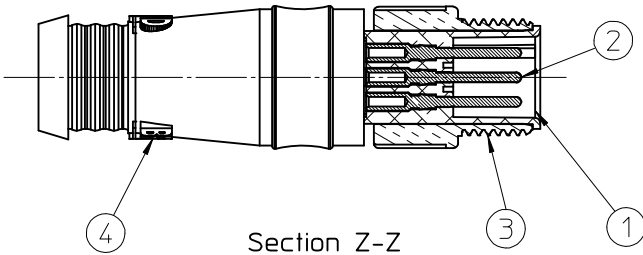
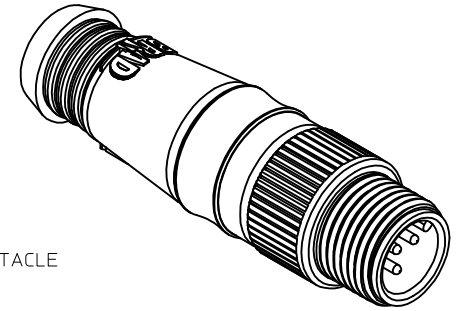
Address: A1208, Overseas Decoration Building, #122 Zhenhua RD., Futian, Shenzhen, China



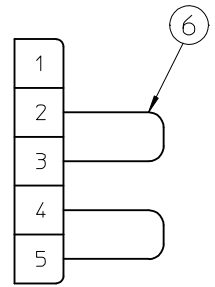
10	9	8	7
MATERIAL NO.	ENGINEERING NO.	DESCRIPTION	
1300390382	DND100	MALE STANDARD TERMINATOR WITH RESISTOR	
1300390125	DND101	MALE TERMINATOR WITH JUMPERS	



- NOTES:
1. MATERIAL: SEE TABLE
 2. FINISHES: SEE TABLE
 3. MATES WITH: FEMALE MICRO-CHANGE 5 POLE RECEPTACLE
 4. ELECTRICAL SPECIFICATIONS:
VOLTAGE RATING: 30V
CURRENT RATING: 4.0 AMPS
 5. ASSEMBLY IS RoHS COMPLIANT



WIRING DIAGRAM
(1300390382)



WIRING DIAGRAM
(1300390125)

6	2	JUMPER WIRE, 22 AWG	PVC INSULATION	
5	1	RESISTOR, 121 OHM, 1/4 WATT, ±1%	CARBON OR METAL FILM	
4	1	OVERMOLD	GRAY	PVC
3	1	COUPLING NUT, MALE THREAD	ZINC	BLACK
2	5	CONTACT PIN	Cu ALLOY	GOLD
1	1	INSERT, 5 POLE	NYLON	BLACK
ITEM	QTY.	DESCRIPTION	MATERIAL	FINISH

RELEASED
EC NO: WNA2010-0141
DR: W. R. STONE 2009/08/28
CHKD: B. WOODMAN 2009/08/28
APPR: J. MURPHY 2009/08/31

QUALITY SYMBOLS
▽=0
▽=0

GENERAL TOLERANCES (UNLESS SPECIFIED)

	mm	INCH
4 PLACES	± .005	± .0005
3 PLACES	± .008	± .0008
2 PLACES	± .010	± .0010
1 PLACE	± 0.015	± .0015
ANGULAR ±1/2°		

DRAFT WHERE APPLICABLE
MUST REMAIN WITHIN DIMENSIONS

DIMENSION STYLE
IN/MM

DRAWN BY	DATE
R. STONE	2009/08/27
CHECKED BY	DATE
B. WOODMAN	2009/08/28
APPROVED BY	DATE
J. MURPHY	2009/08/28

MATERIAL NO.

SCALE 2:1
DESIGN UNITS INCH
THIRD ANGLE PROJECTION

TITLE
MICRO-CHANGE TERMINATOR
MALE, 5 POLE
DEVICE NET

MOLEX INCORPORATED

DOCUMENT NO. SD-130039-011
SHEET NO. 1 OF 1

THIS DRAWING CONTAINS INFORMATION THAT IS PROPRIETARY TO MOLEX INCORPORATED AND SHOULD NOT BE USED WITHOUT WRITTEN PERMISSION