



Chipsmall Limited consists of a professional team with an average of over 10 year of expertise in the distribution of electronic components. Based in Hongkong, we have already established firm and mutual-benefit business relationships with customers from,Europe,America and south Asia,supplying obsolete and hard-to-find components to meet their specific needs.

With the principle of "Quality Parts,Customers Priority,Honest Operation,and Considerate Service",our business mainly focus on the distribution of electronic components. Line cards we deal with include Microchip,ALPS,ROHM,Xilinx,Pulse,ON,Everlight and Freescale. Main products comprise IC,Modules,Potentiometer,IC Socket,Relay,Connector.Our parts cover such applications as commercial,industrial, and automotives areas.

We are looking forward to setting up business relationship with you and hope to provide you with the best service and solution. Let us make a better world for our industry!



Contact us

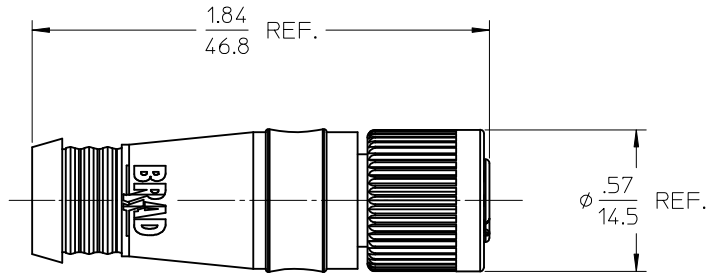
Tel: +86-755-8981 8866 Fax: +86-755-8427 6832

Email & Skype: info@chipsmall.com Web: www.chipsmall.com

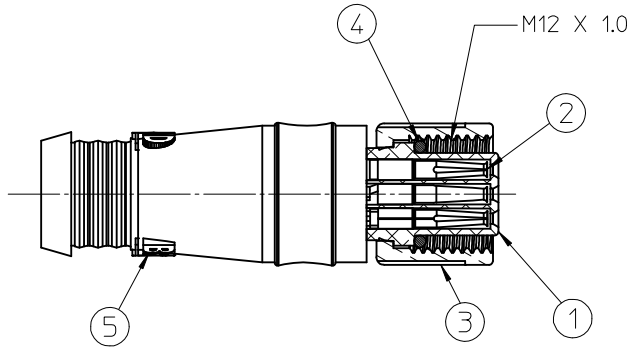
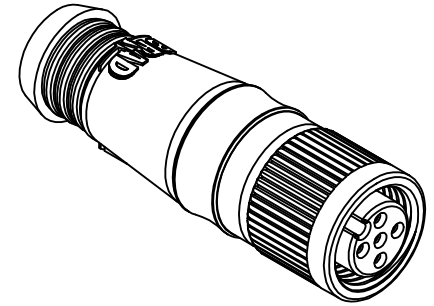
Address: A1208, Overseas Decoration Building, #122 Zhenhua RD., Futian, Shenzhen, China



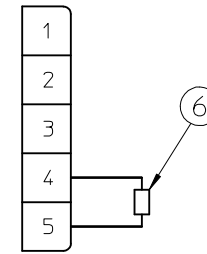
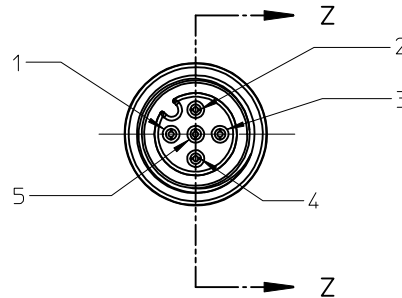
10	9	8	7
MATERIAL NO.	ENGINEERING NO.	DESCRIPTION	
1300390385	DND150	FEMALE STANDARD TERMINATOR WITH RESISTOR	
1300390386	DND151	FEMALE TERMINATOR WITH JUMPERS	



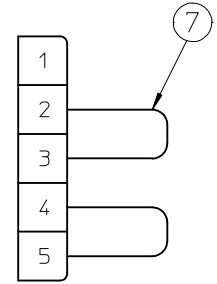
- NOTES:
1. MATERIAL: SEE TABLE
 2. FINISHES: SEE TABLE
 3. MATES WITH: MALE MICRO-CHANGE 5 POLE RECEPTACLE
 4. ELECTRICAL SPECIFICATIONS:
VOLTAGE RATING: 30V
CURRENT RATING: 4.0 AMPS
 5. ASSEMBLY IS RoHS COMPLIANT



Section Z-Z



WIRING DIAGRAM
(1300390385)



WIRING DIAGRAM
(1300390386)

7	2	JUMPER WIRE, 22 AWG	PVC INSULATION	
6	1	RESISTOR, 121 OHM, 1/4 WATT, ±1%	CARBON OR METAL FILM	
5	1	OVERMOLD	GRAY	PVC
4	1	O-RING	NITRILE	RED
3	1	COUPLING NUT, FEMALE THREAD	ZINC	BLACK
2	5	CONTACT SOCKET	Cu ALLOY	GOLD
1	1	INSERT, 5 POLE	NYLON	BLACK
ITEM	QTY.	DESCRIPTION	MATERIAL	FINISH

RELEASED
EC NO: WNA2010-0141
DRAWN BY: DRWINRSTONE 2009/08/28
CHKD BY: WOODMAN 2009/08/28
APPR: JFMURPHY 2009/08/31

QUALITY SYMBOLS
▽=0
▽=0

GENERAL TOLERANCES (UNLESS SPECIFIED)	
	mm INCH
4 PLACES	±.005 ±.0005
3 PLACES	±.005 ±.0005
2 PLACES	±.005 ±.0005
1 PLACE	±.005 ±.0005
ANGULAR ±1/2°	
DRAFT WHERE APPLICABLE MUST REMAIN WITHIN DIMENSIONS	

DIMENSION STYLE	
IN/MM	
DRAWN BY	DATE
R.STONE	2009/08/27
CHECKED BY	DATE
B.WOODMAN	2009/08/28
APPROVED BY	DATE
JFMURPHY	2009/08/28
MATERIAL NO.	
SEE CHART	

SCALE	DESIGN UNITS	THIRD ANGLE PROJECTION
2:1	INCH	
TITLE		
MICRO-CHANGE TERMINATOR FEMALE, 5 POLE DEVICE NET		
MOLEX INCORPORATED		
DOCUMENT NO.	SHEET NO.	
SD-130039-012	1 OF 1	