



Chipsmall Limited consists of a professional team with an average of over 10 year of expertise in the distribution of electronic components. Based in Hongkong, we have already established firm and mutual-benefit business relationships with customers from,Europe,America and south Asia,supplying obsolete and hard-to-find components to meet their specific needs.

With the principle of "Quality Parts,Customers Priority,Honest Operation,and Considerate Service",our business mainly focus on the distribution of electronic components. Line cards we deal with include Microchip,ALPS,ROHM,Xilinx,Pulse,ON,Everlight and Freescale. Main products comprise IC,Modules,Potentiometer,IC Socket,Relay,Connector.Our parts cover such applications as commercial,industrial, and automotives areas.

We are looking forward to setting up business relationship with you and hope to provide you with the best service and solution. Let us make a better world for our industry!



Contact us

Tel: +86-755-8981 8866 Fax: +86-755-8427 6832

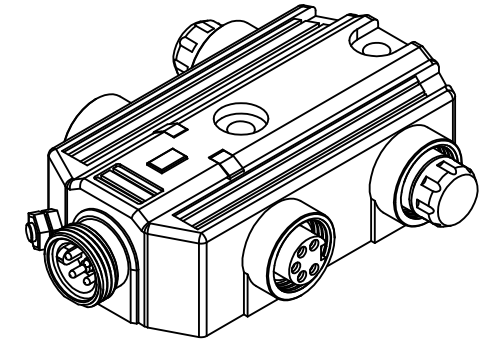
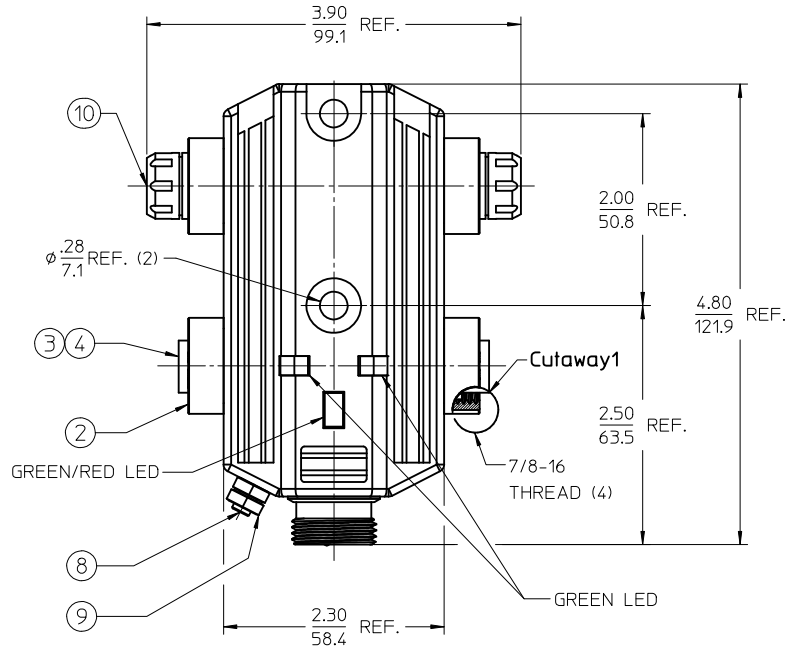
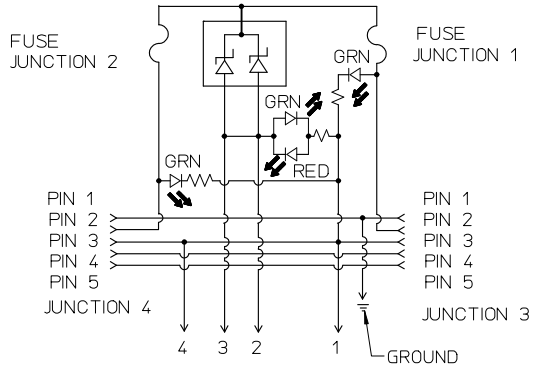
Email & Skype: info@chipsmall.com Web: www.chipsmall.com

Address: A1208, Overseas Decoration Building, #122 Zhenhua RD., Futian, Shenzhen, China

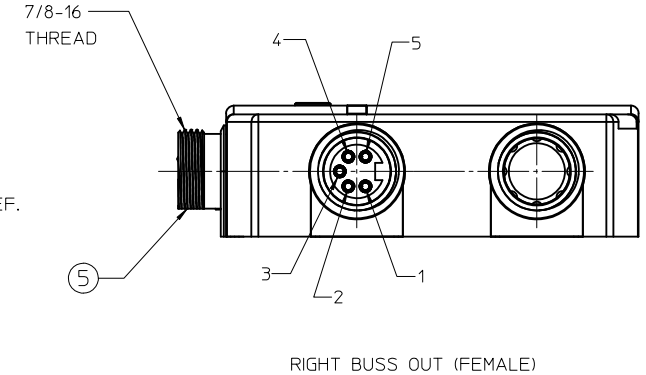
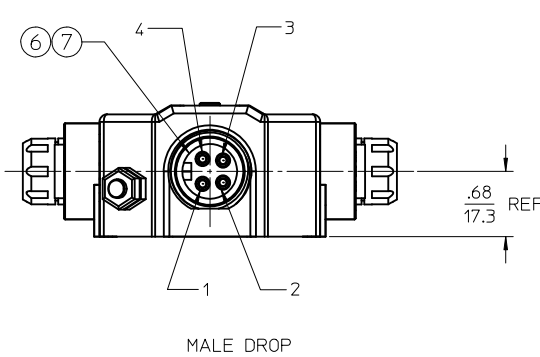
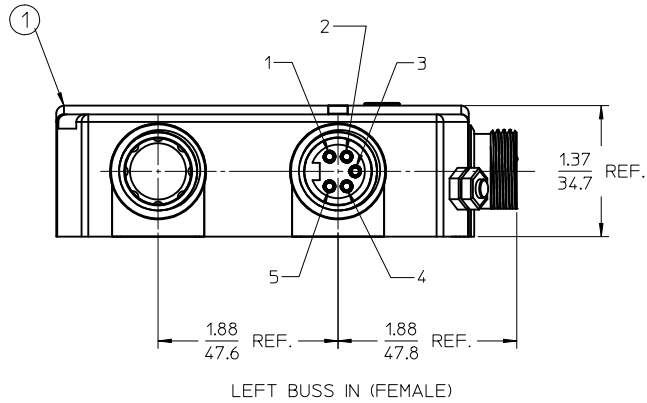


PART NUMBER	ENGINEERING NUMBER
1300390391	DN-PT2

SCHEMATIC



- NOTES:
1. MATERIAL: SEE TABLE
 2. FINISHES: SEE TABLE
 3. PACKAGING: PART IS PACKED IN A CLEARS POLY BAG INSIDE A CARDBOARD BOX ALONG WITH A WIRING SCHEMATIC.
 4. MATES WITH: NONE
 5. ELECTRICAL SPECIFICATIONS:
VOLTAGE RATING: 50VDC
FUSE PROTECTION: 4 AMPS
GROUND: 10-32 SCREW
 6. ENVIRONMENTAL: IP67
 7. OPERATING TEMP: -20° TO 158°F (-29°C TO 70°C)



10	2	FUSE HOLDER	THERMOPLASTIC	BLACK
9	2	HEXNUT, 10-32	BRASS	
8	1	GROUND PIN	BRASS	
7	1	MALE INSERT	TPE	GRAY
6	4	CONTACT PIN	CU ALLOY	GOLD PLATED
5	1	MALE RECEPTACLE	ZINC (DIECAST)	BLACK
4	2	FEMALE INSERT	TPE	GRAY
3	10	CONTACT SOCKET	CU ALLOY	GOLD PLATED
2	4	FEMALE RECEPTACLE	ZINC (DIECAST)	BLACK
1	1	HOUSING	PBT	BLACK
ITEM	QTY.	DESCRIPTION	MATERIAL	FINISH

RELEASED EC NO: MNA2010-0686 DRWN:WOODMAN 2010/05/12 CHKD:VOU 2010/05/14 APPR:JFMURPHY 2010/05/19 DESCRIPTION REV	QUALITY SYMBOLS	GENERAL TOLERANCES (UNLESS SPECIFIED) <table border="1"> <tr> <th></th> <th>mm</th> <th>INCH</th> </tr> <tr> <td>4 PLACES</td> <td>± ---</td> <td>± ---</td> </tr> <tr> <td>3 PLACES</td> <td>± ---</td> <td>± ---</td> </tr> <tr> <td>2 PLACES</td> <td>± ---</td> <td>± .010</td> </tr> <tr> <td>1 PLACE</td> <td>± 0.3</td> <td>± ---</td> </tr> </table>		mm	INCH	4 PLACES	± ---	± ---	3 PLACES	± ---	± ---	2 PLACES	± ---	± .010	1 PLACE	± 0.3	± ---	DIMENSION STYLE IN/MM	SCALE 1:1	DESIGN UNITS INCH	THIRD ANGLE PROJECTION
			mm	INCH																	
	4 PLACES	± ---	± ---																		
	3 PLACES	± ---	± ---																		
2 PLACES	± ---	± .010																			
1 PLACE	± 0.3	± ---																			
DRAFT WHERE APPLICABLE MUST REMAIN WITHIN DIMENSIONS	DRAWN BY R.STONE	DATE 2010/01/20	TITLE POWER-TAP, MALE DROP TO FEMALE/FEMALE	MOLEX INCORPORATED	SHEET NO. 1 OF 1																
MATERIAL NO. 1300390391	APPROVED BY JFMURPHY	DATE 2010/01/22	DOCUMENT NO. SD-130039-038	THIS DRAWING CONTAINS INFORMATION THAT IS PROPRIETARY TO MOLEX INCORPORATED AND SHOULD NOT BE USED WITHOUT WRITTEN PERMISSION																	