



Chipsmall Limited consists of a professional team with an average of over 10 year of expertise in the distribution of electronic components. Based in Hongkong, we have already established firm and mutual-benefit business relationships with customers from,Europe,America and south Asia,supplying obsolete and hard-to-find components to meet their specific needs.

With the principle of “Quality Parts,Customers Priority,Honest Operation,and Considerate Service”,our business mainly focus on the distribution of electronic components. Line cards we deal with include Microchip,ALPS,ROHM,Xilinx,Pulse,ON,Everlight and Freescale. Main products comprise IC,Modules,Potentiometer,IC Socket,Relay,Connector.Our parts cover such applications as commercial,industrial, and automotives areas.

We are looking forward to setting up business relationship with you and hope to provide you with the best service and solution. Let us make a better world for our industry!



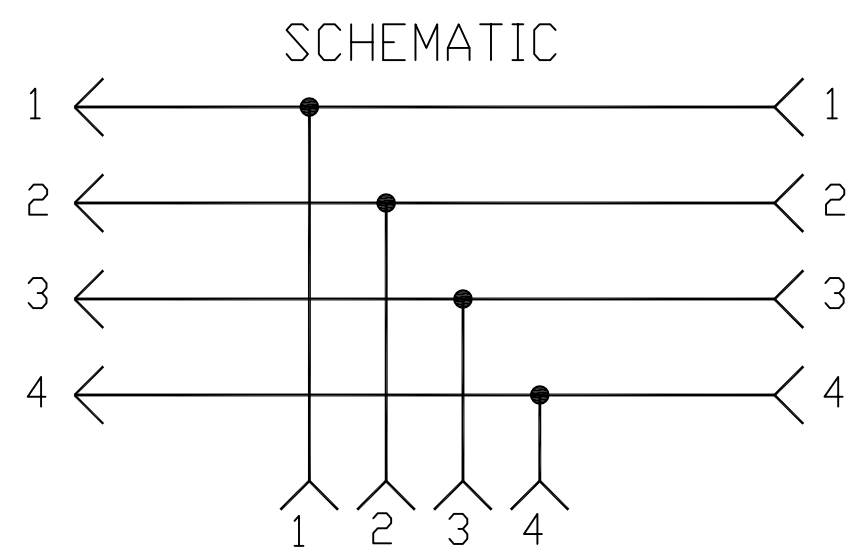
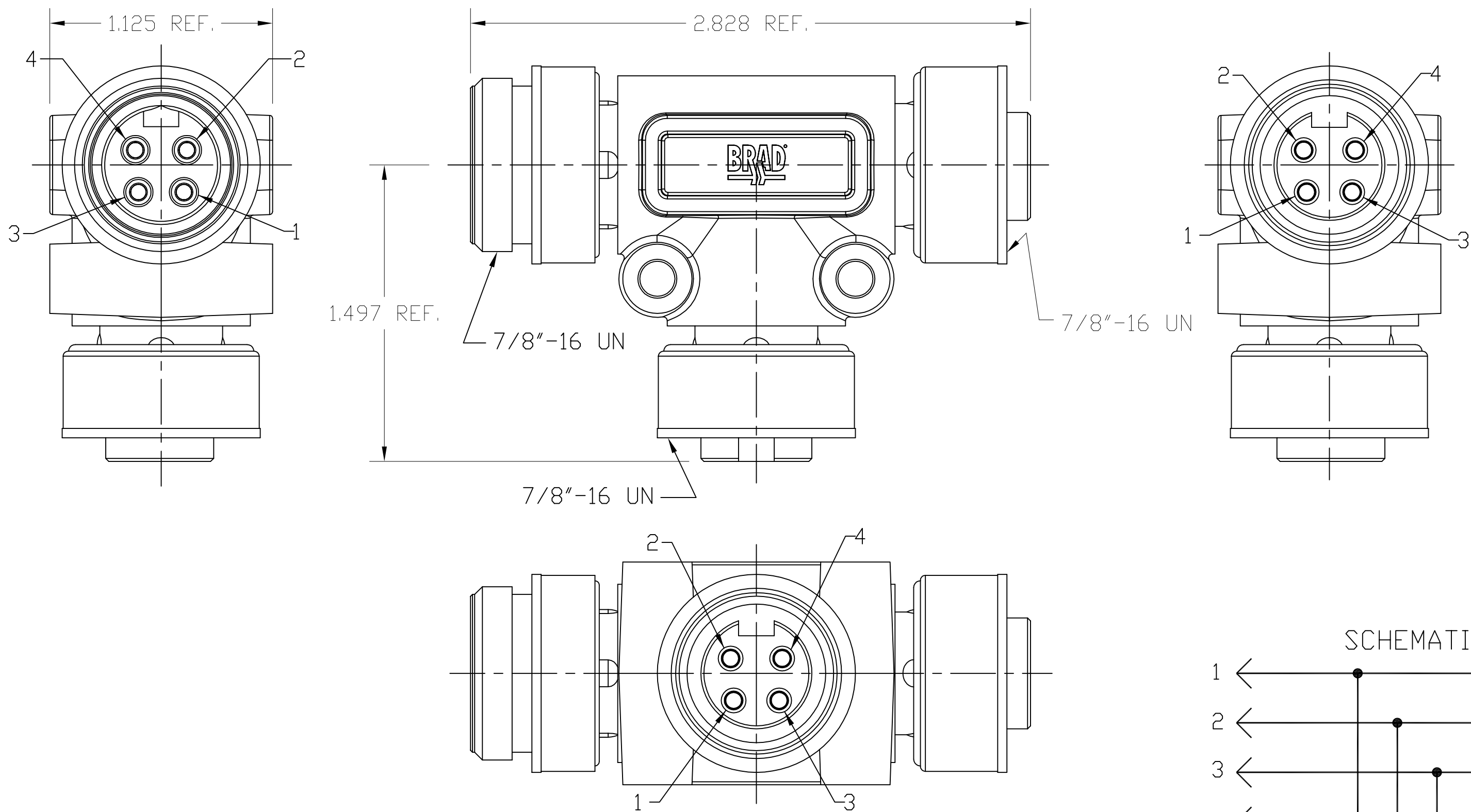
Contact us

Tel: +86-755-8981 8866 Fax: +86-755-8427 6832

Email & Skype: info@chipsmall.com Web: www.chipsmall.com

Address: A1208, Overseas Decoration Building, #122 Zhenhua RD., Futian, Shenzhen, China





NOTES:

MATERIALS:
 MOLDED BODY: BLACK PVC
 COUPLERS: STAINLESS STEEL OR NI PLATED BRASS
 CONTACTS: GOLD/NICKEL OVER COPPER ALLOY
 MC INSERTS: BLACK PVC
 FRICTION RINGS(MC FEM.): NYLON

ELECTRICAL:
 CURRENT RATING: 7AMP MAX
 VOLTAGE RATING: 300V

MECHANICAL:
 TEMPERATURE RANGE: -20° TO 60°C
 INGRESS PROTECTION: IP 67

AGENCY CERTIFICATIONS:
 AGENCY: CSA PENDING

PART NUMBER REFERENCE:

MATERIAL NUMBER	ENGINEERING NUMBER	COUPLER STYLE	GAUGE
1300450002	T140140-001FF8	HEX - 316 STAINLESS STEEL	18AWG
1300450001	T140140-001FF	KNURLED - NI PLATED BRASS	18AWG

UPDATE PER JM EC NO: WNA2009-0313 DRWN: LHARTMAN 2008/10/27 CH'KD: VOU 2008/11/07 APPR: JFMURPHY 2008/11/10	DESCRIPTION REV	QUALITY SYMBOL	GENERAL TOLERANCES (UNLESS SPECIFIED)		DIMENSION STYLE	SCALE	DESIGN UNITS	THIRD ANGLE PROJECTION			
		▽=0 C=0	mm INCH	----	----	----	2:1	INCH	TITLE MINI-CHANGE TEE 4 POLE MA/FE W/FE DROP		
		4 PLACES ±---- ±---- 3 PLACES ±---- ±---- 2 PLACES ±---- ±---- 1 PLACE ±---- ±----	ANGULAR ±1/2°	DRAWN BY LHARTMAN	DATE 2008/10/27	CHECKED BY VOU	DATE 2008/10/27	APPROVED BY JFMURPHY			
		DRAFT WHERE APPLICABLE MUST REMAIN WITHIN DIMENSIONS		SEE TABLE		MATERIAL NO.		DOCUMENT NO.		SHEET NO.	
		SIZE C		THIS DRAWING CONTAINS INFORMATION THAT IS PROPRIETARY TO MOLEX INCORPORATED AND SHOULD NOT BE USED WITHOUT WRITTEN PERMISSION							