



Chipsmall Limited consists of a professional team with an average of over 10 year of expertise in the distribution of electronic components. Based in Hongkong, we have already established firm and mutual-benefit business relationships with customers from,Europe,America and south Asia,supplying obsolete and hard-to-find components to meet their specific needs.

With the principle of “Quality Parts,Customers Priority,Honest Operation,and Considerate Service”,our business mainly focus on the distribution of electronic components. Line cards we deal with include Microchip,ALPS,ROHM,Xilinx,Pulse,ON,Everlight and Freescale. Main products comprise IC,Modules,Potentiometer,IC Socket,Relay,Connector.Our parts cover such applications as commercial,industrial, and automotives areas.

We are looking forward to setting up business relationship with you and hope to provide you with the best service and solution. Let us make a better world for our industry!



Contact us

Tel: +86-755-8981 8866 Fax: +86-755-8427 6832

Email & Skype: info@chipsmall.com Web: www.chipsmall.com

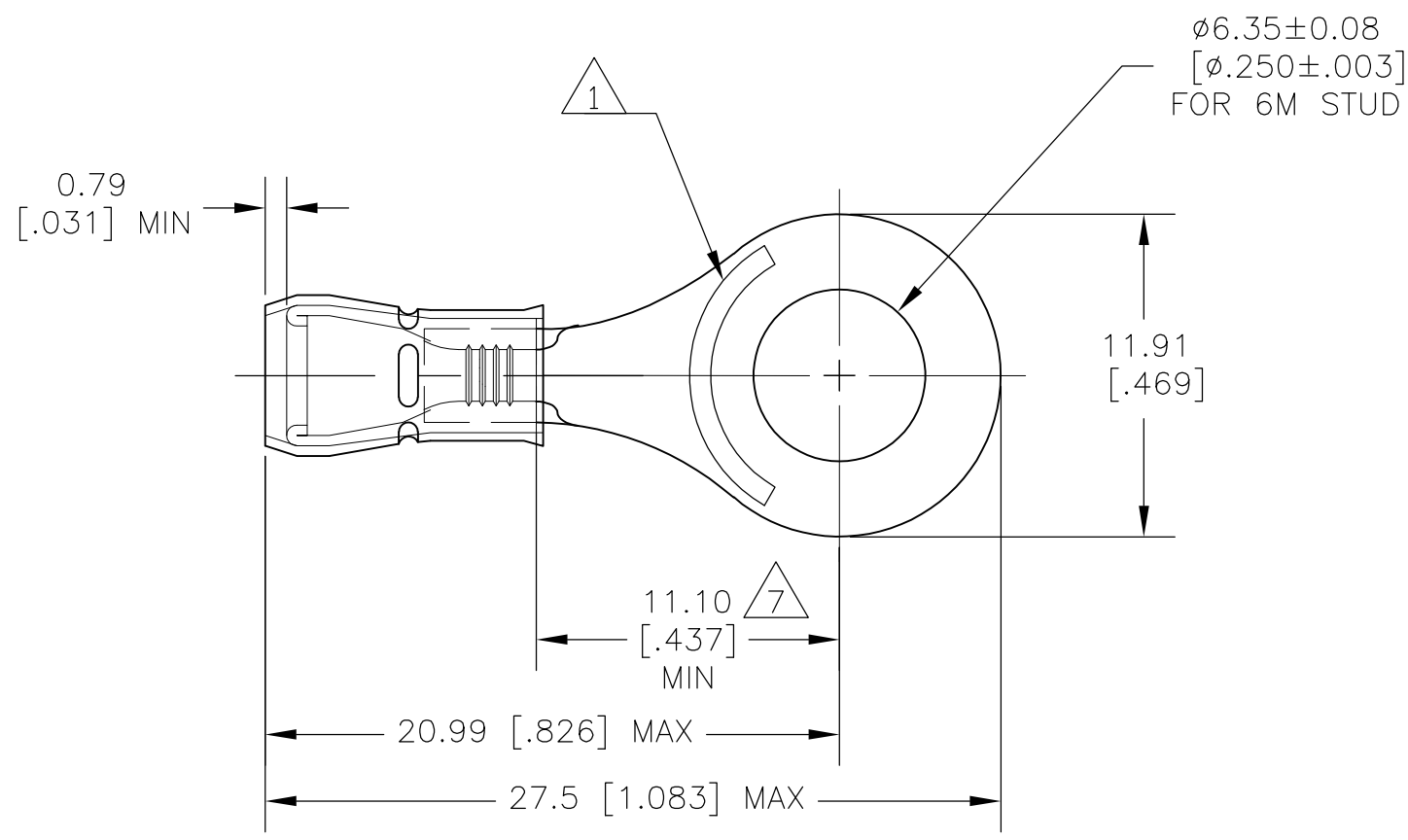
Address: A1208, Overseas Decoration Building, #122 Zhenhua RD., Futian, Shenzhen, China



THIS DRAWING IS UNPUBLISHED. RELEASED FOR PUBLICATION
 © COPYRIGHT - By - ALL RIGHTS RESERVED.

LOC	DIST	REVISIONS			
P	LTR	DESCRIPTION	DATE	DWN	APVD
G	02	H1	REVISED PER ECO-11-004917	11MAR11	RK HMR

AMP
WIRE RANGE
22-16 AWG
SOLID OR STRANDED



- 1 STAMP "AMP 22-18*" APPROX AS SHOWN, 22-16 TERMINALS ARE STAMPED 22-18 IN ACCORDANCE WITH MILITARY SPECIFICATION MIL-T-7928, COMMERCIAL WIRE RANGE IS 22-16.
- 2 MATERIAL: TERMINAL & SLEEVE- COPPER PER ASTM B-152, ANNEALED. INSULATION - NYLON, COLOR RED
- 3 FINISH: TERMINAL & SLEEVE- 0.00254 [0.00100] MIN TIN PLATE PER ASTM B-545
- 4 FINISH: TERMINAL & SLEEVE- TIN PLATE PER SNCF REQUIREMENTS
- 5 WIRE INSULATION DIA 2.7-3.6 [.105-.140]
- 6 TONGUE MATERIAL THK: 0.79±0.05 [.031±.002]
- 7 DIMENSION APPLIES FROM EDGE OF WIRE BARREL TO CENTER OF STUD HOLE.
- 8 MAX RECOMMENDED OPERATING TEMP 105°C [221°F]
- 9 VOLTAGE RATING IS 300 V MAX
- 10 0.26-1.65mm² [509-3,260] CMA, STRANDED

SUPERSEDED BY 130046	1000	LOOSE PIECE	4	130046-1
	1000	LOOSE PIECE	3	130046
	QTY	PACKAGING TYPE	FINISH	PART NO

THIS DRAWING IS A CONTROLLED DOCUMENT.		DWN jr_ruth 28OCT09	STE TE Connectivity	
DIMENSIONS: mm[INCHES]		CHK T MICHIELUTTI 28OCT09		
TOLERANCES UNLESS OTHERWISE SPECIFIED:		APVD T MICHIELUTTI 28OCT09	NAME TERMINAL, RING TONGUE, PIDG, WIRE SIZE, 22-16 AWG	
0 PLC ± - 1 PLC ± - 2 PLC ± - 3 PLC ± 0.20 [.008] 4 PLC ± - ANGLES ± -		PRODUCT SPEC -	APPLICATION SPEC -	
MATERIAL 2	FINISH SEE TABLE	WEIGHT -	SIZE A3	CAGE CODE 00779
CUSTOMER DRAWING			DRAWING NO C-130046	RESTRICTED TO -
			SCALE 4:1	SHEET 1 of 1
			REV H1	