



Chipsmall Limited consists of a professional team with an average of over 10 year of expertise in the distribution of electronic components. Based in Hongkong, we have already established firm and mutual-benefit business relationships with customers from,Europe,America and south Asia,supplying obsolete and hard-to-find components to meet their specific needs.

With the principle of “Quality Parts,Customers Priority,Honest Operation,and Considerate Service”,our business mainly focus on the distribution of electronic components. Line cards we deal with include Microchip,ALPS,ROHM,Xilinx,Pulse,ON,Everlight and Freescale. Main products comprise IC,Modules,Potentiometer,IC Socket,Relay,Connector.Our parts cover such applications as commercial,industrial, and automotives areas.

We are looking forward to setting up business relationship with you and hope to provide you with the best service and solution. Let us make a better world for our industry!



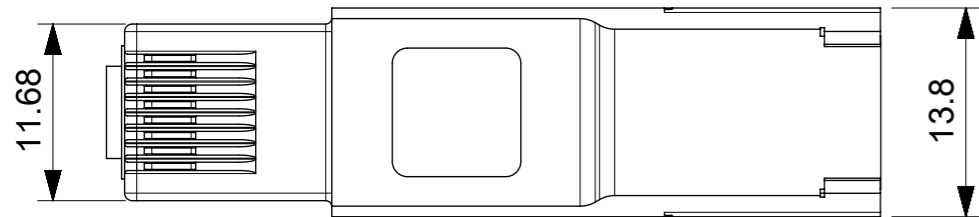
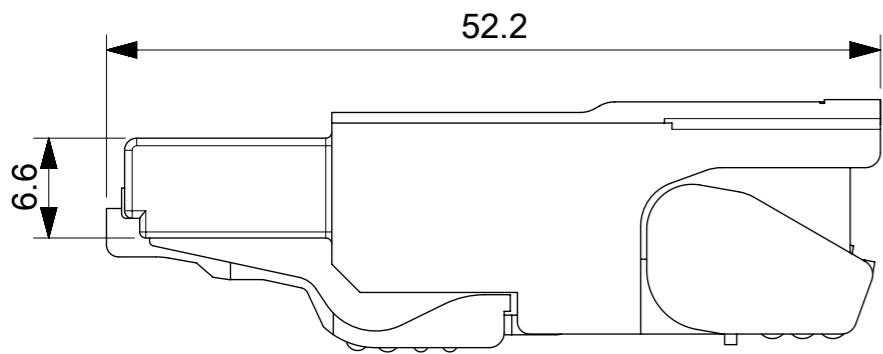
## Contact us

Tel: +86-755-8981 8866 Fax: +86-755-8427 6832

Email & Skype: info@chipsmall.com Web: www.chipsmall.com

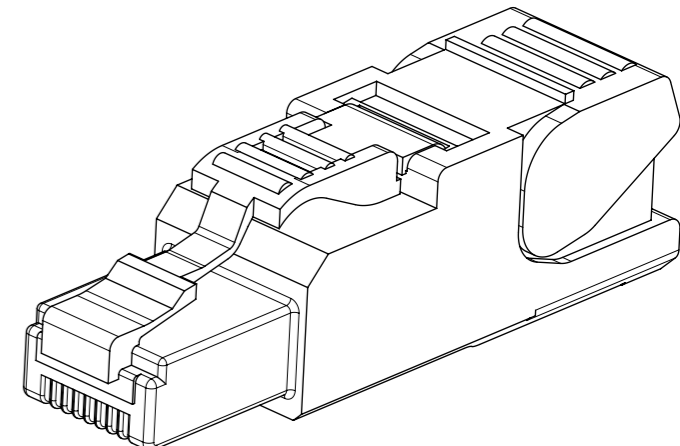
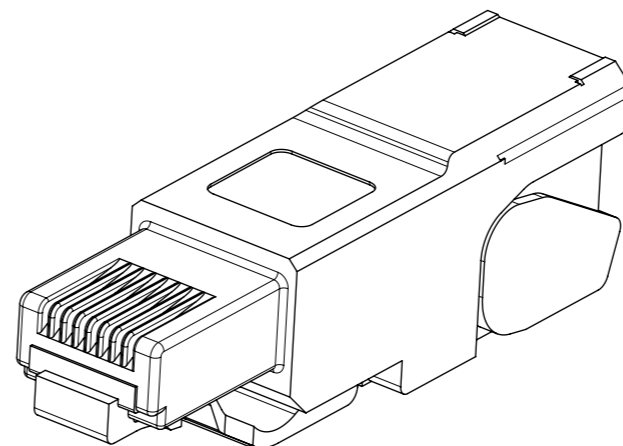
Address: A1208, Overseas Decoration Building, #122 Zhenhua RD., Futian, Shenzhen, China





Technische Daten/TECHNICAL DATA		
Steckverbinder-Norm	IEC 60603-7-51	CONNECTOR STANDARD
Mechanische Eigenschaften		MECHANICAL CHARACTERISTICS
Steckkraft	< 30 N	INSERTION FORCE
Lebensdauer	> 750	LIFE
Kabelabzugskraft	min. 50 N	CABLE TO PLUG TENSILE STRENGTH
Werkstoffe		MATERIALS
Steckergehäuse	Zinkdruckguß vernickelt / ZINC DIECAST Ni PLATED	CONNECTING HOUSING
Kontaktgehäuse	PC UL 94 V0 glasklar / CRYSTAL CLEAR	CONTACT HOUSING
Adernvorsortierung	PC UL94 V0 weiss / WHITE	WIRE PRESORTING
Kabelabfangung	PBT UL94 V0 schwarz / BLACK	STRAIN RELIEF LEVER
Verriegelungshebel, Staubschutzkappe	PBT UL94 V0 schwarz / BLACK	HOOK, PROTECTION CAP
Leiterplatte	FR4 UL94 V0	PCB
Durchdring-Kontakte	Phosphor Bronze, min. 3...6 µm Sn	PIERCING CONTACTS
Schirmkontoakt	Messing / BRASS 2,5µm N1	SHIELD CONTACT
Kontakte	Federstahl / SPRING STEEL 0,8 µm Au; 1,2 µm Ni	CONTACTS
Richtlinie 2011/65/EU (RoHS)	RoHS-komnform / RoHS-COMPLIANT	DIRECTIVE 2001/65/EU (RoHS)
Adernanschluss		WIRE CONNECTION
Cu-Leiterdurchmesser	Massiv / SOLID 0,51 - 0,64 mm AWG24 - AWG 22/1 Litze / STRANDED 0,46 - 0,76 mm AWG27 - AWG22/7 *Litze / STRANDED 0,61 - 0,78 mm AWG24-AWG22/19	Cu-CONDUCTOR DIAMETER
Aderndurchmesser	1,0 - 1,6 mm	CORE DIAMETER
Kabeldurchmesser	5,0 - 9,0 mm	CABLE DIAMETER

Anschluss / CONNECTION		Anwendung / APPLICATION					
Farbcode / COLOUR OF CODE T568		Profinet	RJ45 PIN Nr./NO.	10 BT / 100 BT	1 Gigabit/ 10 Gigabit Ethernet	Token Ring ISDN/So	Upo / TEL
A	B						
W - G	W - O	YE	1	•	•		
G	O	OG	2	•	•		
W - O	W - G	WH	3	•	•	•	
BL	BL	-	4		•	•	•
W - BL	W - BL	-	5		•	•	•
O	G	BU	6	•	•	•	
W - BR	W - BR	-	7		•		
BR	BR	-	8		•		



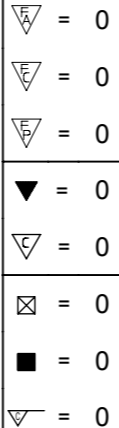

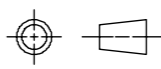
ENG.-NO: E6AS06-5

THIS DRAWING CONTAINS INFORMATION THAT IS PROPRIETARY TO MOLEX INCORPORATED AND SHOULD NOT BE USED WITHOUT WRITTEN PERMISSION												
QUALITY SYMBOLS ▽ = 0 ▽ = 0 ▽ = 0 ▽ = 0 ▽ = 0 ▽ = 0 ▽ = 0 ▽ = 0 ▽ = 0	EC DESCRIPTION EC NO: 104097 DRWN: KGRUEDL CHK'D: CBRUNS REV: A	2015/11/25 2016/04/07	GENERAL TOLERANCES (UNLESS SPECIFIED)		DIMENSION UNITS	SCALE	 FA RJ45 CAT6A 8P MA STR SHLD IPC AWG22					
			ANGULAR TOL ± 1.0 °		MM	2:1						
			4 PLACES ±	3 PLACES ±	KGRUEDL	2015/11/25						
			2 PLACES ± 0.05	1 PLACE ± 0.3	CHK'D BY	DATE						
0 PLACES ± 0.5	DRAFT WHERE APPLICABLE MUST REMAIN WITHIN DIMENSIONS	APPR BY	DATE	PRODUCT CUSTOMER DRAWING								
								SERIES	MATERIAL NUMBER	CUSTOMER		
								130047	SEE TABLE 1			
								DOCUMENT NUMBER		DOC TYPE	DOC PART	SHEET NUMBER
								1300478008		PSD	000	1 OF 2

Technische Daten/TECHNICAL DATA		
Umweltanforderungen		EINVIROMENTAL REQUIREMENTS
Schutz vor Eindringen		PROTECTION AGAINST INGRESS
Eindringen von Teilchen / Wasser / Untertauchen	IP20	PARTICULATE INGRESS/ WATER/IMMERSION
Klimatisch und chemisch		CLIMATICAL AND CHEMICAL
Umgebungstemperatur	-40°C bis / TO +85°C	AMBIENT TEMPERATURE
Elektrische Eigenschaften		ELECTRICAL CHARACTERISTICS
Kontaktwiderstand	≤ 20 mΩ	CONTACT RESISTANCE
Isolationswiderstand	≥ 500MΩ	INSULATION RESISTANCE
Spannungsfestigkeit		VOLTAGE PROOF
Kontakt-Kontakt	≥ 1000 V, DC	CONTACT-CONTACT
Kontakt-Schirm	≥ 1500 V, DC	CONTACT-SHIELD
Strombelastbarkeit bei 50°C	1 A	CURRENT CARRYING CAPACITY AT 50°C
PoE+ gemäß IEEE 802.3at	Geeignet für Power of Ethernet+ ADEQUATE FOR POWER OVER ETHERNET+	POE+ ACCORDING TO IEEE 802.3AT
Übertragungstechnische Eigenschaften**		TRANSMISSION PERFORMANCE **
10 Gigabit Ethernet gemäß IEEE 802.3an	Geeignet für 10 Gigabit Ethernet ADEQUATE FOR 10 GIGABIT ETHERNET	10 GIGABIT ETHERNET ACC. TO IEEE 802.3AN
Kategorie 6A	ISO/IEC 11801; DIN EN 50173 - 1	CATEGORY 6A
Klasse EA	ISO/IEC 11801; DIN EN 50173 - 1	CLASS 6A
Kategorie 6A	ANSI/ITA/EIA-568-C.2	CATEGORY 6A
Normen		STANDARDS
IP-Schutzarten	IEC 60529	DEGREES OF PROTECTION PROVIDED BY ENCLOSURES (IP CODE)
Anwendungsneutrale Kommunikationsanlagen	ANSI/TIA/EIA-568-C.2;ISO/IEC 11801; DIN EN 50173-1	GENERIC CABLE SYSTEMS
Zulassung		APPROVAL
UL-gelistet	E244889	UL LISTED

TABLE 1

MATERIAL NO. / Material Nr.	DESCRIPTION / Bezeichnung	AWG / Litzenquerschnitt
1300478008	FA RJ45 CAT6A 8P MA STR SHLD IPC AWG22	AWG24 - AWG22/1 / AWG27 - AWG22/7
1300478010	FA RJ45 CAT6A 8P MA STR SHLD IPC AWG26	AWG26 - AWG24/1 / AWG27 - AWG24/7

THIS DRAWING CONTAINS INFORMATION THAT IS PROPRIETARY TO MOLEX INCORPORATED AND SHOULD NOT BE USED WITHOUT WRITTEN PERMISSION													
<b>QUALITY SYMBOLS</b> 	<b>EC DESCRIPTION</b> EC NO: 104097 DRWN: KGRUEDL CHK'D: APPR: CBRUNS	2015/11/25 2016/04/07	GENERAL TOLERANCES (UNLESS SPECIFIED)		DIMENSION UNITS	SCALE	 FA RJ45 CAT6A 8P MA STR SHLD IPC AWG22						
			ANGULAR TOL ± 1.0 °		MM	1:1							
			4 PLACES ±	3 PLACES ±	DRWN BY	DATE							
			2 PLACES ± 0.05	1 PLACE ± 0.3	KGRUEDL	2015/11/25							
			0 PLACES ± 0.5	0 PLACES ± 0.5	CHK'D BY	DATE	PRODUCT CUSTOMER DRAWING						
			DRAFT WHERE APPLICABLE MUST REMAIN WITHIN DIMENSIONS		APPR BY	DATE	SERIES	MATERIAL NUMBER	CUSTOMER				
					CBRUNS	2016/04/07	130047	SEE TABLE 1					
					DRAWING SIZE	THIRD ANGLE PROJECTION	DOCUMENT NUMBER		DOC TYPE	DOC PART	SHEET NUMBER		
					A3		1300478008		PSD	000	2 OF 2		