

Chipsmall Limited consists of a professional team with an average of over 10 year of expertise in the distribution of electronic components. Based in Hongkong, we have already established firm and mutual-benefit business relationships with customers from,Europe,America and south Asia,supplying obsolete and hard-to-find components to meet their specific needs.

With the principle of “Quality Parts,Customers Priority,Honest Operation,and Considerate Service”,our business mainly focus on the distribution of electronic components. Line cards we deal with include Microchip,ALPS,ROHM,Xilinx,Pulse,ON,Everlight and Freescale. Main products comprise IC,Modules,Potentiometer,IC Socket,Relay,Connector.Our parts cover such applications as commercial,industrial, and automotives areas.

We are looking forward to setting up business relationship with you and hope to provide you with the best service and solution. Let us make a better world for our industry!



Contact us

Tel: +86-755-8981 8866 Fax: +86-755-8427 6832

Email & Skype: info@chipsmall.com Web: www.chipsmall.com

Address: A1208, Overseas Decoration Building, #122 Zhenhua RD., Futian, Shenzhen, China

6

5

4

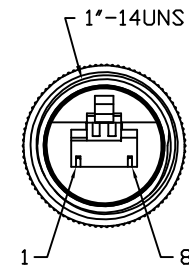
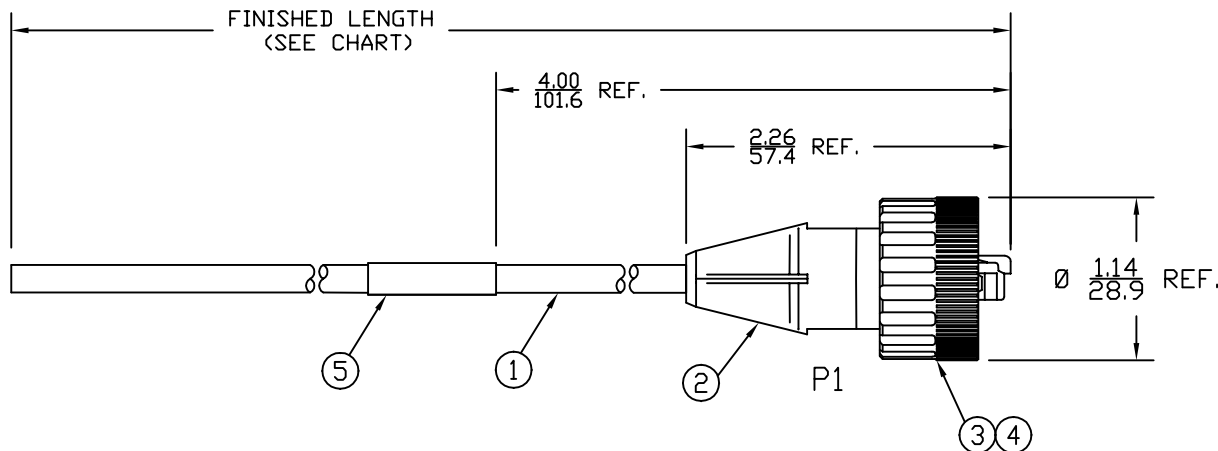
3

2

1

MATERIAL NUMBER	ENGINEERING NO.	LENGTH ± TOLERANCE
1300500162	ENP3105M010	3' 3" +2.19"/-0" [1M +55.6/-0 mm]
1300500166	ENP3105M050	16' 4" +6.50"/-0" [5M +165.1/-0 mm]

AUX VIEW
SCALE 1:4



MALE - FACE VIEW

P1	
WHITE/DRG	1
ORANGE	2
WHITE/GRN	3
BLUE	4
WHITE/BLUE	5
GREEN	6
WHITE/BROWN	7
BROWN	8
SHIELD	SHLD

WIRING DIAGRAM

NOTES:

- 1) MATERIAL: SEE TABLE
- 2) FINISHES: SEE TABLE
- 3) CABLE: #26/8 SHIELDED TWISTED PAIR, PUR
- 4) ELECTRICAL DATA:
ACCORDING TO CAT5e ETHERNET STANDARD
MAX. VOLTAGE: 30V
MAX. CURRENT 1.5A
- 5) ENVIRONMENTAL:
PROTECTION IP67
TEMPERATURE RANGE: -20°C TO +80°C
- 6) WRAP LABEL IS MARKED WITH P/N & DATE CODE.
- 7) ASSEMBLY IS RoHS COMPLIANT.

ITEM	QTY.	DESCRIPTION	MATERIAL	FINISH
5	1	LABEL	PLASTIC FILM	BLACK/YELLOW
4	1	RJ45 PLUG	POLYCARBONATE	CLEAR
3	1	COUPLING NUT	ASA	BLACK
2	1	OVERMOLD	PUR	BLACK
1	1	ETHERNET CABLE-CAT5E	PUR JACKET	BLACK

SD RELEASE EC NO: WNA2010-0016 7/15/09 DRWN: VOU CHKD: BWOODMAN APPR: JFMURPHY 2009/08/10	REV 1	QUALITY SYMBOLS ▽=0 ▽C=0	GENERAL TOLERANCES (UNLESS SPECIFIED)		DIMENSION STYLE IN/MM	SCALE 3:4	DESIGN UNITS INCH	THIRD ANGLE PROJECTION	
			4 PLACES	mm	INCH	DRAWN BY VOU	DATE 2009/07/15		TITLE INDUSTRIAL ETHERNET ASSY 8P MALE 568B WIRING #26/8 SHIELDED CABLE
			3 PLACES	±----	±.005	CHECKED BY BWOODMAN	DATE 2009/07/31		
			2 PLACES	±----	±.010	APPROVED BY	DATE		MOLEX INCORPORATED
1 PLACE	±----	±.020	MATERIAL NO. SEE CHART		DOCUMENT NO. SD-130050-002	SHEET NO. 1 OF 1			
ANGULAR ±1/2°			DRAFT WHERE APPLICABLE MUST REMAIN WITHIN DIMENSIONS		SIZE A	THIS DRAWING CONTAINS INFORMATION THAT IS PROPRIETARY TO MOLEX INCORPORATED AND SHOULD NOT BE USED WITHOUT WRITTEN PERMISSION			

6

5

4

3

2

1

E

E

D

D

C

C

B

B

A

A