



Chipsmall Limited consists of a professional team with an average of over 10 year of expertise in the distribution of electronic components. Based in Hongkong, we have already established firm and mutual-benefit business relationships with customers from,Europe,America and south Asia,supplying obsolete and hard-to-find components to meet their specific needs.

With the principle of “Quality Parts,Customers Priority,Honest Operation,and Considerate Service”,our business mainly focus on the distribution of electronic components. Line cards we deal with include Microchip,ALPS,ROHM,Xilinx,Pulse,ON,Everlight and Freescale. Main products comprise IC,Modules,Potentiometer,IC Socket,Relay,Connector.Our parts cover such applications as commercial,industrial, and automotives areas.

We are looking forward to setting up business relationship with you and hope to provide you with the best service and solution. Let us make a better world for our industry!



## Contact us

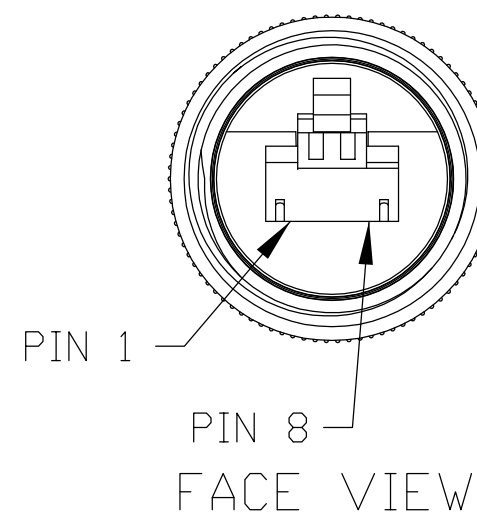
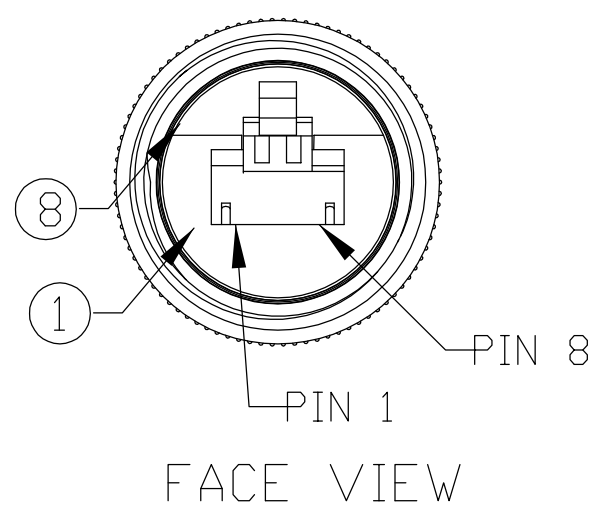
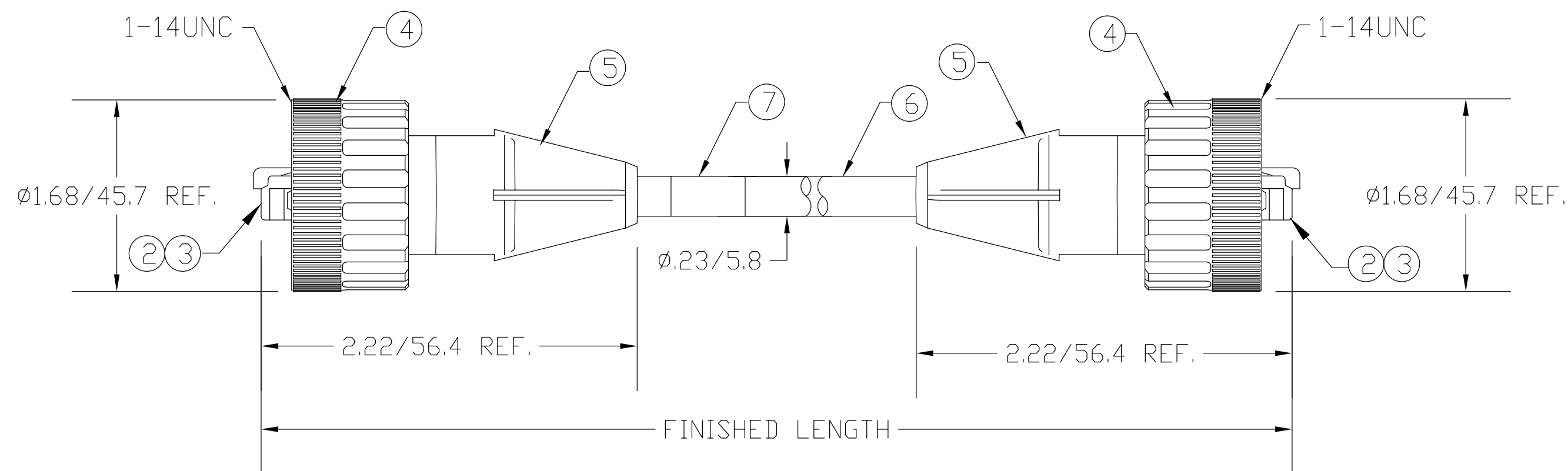
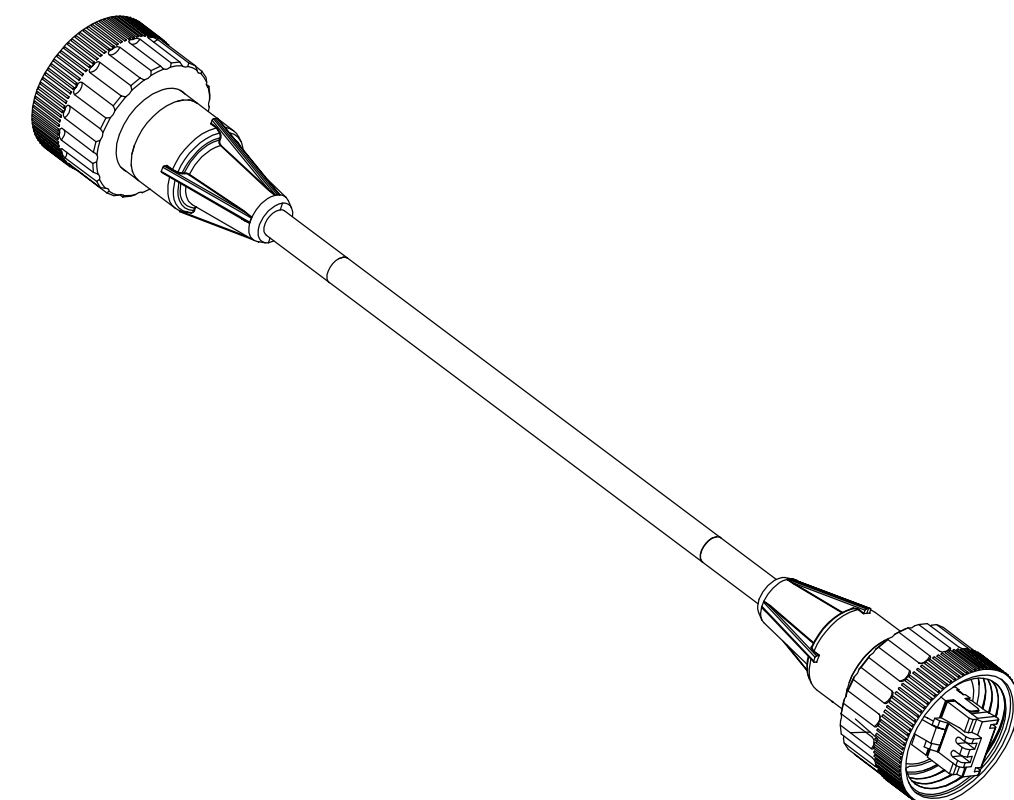
Tel: +86-755-8981 8866 Fax: +86-755-8427 6832

Email & Skype: info@chipsmall.com Web: www.chipsmall.com

Address: A1208, Overseas Decoration Building, #122 Zhenhua RD., Futian, Shenzhen, China



MATERIAL NUMBER	OLD PART NUMBER	FINISHED LENGTH
130050-0412	ENS3115M010	3.28' +2.19" -0 [1.0M +55.6 -0]
130050-0413	ENS3115M020	6.56' +3.50" -0 [2.0M +88.9 -0]
130050-0414	ENS3115M030	9.84' +3.50" -0 [3.0M +88.9 -0]
130050-0415	ENS3115M040	13.12' +6.50" -0 [4.0M +165.1 -0]
130050-0416	ENS3115M050	16.40' +6.50" -0 [5.0M +165.1 -0]



1	WHITE/ORANGE	1
2	ORANGE	2
3	WHITE/GREEN	3
4	BLUE	4
5	WHITE/BLUE	5
6	GREEN	6
7	WHITE/BROWN	7
8	BROWN	8
SHD	DRAIN WIRE	SHD

WIRING DIAGRAM

ITEM	COMPONENT	MATERIAL	FINISH
1	INSERT	ABS	BLACK
2	CONTACT SOCKET	COPPER ALLOY	GOLD OVER NICKEL
3	CONTACT HOUSING	POLYCARBONATE	CLEAR
4	COUPLING NUT	ABS	BLACK
5	OVERMOLD	PUR	BLACK
6	CABLE- 24AWG, (SOLID COPPER), 4 TWISTED PAIRS, CAT5e, SHIELDED	PUR	BLACK
7	LABEL	PLASTIC FILM	CLEAR/YELLOW
8	O-RING	VITON	BLACK

VOLTAGE RATING	125 VDC
AMPERAGE RATING	1.5 AMPS
PROTECTION	IP67
OPERATING TEMPERATURE	-20°C TO 80°C

RLSO DRAWING EC NO: WNA2009-0659 DRWN: BWOODMAN 4/3/09 CH'KD: JM APPR: JFMURPHY 2009/04/17	DESCRIPTION REV A	<b>QUALITY SYMBOL</b> $\nabla=0$ $\triangle C=0$	<b>GENERAL TOLERANCES (UNLESS SPECIFIED)</b> <table border="1"> <thead> <tr> <th></th> <th>mm</th> <th>INCH</th> </tr> </thead> <tbody> <tr> <td>4 PLACES</td> <td>±----</td> <td>±----</td> </tr> <tr> <td>3 PLACES</td> <td>±----</td> <td>±----</td> </tr> <tr> <td>2 PLACES</td> <td>±----</td> <td>±.01</td> </tr> <tr> <td>1 PLACE</td> <td>±0.3</td> <td>±----</td> </tr> </tbody> </table>		mm	INCH	4 PLACES	±----	±----	3 PLACES	±----	±----	2 PLACES	±----	±.01	1 PLACE	±0.3	±----	<b>DIMENSION STYLE</b> IN/MM DRAWN BY: BW DATE: 2009/04/03 CHECKED BY: TW DATE: 2009/04/03 APPROVED BY: DATE:	<b>SCALE</b> ---- <b>DESIGN UNITS</b> ----	<b>THIRD ANGLE PROJECTION</b>
			mm	INCH																	
		4 PLACES	±----	±----																	
		3 PLACES	±----	±----																	
2 PLACES	±----	±.01																			
1 PLACE	±0.3	±----																			
<b>DRAFT WHERE APPLICABLE MUST REMAIN WITHIN DIMENSIONS</b>			<b>SEE CHART</b>	<b>MOLEX</b>	<b>TITLE</b> RJ-LNXX CORDSET MALE/MALE TIA-568B PUR CABLE	<b>SHEET NO.</b> 1 OF 1															
<b>SIZE C</b>			THIS DRAWING CONTAINS INFORMATION THAT IS PROPRIETARY TO MOLEX INCORPORATED AND SHOULD NOT BE USED WITHOUT WRITTEN PERMISSION																		
<b>MATERIAL NO.</b> SEE CHART			<b>DOCUMENT NO.</b> SD-130050-001		<b>OPERATING TEMPERATURE</b> -20°C TO 80°C																