



Chipsmall Limited consists of a professional team with an average of over 10 year of expertise in the distribution of electronic components. Based in Hongkong, we have already established firm and mutual-benefit business relationships with customers from,Europe,America and south Asia,supplying obsolete and hard-to-find components to meet their specific needs.

With the principle of “Quality Parts,Customers Priority,Honest Operation,and Considerate Service”,our business mainly focus on the distribution of electronic components. Line cards we deal with include Microchip,ALPS,ROHM,Xilinx,Pulse,ON,Everlight and Freescale. Main products comprise IC,Modules,Potentiometer,IC Socket,Relay,Connector.Our parts cover such applications as commercial,industrial, and automotives areas.

We are looking forward to setting up business relationship with you and hope to provide you with the best service and solution. Let us make a better world for our industry!



Contact us

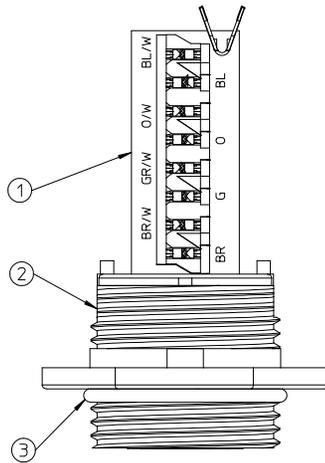
Tel: +86-755-8981 8866 Fax: +86-755-8427 6832

Email & Skype: info@chipsmall.com Web: www.chipsmall.com

Address: A1208, Overseas Decoration Building, #122 Zhenhua RD., Futian, Shenzhen, China

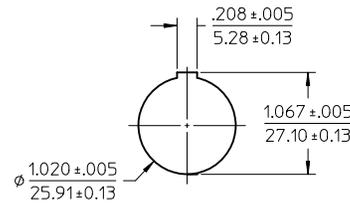


MATERIAL NO.	ENG. NO.
1300530002	ENDR2FB5

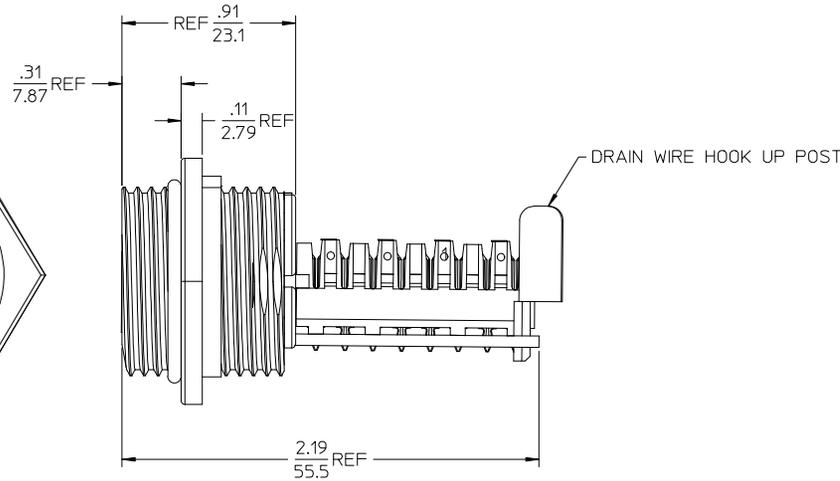
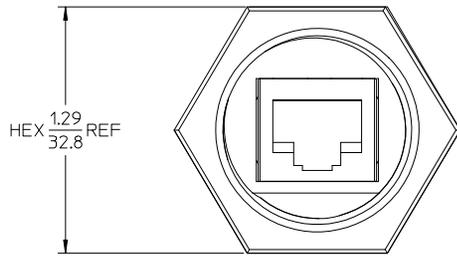
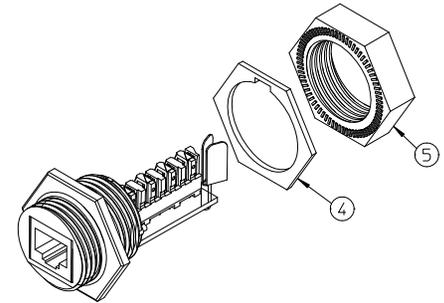


LEGEND

- BL/W BLUE/WHITE
- BL BLUE
- O/W ORANGE/WHITE
- O ORANGE
- G/W GREEN WHITE
- G GREEN
- BR/W BROWN/WHITE
- BROWN BROWN



PANEL CUT OUT
 PANEL THK: .125 MAX. W/GASKET
 .187 MAX. W/OUT GASKET
 .062 MIN.



NOTES:

- 1) MATERIAL: SEE TABLE
- 2) FINISHES: SEE TABLE
- 3) LABEL IS MARKED WITH P/N, BAR CODE, DESCRIPTION
- 4) MATES WITH: RJ45 CORDSET
- 5) ELECTRICAL DATA:
 FIELD WIRING TO PCB: 8 THRU HOLES, PLUS SHIELD
 MAX. VOLTAGE: 125V DC
 MAX. CURRENT 1.5A
 PROTECTION IP67
 TEMPERATURE RANGE: -20°C TO 80°C
 CSA & UL
- 6) PACKAGING:
 ASSEMBLIES ARE BAGGED SEPERATELY
 IN POLY BAGS WITH BAR CODE LABEL ATTACHED
 TO OUTSIDE OF BAG.
- 7) ASSEMBLY IS RoHS COMPLIANT.

SALES DRAWING

ITEM	QTY.	DESCRIPTION	MATERIAL	FINISH
5	1	HEX NUT	LNP	BLACK
4	1	BULKHEAD GASKET	NITRILE	BLACK
3	1	O RING	VITON	BROWN
2	1	HOUSING	ABS	BLACK
1	1	RJ45 W/PCB SUB ASSY.	---	---

MODIFIED CUTOUT EC NO: WNA2012-0069 DRWNG: J02WIK 2011/07/29 CHKD: BWOODMAN 2011/07/29 APPR: JFMURPHY 2011/08/13	QUALITY SYMBOLS
	=0 =0
	DESCRIPTION
	REV

GENERAL TOLERANCES (UNLESS SPECIFIED)

	mm	INCH
4 PLACES	± .005	± .0005
3 PLACES	± .005	± .0005
2 PLACES	± .005	± .0005
1 PLACE	± .005	± .0005

ANGULAR ±1/2°

DRAFT WHERE APPLICABLE
 MUST REMAIN WITHIN DIMENSIONS

DIMENSION STYLE		SCALE	DESIGN UNITS	THIRD ANGLE PROJECTION
IN/MM		2:1	INCH	
DRAWN BY	DATE	TITLE		
BRUPERT	04/16/09	ENET FR BPM, 568A SHD PUNCHDOWN		
CHECKED BY	DATE	MATERIAL NO.		
BWOODMAN	04/16/09	1300530002		
APPROVED BY	DATE	DOCUMENT NO.		
JMURPHY	04/16/09	SD-130053-002		
SIZE		SHEET NO.		
C		1 OF 1		

THIS DRAWING CONTAINS INFORMATION THAT IS PROPRIETARY TO MOLEX INCORPORATED AND SHOULD NOT BE USED WITHOUT WRITTEN PERMISSION