



Chipsmall Limited consists of a professional team with an average of over 10 year of expertise in the distribution of electronic components. Based in Hongkong, we have already established firm and mutual-benefit business relationships with customers from,Europe,America and south Asia,supplying obsolete and hard-to-find components to meet their specific needs.

With the principle of “Quality Parts,Customers Priority,Honest Operation,and Considerate Service”,our business mainly focus on the distribution of electronic components. Line cards we deal with include Microchip,ALPS,ROHM,Xilinx,Pulse,ON,Everlight and Freescale. Main products comprise IC,Modules,Potentiometer,IC Socket,Relay,Connector.Our parts cover such applications as commercial,industrial, and automotives areas.

We are looking forward to setting up business relationship with you and hope to provide you with the best service and solution. Let us make a better world for our industry!



Contact us

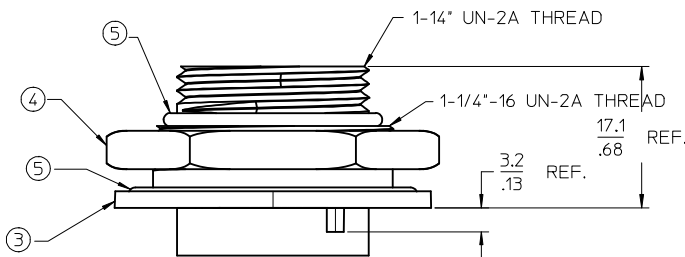
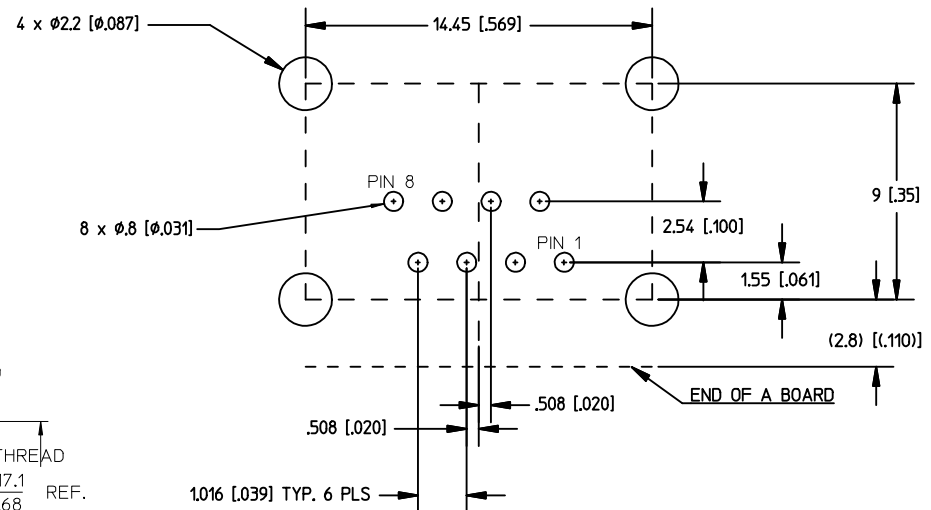
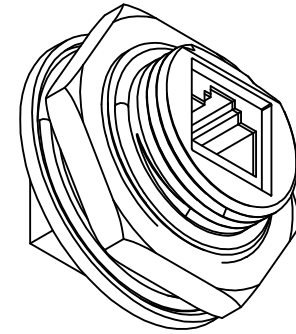
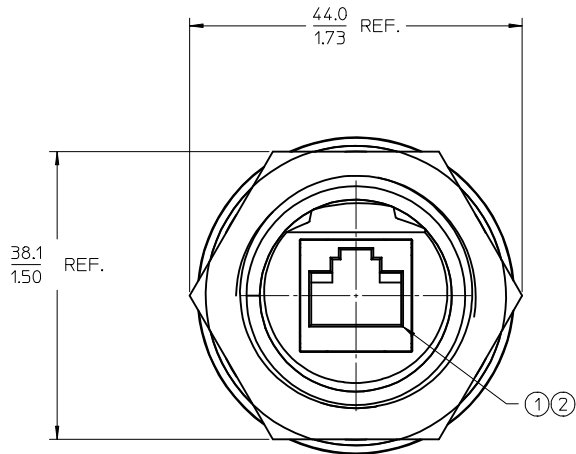
Tel: +86-755-8981 8866 Fax: +86-755-8427 6832

Email & Skype: info@chipsmall.com Web: www.chipsmall.com

Address: A1208, Overseas Decoration Building, #122 Zhenhua RD., Futian, Shenzhen, China



MATERIAL NUMBER	OLD PART NUMBER
1300530004	ENPR1FF5



BOARD MOUNTING DIMENSIONAL DRAWING
(CONNECTOR SIDE)

VOLTAGE RATING	125 VDC
AMPERAGE RATING	15 AMPS
PROTECTION	IP67
OPERATING TEMPERATURE	-20°C TO 80°C

ITEM	COMPONENT	MATERIAL	FINISH
1	CONTACT HOUSING	ABS	BLACK
2	CONTACT SOCKET	COPPER ALLOY	GOLD OVER NICKEL
3	RECEPTACLE SHELL	ABS	BLACK
4	COUPLING NUT	ABS	BLACK
5	O-RING	VITON	BLACK

ADDED MOUNTING HOLE PATTERN

EC NO: JGZ015-2173	2015/06/26	DRWNGGUSTAFSON
CHKD:BARDE	2015/08/05	2015/08/05
APPR: BWOODMAN	2015/07/08	
REV	DESCRIPTION	QUALITY SYMBOLS
		▽=0
		▽=0

GENERAL TOLERANCES (UNLESS SPECIFIED)	
mm	INCH
4 PLACES ± .13	± .005
3 PLACES ± .13	± .010
2 PLACES ± .13	± .010
1 PLACE ± .25	± .010
0 PLACE ± .25	± .010
ANGULAR ± .5°	
DRAFT WHERE APPLICABLE MUST REMAIN WITHIN DIMENSIONS	

DIMENSION STYLE		SCALE	DESIGN UNITS	THIRD ANGLE PROJECTION
MM ONLY		2:1	METRIC	
DRAWN BY	DATE	TITLE		
GGUSTAFSON	2015/06/26	RJ-LNXX RECEPTACLE PCB MOUNT - VERTICAL		
CHECKED BY	DATE	molex		
BARDE	2015/08/05	DOCUMENT NO. SD-130053-001		
APPROVED BY	DATE	SHEET NO. 1 OF 1		
BWOODMAN	2015/07/08			
MATERIAL NO.		THIS DRAWING CONTAINS INFORMATION THAT IS PROPRIETARY TO MOLEX INCORPORATED AND SHOULD NOT BE USED WITHOUT WRITTEN PERMISSION		
SEE CHART				