



Chipsmall Limited consists of a professional team with an average of over 10 year of expertise in the distribution of electronic components. Based in Hongkong, we have already established firm and mutual-benefit business relationships with customers from,Europe,America and south Asia,supplying obsolete and hard-to-find components to meet their specific needs.

With the principle of “Quality Parts,Customers Priority,Honest Operation,and Considerate Service”,our business mainly focus on the distribution of electronic components. Line cards we deal with include Microchip,ALPS,ROHM,Xilinx,Pulse,ON,Everlight and Freescale. Main products comprise IC,Modules,Potentiometer,IC Socket,Relay,Connector.Our parts cover such applications as commercial,industrial, and automotives areas.

We are looking forward to setting up business relationship with you and hope to provide you with the best service and solution. Let us make a better world for our industry!



## Contact us

Tel: +86-755-8981 8866 Fax: +86-755-8427 6832

Email & Skype: info@chipsmall.com Web: www.chipsmall.com

Address: A1208, Overseas Decoration Building, #122 Zhenhua RD., Futian, Shenzhen, China



6

5

4

3

2

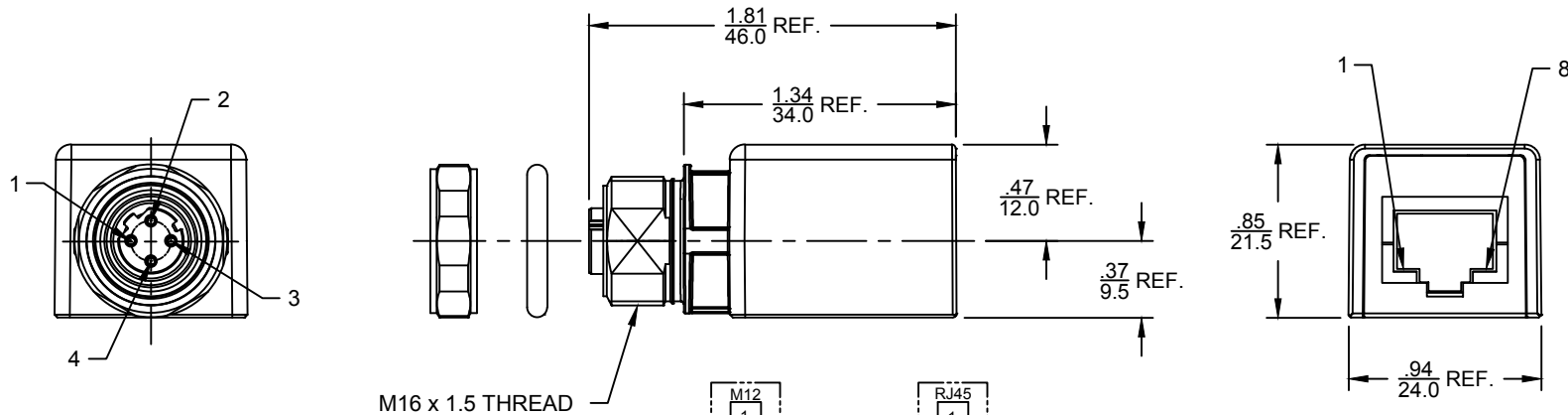
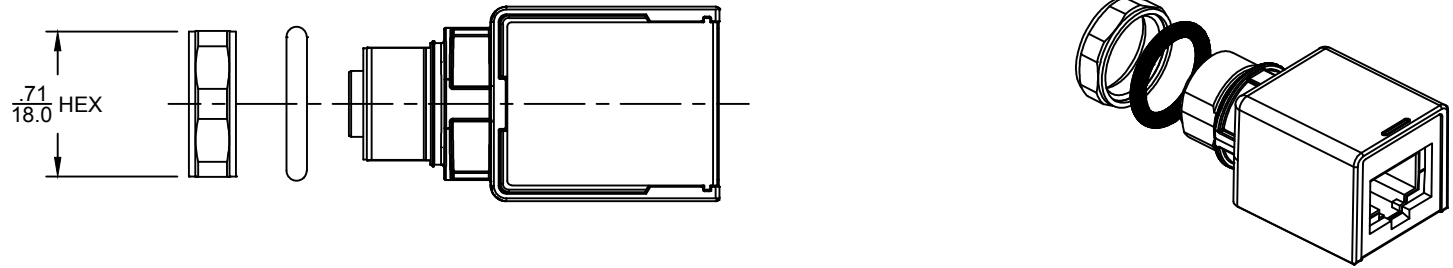
1

SAP P/N #

ENGINEERING P/N

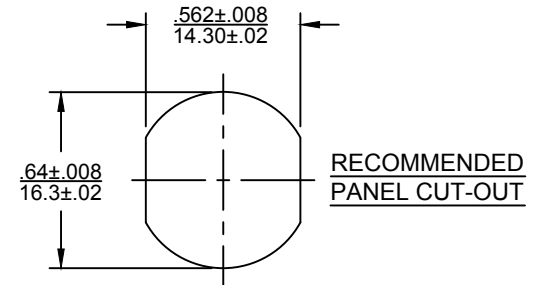
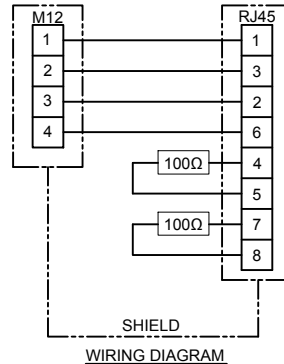
1300540031

ER1PADAPTER



## NOTES:

- 1) MATERIAL: SEE TABLE
- 2) FINISHES: SEE TABLE
- 3) ELECTRICAL DATA: CAT 5E
- 4) ENVIRONMENTAL:  
PROTECTION: M12 - IP65/IP67  
RJ45 - IP20  
TEMPERATURE: -5°C TO +60°C
- 5) ASSEMBLY IS RoHS COMPLIANT.



ITEM		QTY	DESCRIPTION	MATERIAL	FINISH	REV	DESCRIPTION	QUALITY SYMBOLS	GENERAL TOLERANCES (UNLESS SPECIFIED)		DIMENSION STYLE		SCALE	DESIGN UNITS	THIRD ANGLE PROJECTION	
											mm	INCH	IN	IN	NTS	INCH
6	1	BODY	NYLON	BLACK				▽=0	4 PLACES	±---	±---	DRAWN BY	DATE	TITLE		
5	4	SOCKET CONTACT	COPPER ALLOY	GOLD PLATED				∇=0	3 PLACES	±---	±---	MZIELINS	2016/05/16	D-CODED ADAPTER STRAIGHT		
4	1	OUTER O-RING	NITRILE	GREEN					2 PLACES	±---	±---	CHECKED BY	DATE	4P FEM M12 TO FEM RJ45		
3	1	INNER O-RING	VITON	GREEN					1 PLACE	±---	±---	RSTONE	2016/05/17	BACK PANEL MOUNT M16X1.5		
2	1	INSERT, D-CODE	NYLON	GRAY					ANGULAR ±---°							
1	1	SHELL	BRASS	NICKEL					DRAFT WHERE APPLICABLE MUST REMAIN WITHIN DIMENSIONS							
ITEM		QTY	DESCRIPTION	MATERIAL	FINISH	A	REV				SIZE	THIS DRAWING CONTAINS INFORMATION THAT IS PROPRIETARY TO MOLEX INCORPORATED AND SHOULD NOT BE USED WITHOUT WRITTEN PERMISSION				SHEET NO.
											A	SEE TABLE		MOLEX INCORPORATED		1 OF 1
												SD-130054-003				

6

5

4

3

2

1