



Chipsmall Limited consists of a professional team with an average of over 10 year of expertise in the distribution of electronic components. Based in Hongkong, we have already established firm and mutual-benefit business relationships with customers from,Europe,America and south Asia,supplying obsolete and hard-to-find components to meet their specific needs.

With the principle of "Quality Parts,Customers Priority,Honest Operation,and Considerate Service",our business mainly focus on the distribution of electronic components. Line cards we deal with include Microchip,ALPS,ROHM,Xilinx,Pulse,ON,Everlight and Freescale. Main products comprise IC,Modules,Potentiometer,IC Socket,Relay,Connector.Our parts cover such applications as commercial,industrial, and automotives areas.

We are looking forward to setting up business relationship with you and hope to provide you with the best service and solution. Let us make a better world for our industry!



Contact us

Tel: +86-755-8981 8866 Fax: +86-755-8427 6832

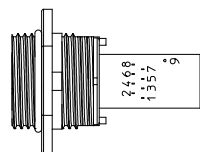
Email & Skype: info@chipsmall.com Web: www.chipsmall.com

Address: A1208, Overseas Decoration Building, #122 Zhenhua RD., Futian, Shenzhen, China

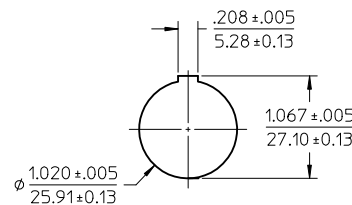
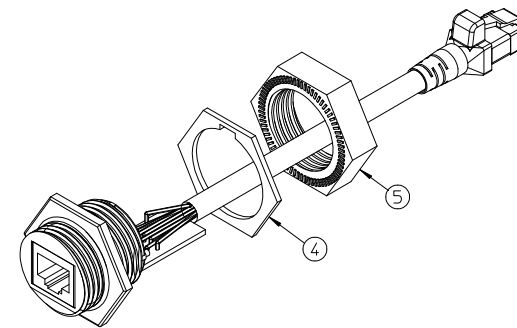
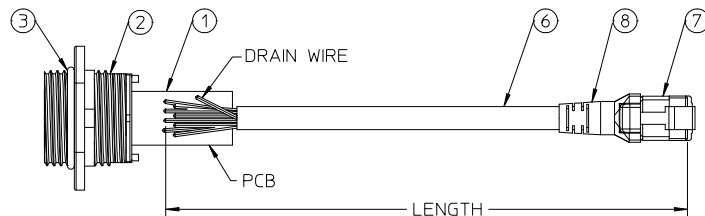


MATERIAL NO	ENGINEERING NO.	LENGTH	TOLERANCE
1300550002	ENSP1F5C305	30.5 CM (1.0 FT)	+1.9 -0 CM(+.75"-0)
1300550004	ENSP1F5M006	0.6 M (1.97 FT)	+4.4 -0 CM(+1.75"-0)
1300550005	ENSP1F5M010	1.0 M (3.28 FT)	+5.6 -0 CM(+2.19"-0)
1300550003	ENSP1F5C305-V	30.5 CM (1.0 FT)	+1.9 -0 CM(+.75"-0)
1300550006	ENSP1F5M010-V	1.0 M (3.28 FT)	+5.6 -0 CM(+2.19"-0)

- WIRE LIST
PIN (SAME FOR BOTH CONNECTORS)
- 1 WHT/BLU
 - 2 BLUE
 - 3 WHT/ORG
 - 4 GREEN
 - 5 WHT/GRN
 - 6 ORG
 - 7 WHT/BRN
 - 8 BRN
 - 9 GND



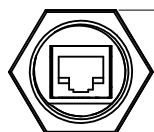
WIRING DIAGRAM
TOP VIEW OF PCB



PANEL CUT OUT
PANEL THK: .125 MAX. W/GASKET
.187 MAX. W/OUT GASKET
.062 MIN.

NOTES:

- 1) MATERIAL: SEE TABLE
- 2) FINISHES: SEE TABLE
- 3) LABEL IS MARKED WITH P/N, BAR CODE, DESCRIPTION
- 4) ELECTRICAL DATA:
WIRING TO PCB: 8 THRU HOLES, PLUS SHIELD
MAX. VOLTAGE: 125V DC
MAX. CURRENT 1.5A
PROTECTION IP67
TEMPERATURE RANGE: -20°C TO 80°C
CSA & UL
- 5) PACKAGING:
ASSEMBLIES ARE BAGGED SEPERATELY
IN POLY BAGS WITH BAR CODE LABEL ATTACHED
TO OUTSIDE OF BAG.
- 6) ASSEMBLY IS RoHS COMPLIANT.



ITEM 4 & 5 REMOVED FOR CLARITY

8	1	BOOT HOOD	POLYOLEFIN	BLACK
7	1	RJ45 PLUG 8 POS	---	---
6	1	CABLE 4T/P 26AWG 5e	PVC	BLACK
5	1	HEX NUT	LNP	BLACK
4	1	BULKHEAD GASKET	NITRILE	BLACK
3	1	O RING	VITON	BROWN
2	1	HOUSING	ABS	BLACK
1	1	RJ45 W/PCB SUB ASSY.	---	---
ITEM	QTY.	DESCRIPTION	MATERIAL	FINISH

REV	DESCRIPTION
B	MODIFIED CUTOUT EC NO: WNA2012-0069 DRWNK:J02WIK 2011/07/28 CHKD:WOODMAN 2011/07/28 APPR:JMURPHY 2011/08/13

QUALITY SYMBOLS
▽=0
▽=0

GENERAL TOLERANCES (UNLESS SPECIFIED)

	mm	INCH
4 PLACES	± .005	± .0005
3 PLACES	± .005	± .0005
2 PLACES	± .005	± .0005
1 PLACE	± .005	± .0005

ANGULAR ±1/2°

DRAFT WHERE APPLICABLE
MUST REMAIN
WITHIN DIMENSIONS

DIMENSION STYLE
IN/MM

DRAWN BY DATE
BRUPERT 04/16/09

CHECKED BY DATE
BWOODMAN 04/16/09

APPROVED BY DATE
JMURPHY 04/16/09

MATERIAL NO.
SEE CHART

SIZE
C

SCALE
1:1

DESIGN UNITS
INCH

THIRD ANGLE PROJECTION

TITLE
ENET FR/MP PASS
10T SHD

MOLEX MOLEX INCORPORATED

DOCUMENT NO.
SD-130055-002

SHEET NO.
1 OF 1

THIS DRAWING CONTAINS INFORMATION THAT IS PROPRIETARY TO MOLEX INCORPORATED AND SHOULD NOT BE USED WITHOUT WRITTEN PERMISSION