



Chipsmall Limited consists of a professional team with an average of over 10 year of expertise in the distribution of electronic components. Based in Hongkong, we have already established firm and mutual-benefit business relationships with customers from,Europe,America and south Asia,supplying obsolete and hard-to-find components to meet their specific needs.

With the principle of “Quality Parts,Customers Priority,Honest Operation,and Considerate Service”,our business mainly focus on the distribution of electronic components. Line cards we deal with include Microchip,ALPS,ROHM,Xilinx,Pulse,ON,Everlight and Freescale. Main products comprise IC,Modules,Potentiometer,IC Socket,Relay,Connector.Our parts cover such applications as commercial,industrial, and automotives areas.

We are looking forward to setting up business relationship with you and hope to provide you with the best service and solution. Let us make a better world for our industry!



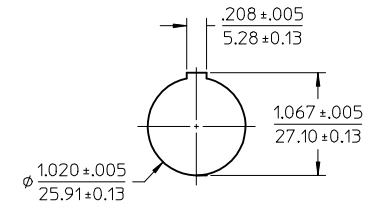
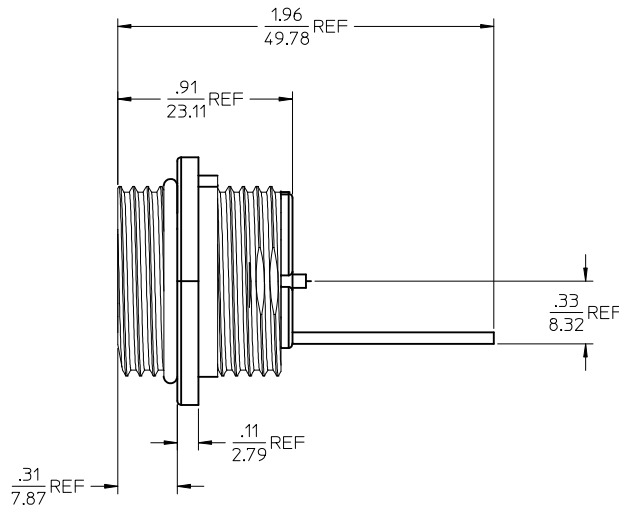
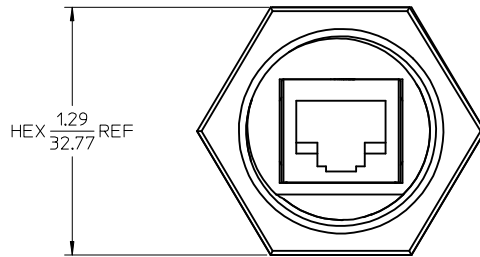
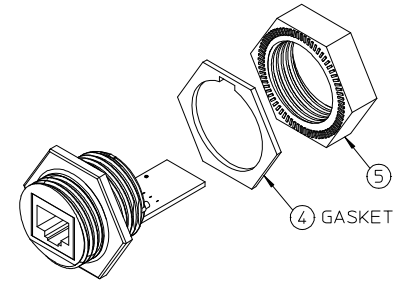
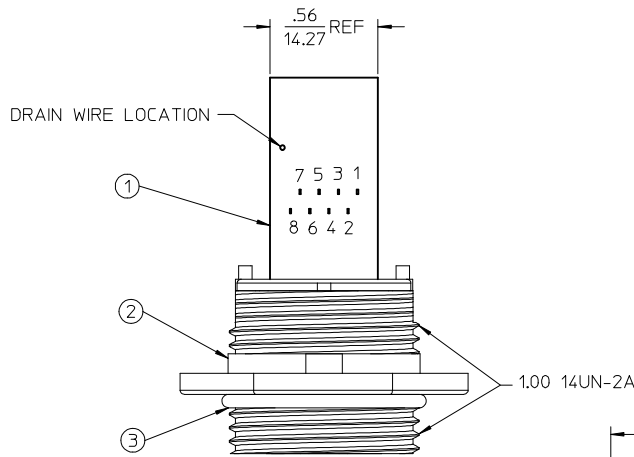
## Contact us

Tel: +86-755-8981 8866 Fax: +86-755-8427 6832

Email & Skype: info@chipsmall.com Web: www.chipsmall.com

Address: A1208, Overseas Decoration Building, #122 Zhenhua RD., Futian, Shenzhen, China





PANEL CUT OUT  
 PANEL THK: .125 MAX. W/GASKET  
 .187 MAX. W/OUT GASKET  
 .062 MIN.

ITEM 4 & 5 REMOVED FOR CLARITY

1	WHT/BLU
2	BLU/WHT
3	WHT/ORG
4	
5	
6	ORG/WHT
7	
8	DRAIN WIRE
GND	

WIRING DIAGRAM

SALES DRAWING

NOTES:

- MATERIAL: SEE TABLE
- FINISHES: SEE TABLE
- LABEL IS MARKED WITH P/N, BAR CODE, DESCRIPTION
- MATES WITH: RJ45 CORDSET
- ELECTRICAL DATA:  
 FIELD WIRING TO PCB: 8 THRU HOLES, PLUS SHIELD  
 MAX. VOLTAGE: 125V DC  
 MAX. CURRENT 1.5A  
 PROTECTION IP67  
 TEMPERATURE RANGE: -20°C TO 80°C  
 CSA & UL  
 CATEGORY RATING: CAT5e
- PACKAGING:  
 ASSEMBLIES ARE BAGGED SEPERATELY  
 IN POLY BAGS WITH BAR CODE LABEL ATTACHED  
 TO OUTSIDE OF BAG.
- ASSEMBLY IS RoHS COMPLIANT.

ITEM	QTY.	DESCRIPTION	MATERIAL	FINISH
5	1	HEX NUT	LNP	BLACK
4	1	BULKHEAD GASKET	NITRILE	BLACK
3	1	O RING	VITON	BROWN
2	1	HOUSING	ABS	BLACK
1	1	RJ45 W/PCB SUB ASSY.	---	---

MODIFIED CUTOUT EC NO: IPG2013-0733 DRW: BWOODMAN 2012/11/19 CHKD: APPR: J MURPHY 2012/12/04	QUALITY SYMBOLS ▽=0 ▽=0
--	-------------------------------

GENERAL TOLERANCES (UNLESS SPECIFIED)	
mm	INCH
4 PLACES ± .005	± .0005
3 PLACES ± .005	± .0005
2 PLACES ± .005	± .0005
1 PLACE ± .005	± .0005
ANGULAR ± 1/2°	
DRAFT WHERE APPLICABLE MUST REMAIN WITHIN DIMENSIONS	

DIMENSION STYLE		SCALE		DESIGN UNITS		THIRD ANGLE PROJECTION		
IN/MM		2:1		INCH		THIRD ANGLE PROJECTION		
DRAWN BY	DATE	TITLE				PC BOARD TO CABLE RECPT.		
BRUPERT	04/16/09							
CHECKED BY	DATE							
BWOODMAN	04/16/09							
APPROVED BY	DATE							
JMURPHY	04/16/09							
MATERIAL NO.	DOCUMENT NO.							
1300550016	SD-130055-016							
SIZE	THIS DRAWING CONTAINS INFORMATION THAT IS PROPRIETARY TO MOLEX INCORPORATED AND SHOULD NOT BE USED WITHOUT WRITTEN PERMISSION						SHEET NO. 1 OF 1	