



Chipsmall Limited consists of a professional team with an average of over 10 year of expertise in the distribution of electronic components. Based in Hongkong, we have already established firm and mutual-benefit business relationships with customers from,Europe,America and south Asia,supplying obsolete and hard-to-find components to meet their specific needs.

With the principle of “Quality Parts,Customers Priority,Honest Operation,and Considerate Service”,our business mainly focus on the distribution of electronic components. Line cards we deal with include Microchip,ALPS,ROHM,Xilinx,Pulse,ON,Everlight and Freescale. Main products comprise IC,Modules,Potentiometer,IC Socket,Relay,Connector.Our parts cover such applications as commercial,industrial, and automotives areas.

We are looking forward to setting up business relationship with you and hope to provide you with the best service and solution. Let us make a better world for our industry!



Contact us

Tel: +86-755-8981 8866 Fax: +86-755-8427 6832

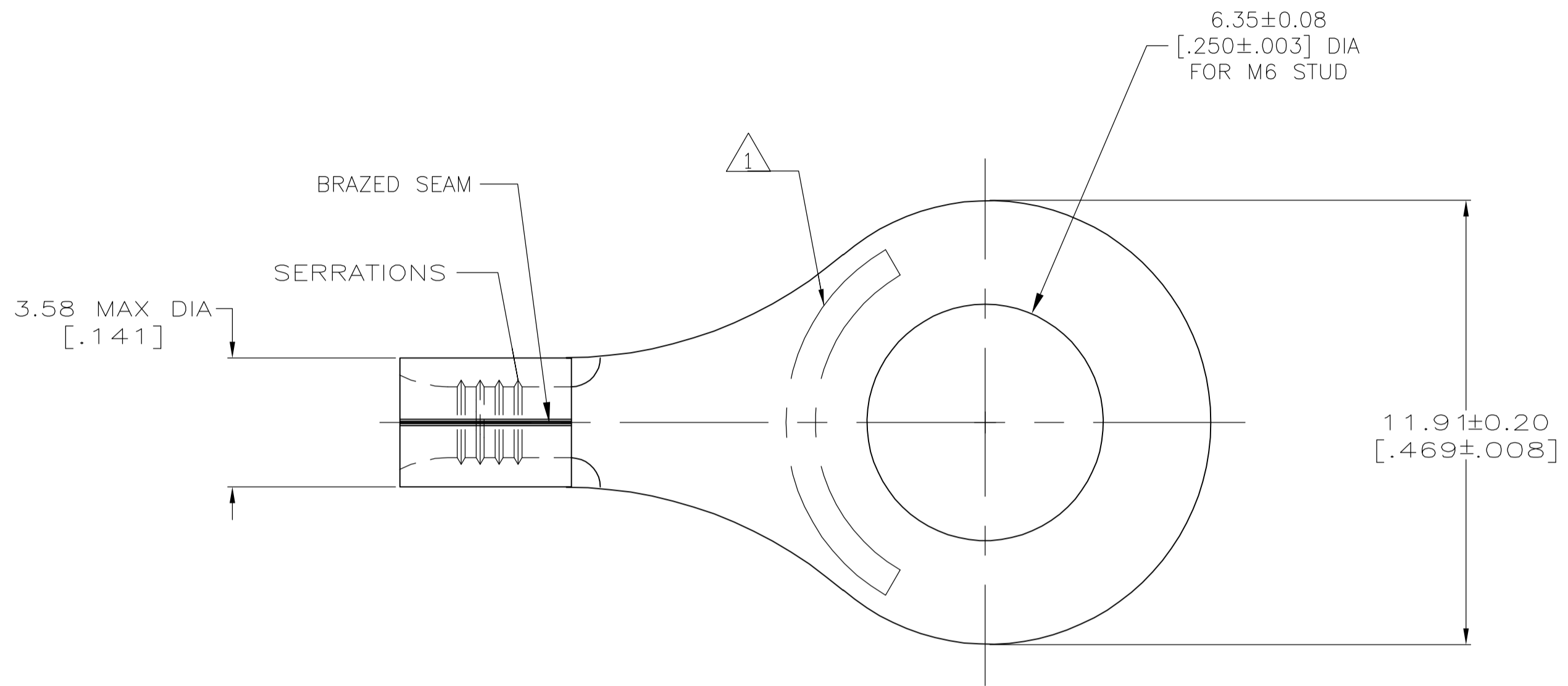
Email & Skype: info@chipsmall.com Web: www.chipsmall.com

Address: A1208, Overseas Decoration Building, #122 Zhenhua RD., Futian, Shenzhen, China



THIS DRAWING IS UNPUBLISHED. RELEASED FOR PUBLICATION
 © COPYRIGHT BY TYCO ELECTRONICS CORPORATION. ALL RIGHTS RESERVED.

LOC	DIST	REVISIONS			
P	LTR	DESCRIPTION	DATE	DWN	APVD
G	14	A1	REV PER ECR 06-011374	19MAY06	JR TM



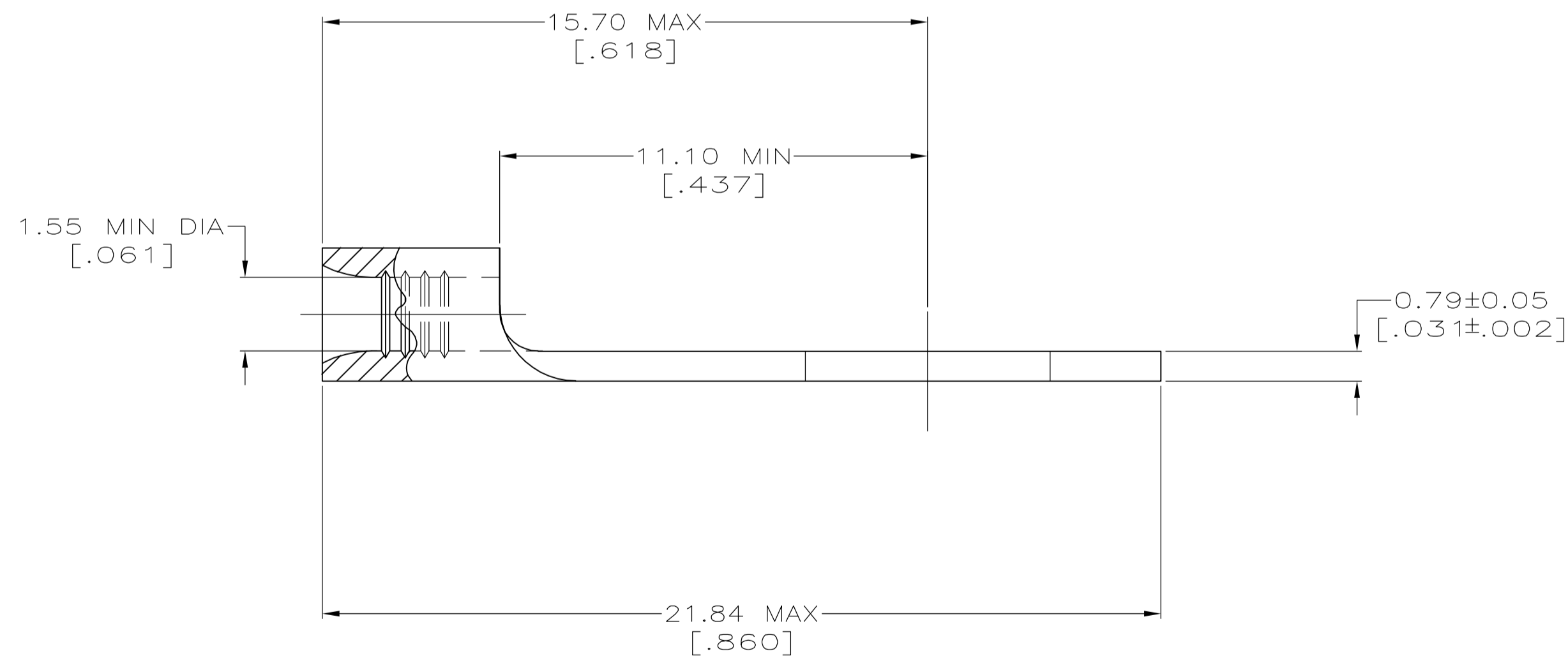
1 STAMP "AMP 22-18*" APPROX AS SHOWN, 22-16 TERMINALS ARE STAMPED 22-18 IN ACCORDANCE WITH MILITARY SPECIFICATION MIL-T-7928, COMMERCIAL WIRE RANGE IS 22-16.

2 MATERIAL: COPPER PER ASTM B-152, ANNEALED.

3 0.00254 [0.00100] MIN TIN PLATE PER ASTM B-545

4 MAX RECOMMENDED OPERATING TEMP 170°C MAX

5 0.26-1.65mm² [509-3,260] CMA, STRANDED



LOOSE PIECE	130058
PACKAGING TYPE	PART NO

THIS DRAWING IS A CONTROLLED DOCUMENT.		DWN	jr ruth	19MAY06	Tyco Electronics Corporation Harrisburg, PA 17105-3608
DIMENSIONS: MM [INCHES]		CHK	T MICHIELUTTI	19MAY06	
TOLERANCES UNLESS OTHERWISE SPECIFIED:		APVD	T MICHIELUTTI	19MAY06	
0 PLC ± - 1 PLC ± - 2 PLC ± - 3 PLC ± - 4 PLC ± - ANGLES ± 5°		PRODUCT SPEC	NAME		
MATERIAL		FINISH		APPLICATION SPEC	
- 2		- 3		-	
CUSTOMER DRAWING			WEIGHT	-	RESTRICTED TO
SCALE 8:1			SHEET 1 of 1	REV A1	