



Chipsmall Limited consists of a professional team with an average of over 10 year of expertise in the distribution of electronic components. Based in Hongkong, we have already established firm and mutual-benefit business relationships with customers from,Europe,America and south Asia,supplying obsolete and hard-to-find components to meet their specific needs.

With the principle of “Quality Parts,Customers Priority,Honest Operation,and Considerate Service”,our business mainly focus on the distribution of electronic components. Line cards we deal with include Microchip,ALPS,ROHM,Xilinx,Pulse,ON,Everlight and Freescale. Main products comprise IC,Modules,Potentiometer,IC Socket,Relay,Connector.Our parts cover such applications as commercial,industrial, and automotives areas.

We are looking forward to setting up business relationship with you and hope to provide you with the best service and solution. Let us make a better world for our industry!



## Contact us

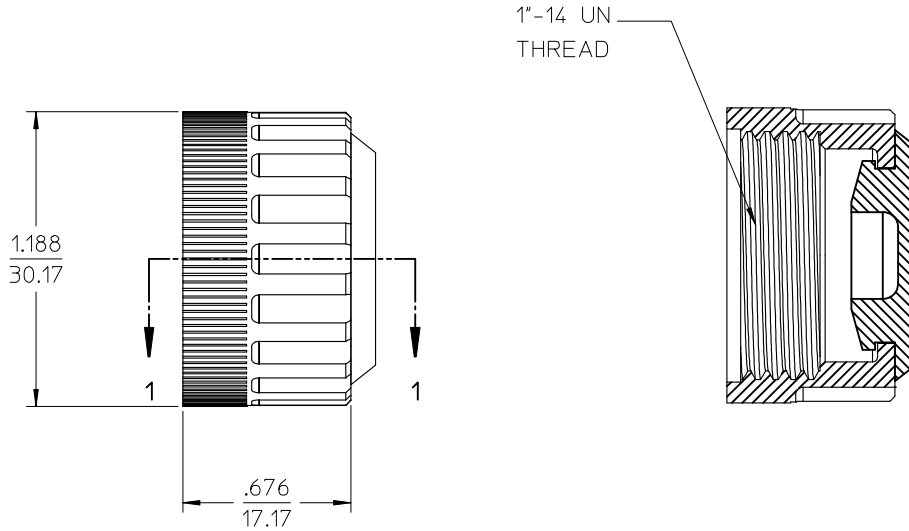
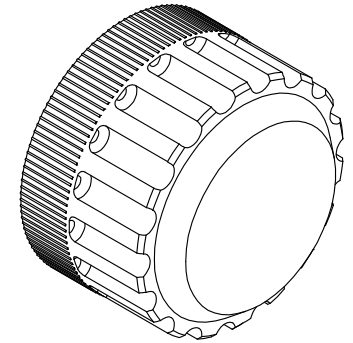
Tel: +86-755-8981 8866 Fax: +86-755-8427 6832

Email & Skype: info@chipsmall.com Web: www.chipsmall.com

Address: A1208, Overseas Decoration Building, #122 Zhenhua RD., Futian, Shenzhen, China



PART NUMBER	OLD PART NUMBER
1300580033	65-0300



COMPONENT	MATERIAL	FINISH
COUPLING NUT	ABS	BLACK
CLOSURE CAP BPF 11/16	NYLON	BLACK

RELEASED EC NO: WNA2009-0626 DRWN: SGARCIA 2009/03/31 CHKD: BWOODMAN APPR: JFMURPHY 2009/04/01	QUALITY SYMBOLS	GENERAL TOLERANCES (UNLESS SPECIFIED)	DIMENSION STYLE	SCALE	DESIGN UNITS	THIRD ANGLE PROJECTION
	▽=0 ▽=0	mm      INCH 4 PLACES ± --- ± --- 3 PLACES ± --- ± --- 2 PLACES ± --- ± 0.01 1 PLACE ± 0.3 ± ---	IN/MM	2:1	INCH	
		ANGULAR ±1/2°	DRAWN BY      DATE SGARCIA      2009/03/27 CHECKED BY      DATE BWOODMAN      2009/03/27 APPROVED BY      DATE JFMURPHY      2009/03/27	TITLE CLOSURE CAP ETHERNET INTERNAL THREAD		
	DRAFT WHERE APPLICABLE MUST REMAIN WITHIN DIMENSIONS	MATERIAL NO. SEE CHART	MOLEX INCORPORATED DOCUMENT NO. SD-130058-001	SHEET NO. 1 OF 1		