



Chipsmall Limited consists of a professional team with an average of over 10 year of expertise in the distribution of electronic components. Based in Hongkong, we have already established firm and mutual-benefit business relationships with customers from,Europe,America and south Asia,supplying obsolete and hard-to-find components to meet their specific needs.

With the principle of “Quality Parts,Customers Priority,Honest Operation,and Considerate Service”,our business mainly focus on the distribution of electronic components. Line cards we deal with include Microchip,ALPS,ROHM,Xilinx,Pulse,ON,Everlight and Freescale. Main products comprise IC,Modules,Potentiometer,IC Socket,Relay,Connector.Our parts cover such applications as commercial,industrial, and automotives areas.

We are looking forward to setting up business relationship with you and hope to provide you with the best service and solution. Let us make a better world for our industry!



Contact us

Tel: +86-755-8981 8866 Fax: +86-755-8427 6832

Email & Skype: info@chipsmall.com Web: www.chipsmall.com

Address: A1208, Overseas Decoration Building, #122 Zhenhua RD., Futian, Shenzhen, China



6

5

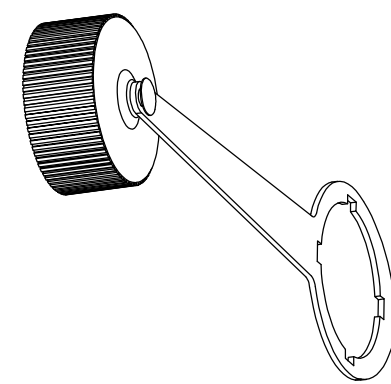
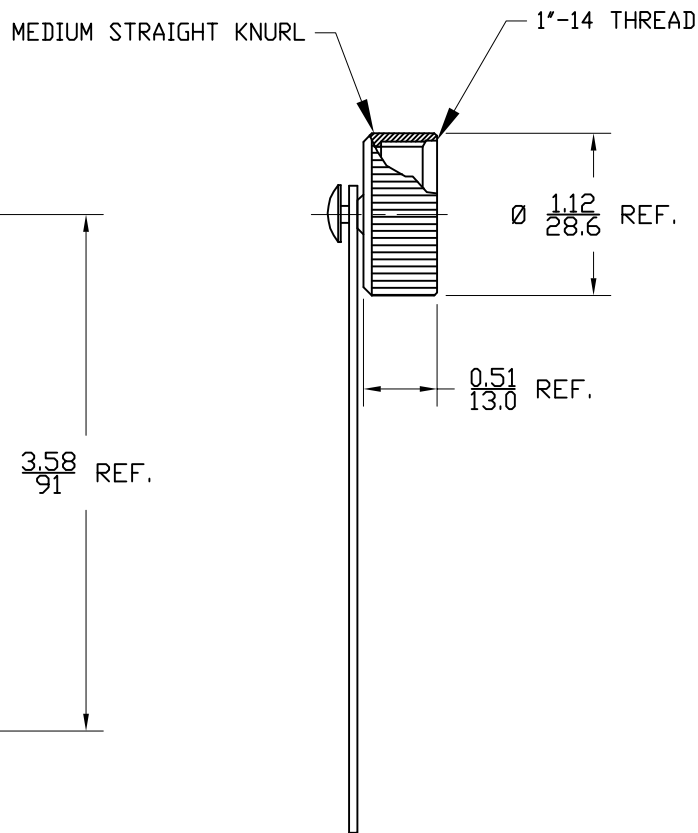
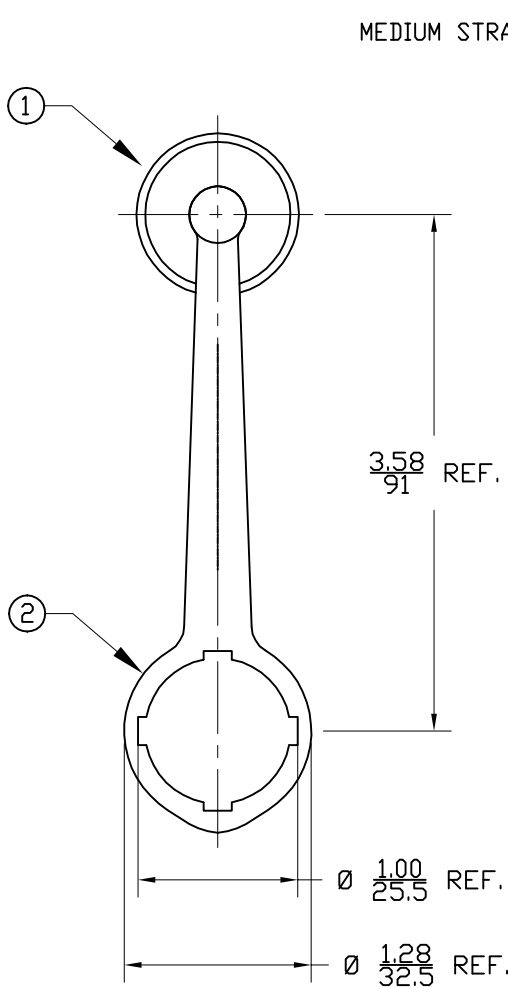
4

3

2

1

SAP P/N#	ENGINEERING NO.
1300580035	67-0300



- NOTES:
- 1) MATERIAL: SEE TABLE
 - 2) FINISHES: SEE TABLE
 - 3) ENVIRONMENTAL PROTECTION: IP67 U/V STABLE
 - 4) ASSEMBLY IS RoHS COMPLIANT.

ITEM	QTY.	DESCRIPTION	MATERIAL	FINISH
2	1	LANYARD	RUBBER	BLACK
1	1	CLOSURE CAP	NYLON	BLACK

SD RELEASE
 EC NO: WNA2010-0167
 DRWN: BWOODMAN
 CHKD: JFMURPHY
 APPR: JFMURPHY 2009/09/11

QUALITY SYMBOLS
 ▽=0
 ∇=0

GENERAL TOLERANCES (UNLESS SPECIFIED)

	mm	INCH
4 PLACES	±----	±----
3 PLACES	±----	±.005
2 PLACES	±----	±.010
1 PLACE	±----	±.020

ANGULAR ±1°
 DRAFT WHERE APPLICABLE
 MUST REMAIN WITHIN DIMENSIONS

DIMENSION STYLE INCH/MM
 DRAWN BY: VOU DATE: 2009/08/27
 CHECKED BY: BWOODMAN DATE: 2009/08/31
 APPROVED BY: JFMURPHY DATE: 2009/09/11
 MATERIAL NO. SEE CHART

SCALE 3:4 DESIGN UNITS INCH
 THIRD ANGLE PROJECTION
 TITLE: FEM RJLNXX CAP W/ LNYRD
 MOLEX INCORPORATED
 DOCUMENT NO. SD-130058-003 SHEET NO. 1 OF 1
 THIS DRAWING CONTAINS INFORMATION THAT IS PROPRIETARY TO MOLEX INCORPORATED AND SHOULD NOT BE USED WITHOUT WRITTEN PERMISSION

6

5

4

3

2

1