



Chipsmall Limited consists of a professional team with an average of over 10 year of expertise in the distribution of electronic components. Based in Hongkong, we have already established firm and mutual-benefit business relationships with customers from,Europe,America and south Asia,supplying obsolete and hard-to-find components to meet their specific needs.

With the principle of “Quality Parts,Customers Priority,Honest Operation,and Considerate Service”,our business mainly focus on the distribution of electronic components. Line cards we deal with include Microchip,ALPS,ROHM,Xilinx,Pulse,ON,Everlight and Freescale. Main products comprise IC,Modules,Potentiometer,IC Socket,Relay,Connector.Our parts cover such applications as commercial,industrial, and automotives areas.

We are looking forward to setting up business relationship with you and hope to provide you with the best service and solution. Let us make a better world for our industry!



## Contact us

Tel: +86-755-8981 8866 Fax: +86-755-8427 6832

Email & Skype: info@chipsmall.com Web: www.chipsmall.com

Address: A1208, Overseas Decoration Building, #122 Zhenhua RD., Futian, Shenzhen, China



10

9

8

7

6

5

4

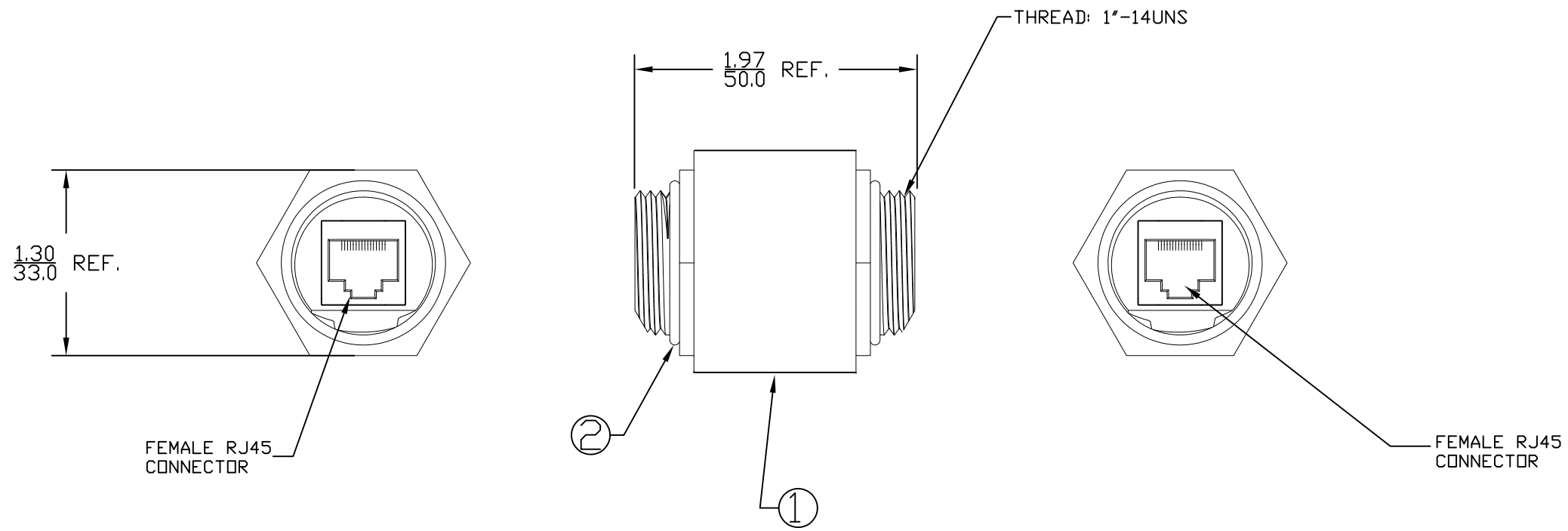
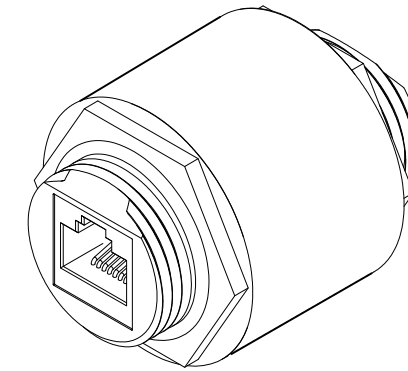
3

2

1

MATERIAL NUMBER	ENGINEERING NUMBER
1300580057	RJBG16821

1300580057	RJBG16821
------------	-----------



NOTES:

- 1) MATERIAL: SEE TABLE
- 2) FINISHES: SEE TABLE
- 3) ELECTRICAL DATA:  
VOLTAGE RATING: 30V DC  
CURRENT RATING: 1.5A
- 4) ENVIRONMENTAL:  
PROTECTION IP67  
OPERATING TEMPERATURE RANGE: -20C TO 80C

2	2	O-RING	VITON	BLACK
1	1	RECEPTACLE HOUSING	DELRIN	BLACK
ITEM	QTY.	DESCRIPTION	MATERIAL	FINISH

RELEASE EC NO: WNA2010-0438 DRWN: TWOLDEGE 2010/01/19 CH'KD: BWOODMAN APPR: JFMURPHY 2010/01/25	DESCRIPTION REV	QUALITY SYMBOLS	<b>GENERAL TOLERANCES (UNLESS SPECIFIED)</b> <table border="1"> <tr> <td></td> <td>mm</td> <td>INCH</td> </tr> <tr> <td>4 PLACES</td> <td>±---</td> <td>±---</td> </tr> <tr> <td>3 PLACES</td> <td>±---</td> <td>±.005</td> </tr> <tr> <td>2 PLACES</td> <td>±0.13</td> <td>±.010</td> </tr> <tr> <td>1 PLACE</td> <td>±0.25</td> <td>±.020</td> </tr> </table>		mm	INCH	4 PLACES	±---	±---	3 PLACES	±---	±.005	2 PLACES	±0.13	±.010	1 PLACE	±0.25	±.020	DIMENSION STYLE	SCALE	DESIGN UNITS	THIRD ANGLE PROJECTION  <b>RJ-LNXX ADAPTOR RJ45 FEMALE TO FEMALE ADAPTOR</b>  <b>MOLEX INCORPORATED</b>  DOCUMENT NO. <b>SD-130058-006</b> SHEET NO. <b>1 OF 1</b>
				mm	INCH																	
		4 PLACES		±---	±---																	
		3 PLACES		±---	±.005																	
2 PLACES	±0.13	±.010																				
1 PLACE	±0.25	±.020																				
▽=0 ▽C=0	IN/MM	1:1	INCH																			
	DRAWN BY DATE	---	---																			
	CHECKED BY DATE	<b>BWOODMAN</b>	---																			
	APPROVED BY DATE	<b>JFMURPHY 2010/01/22</b>																				
	MATERIAL NO.	<b>SEE CHART</b>																				
	SIZE	<b>B</b>		THIS DRAWING CONTAINS INFORMATION THAT IS PROPRIETARY TO MOLEX INCORPORATED AND SHOULD NOT BE USED WITHOUT WRITTEN PERMISSION																		

10

9

8

7

6

5

4

3

2

1