



Chipsmall Limited consists of a professional team with an average of over 10 year of expertise in the distribution of electronic components. Based in Hongkong, we have already established firm and mutual-benefit business relationships with customers from,Europe,America and south Asia,supplying obsolete and hard-to-find components to meet their specific needs.

With the principle of “Quality Parts,Customers Priority,Honest Operation,and Considerate Service”,our business mainly focus on the distribution of electronic components. Line cards we deal with include Microchip,ALPS,ROHM,Xilinx,Pulse,ON,Everlight and Freescale. Main products comprise IC,Modules,Potentiometer,IC Socket,Relay,Connector.Our parts cover such applications as commercial,industrial, and automotives areas.

We are looking forward to setting up business relationship with you and hope to provide you with the best service and solution. Let us make a better world for our industry!



Contact us

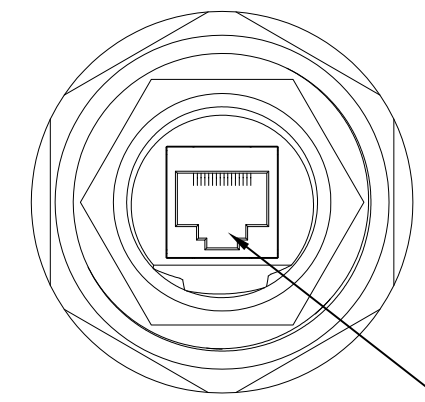
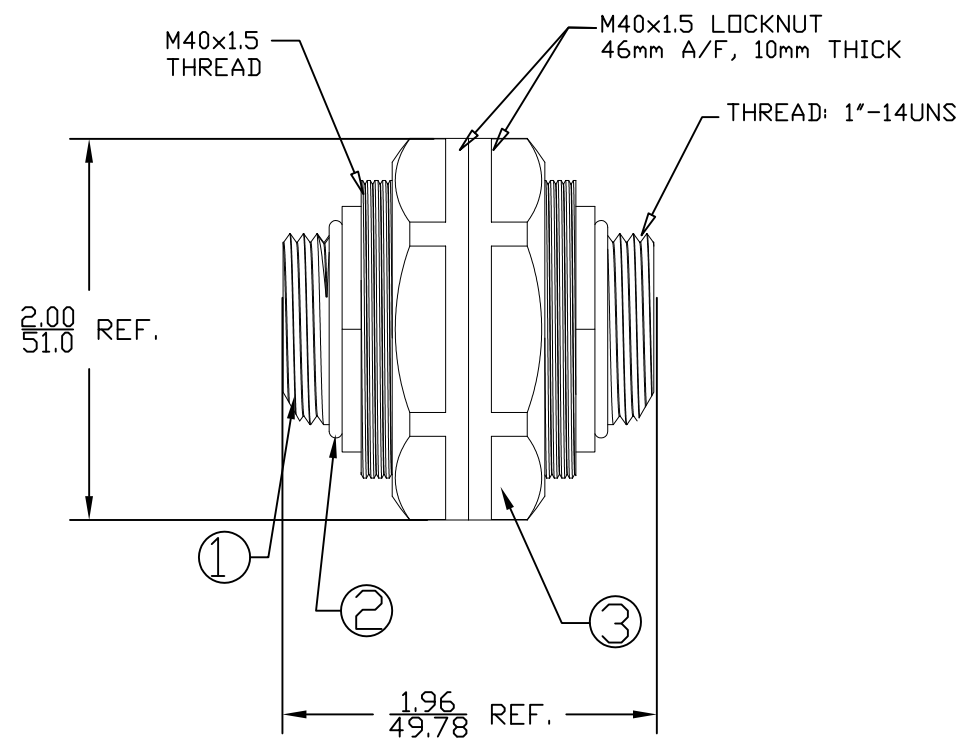
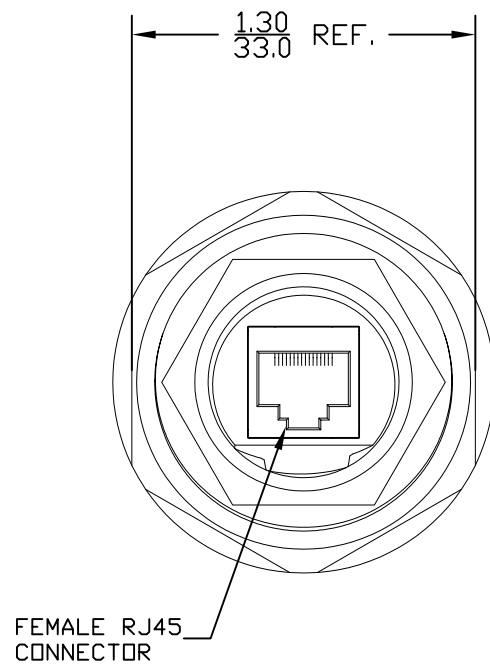
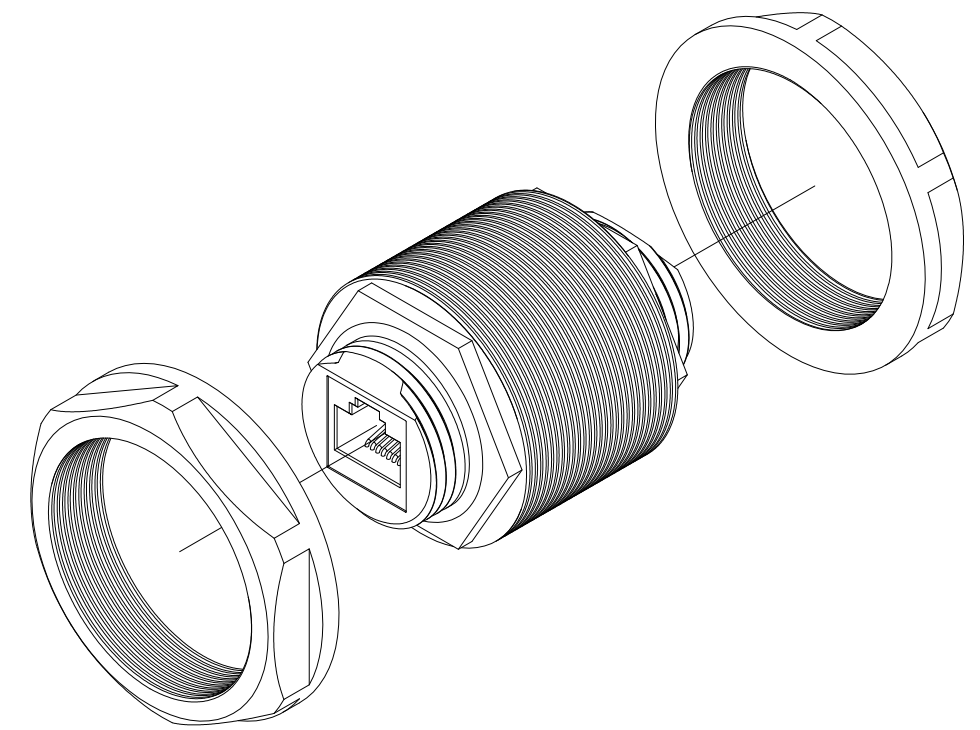
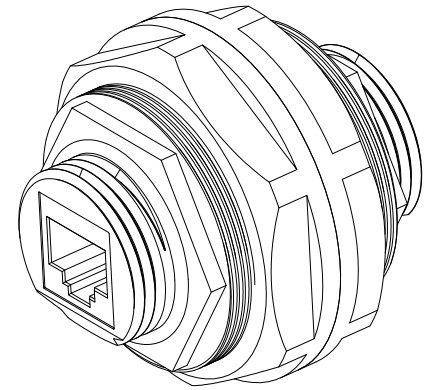
Tel: +86-755-8981 8866 Fax: +86-755-8427 6832

Email & Skype: info@chipsmall.com Web: www.chipsmall.com

Address: A1208, Overseas Decoration Building, #122 Zhenhua RD., Futian, Shenzhen, China



MATERIAL NUMBER	ENGINEERING NUMBER
1300580059	RJBG17946



- NOTES:
- 1) MATERIAL: SEE TABLE
 - 2) FINISHES: SEE TABLE
 - 3) ELECTRICAL DATA:
VOLTAGE RATING: 30V DC
CURRENT RATING: 1.5A
 - 4) ENVIRONMENTAL:
PROTECTION IP67
OPERATING TEMPERATURE RANGE: -20C TO 80C

3	2	LOCK NUT	NYLON 6.6, BLACK	BLACK
2	2	O-RING	VITON	BLACK
1	1	RECEPTACLE HOUSING	DELIN	BLACK
ITEM	QTY.	DESCRIPTION	MATERIAL	FINISH

RELEASE
 EC NO: WNA2010-0438
 DRWN: TWOLDEGE 2010/01/19
 CHKD: BWOODMAN
 APPR: JFMURPHY 2010/01/25

QUALITY SYMBOLS
 ▽=0
 ▽C=0

GENERAL TOLERANCES (UNLESS SPECIFIED)		
	mm	INCH
4 PLACES	±---	±---
3 PLACES	±---	±.005
2 PLACES	±0.13	±.010
1 PLACE	±0.25	±.020
ANGULAR ±1/2°		
DRAFT WHERE APPLICABLE MUST REMAIN WITHIN DIMENSIONS		

DIMENSION STYLE	
IN/MM	
DRAWN BY	DATE
---	---
CHECKED BY	DATE
BWOODMAN	---
APPROVED BY	DATE
JFMURPHY	2010/01/22
MATERIAL NO.	
SEE CHART	
SIZE	B

SCALE	1:1	DESIGN UNITS	INCH	THIRD ANGLE PROJECTION
TITLE				
RJ-LNXX THREADED ADAPTOR RJ45 FEMALE TO FEMALE PANEL INTERCONNECT (M40)				
Molex			MOLEX INCORPORATED	
DOCUMENT NO.			SHEET NO.	
SD-130058-007			1 OF 1	
THIS DRAWING CONTAINS INFORMATION THAT IS PROPRIETARY TO MOLEX INCORPORATED AND SHOULD NOT BE USED WITHOUT WRITTEN PERMISSION				