



Chipsmall Limited consists of a professional team with an average of over 10 year of expertise in the distribution of electronic components. Based in Hongkong, we have already established firm and mutual-benefit business relationships with customers from,Europe,America and south Asia,supplying obsolete and hard-to-find components to meet their specific needs.

With the principle of "Quality Parts,Customers Priority,Honest Operation,and Considerate Service",our business mainly focus on the distribution of electronic components. Line cards we deal with include Microchip,ALPS,ROHM,Xilinx,Pulse,ON,Everlight and Freescale. Main products comprise IC,Modules,Potentiometer,IC Socket,Relay,Connector.Our parts cover such applications as commercial,industrial, and automotives areas.

We are looking forward to setting up business relationship with you and hope to provide you with the best service and solution. Let us make a better world for our industry!



Contact us

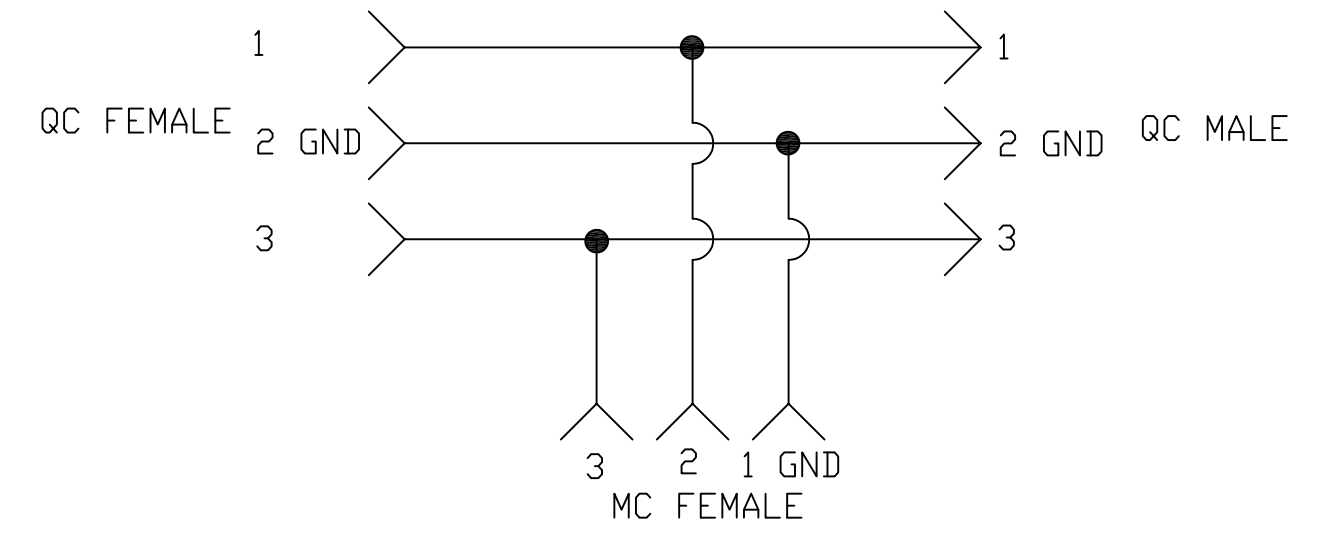
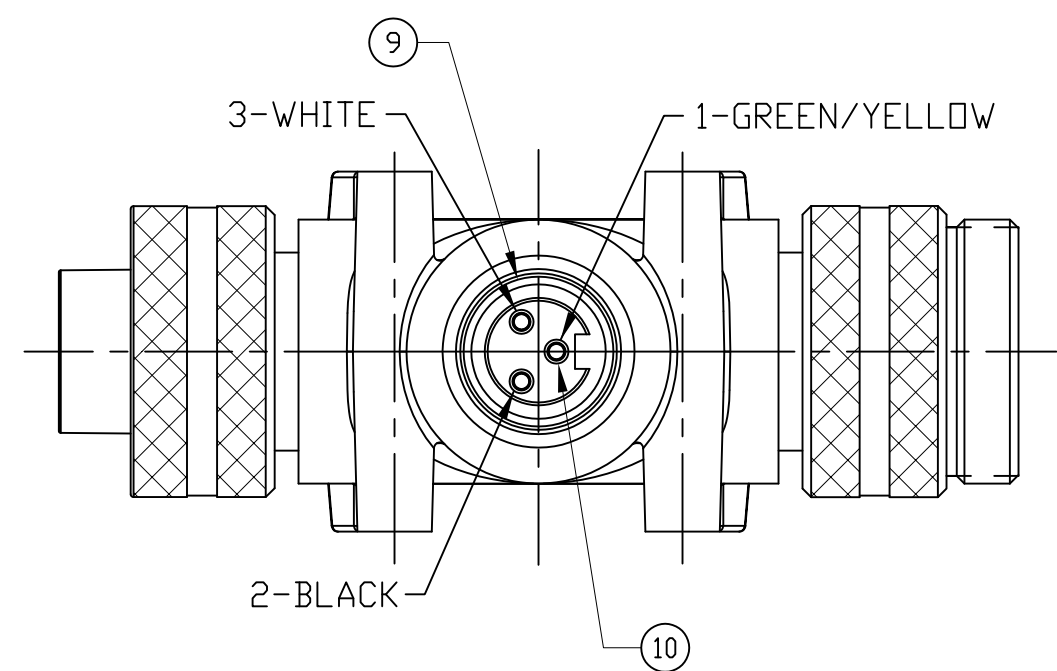
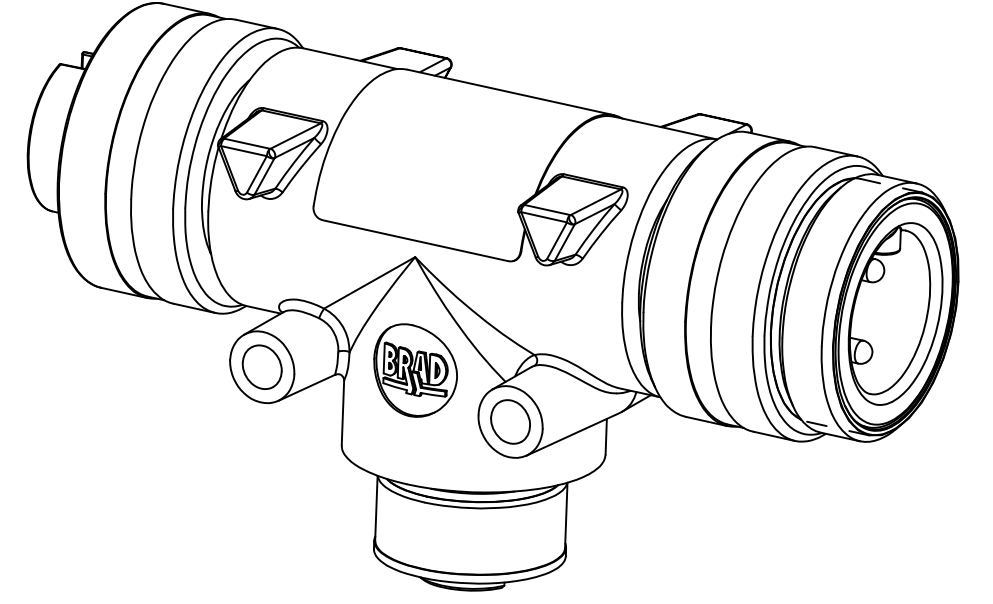
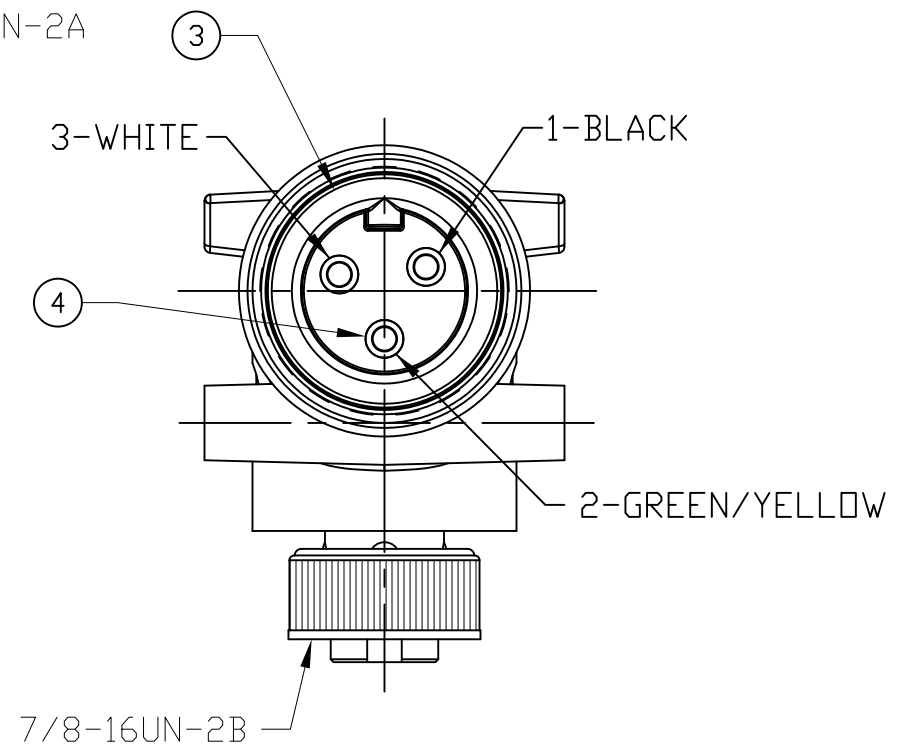
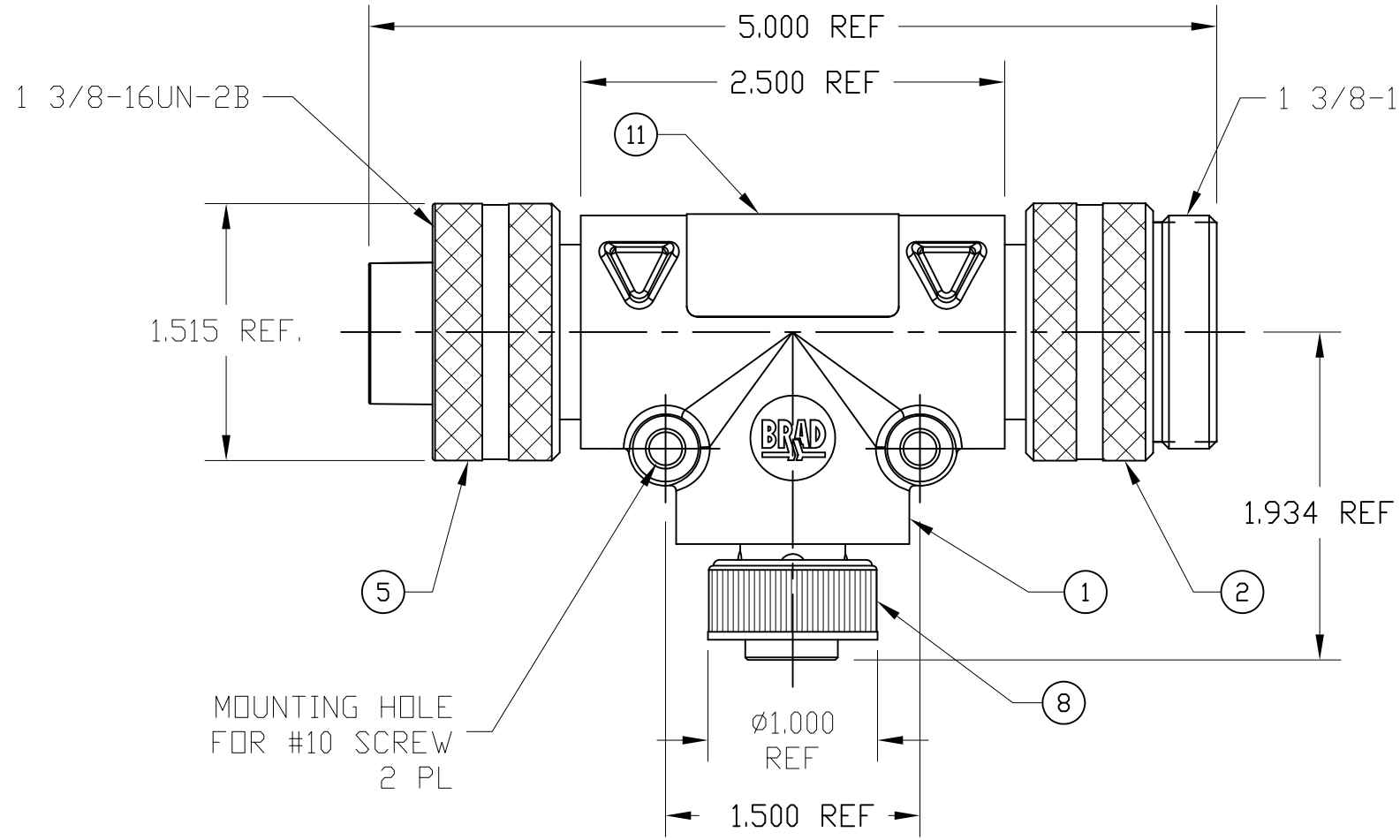
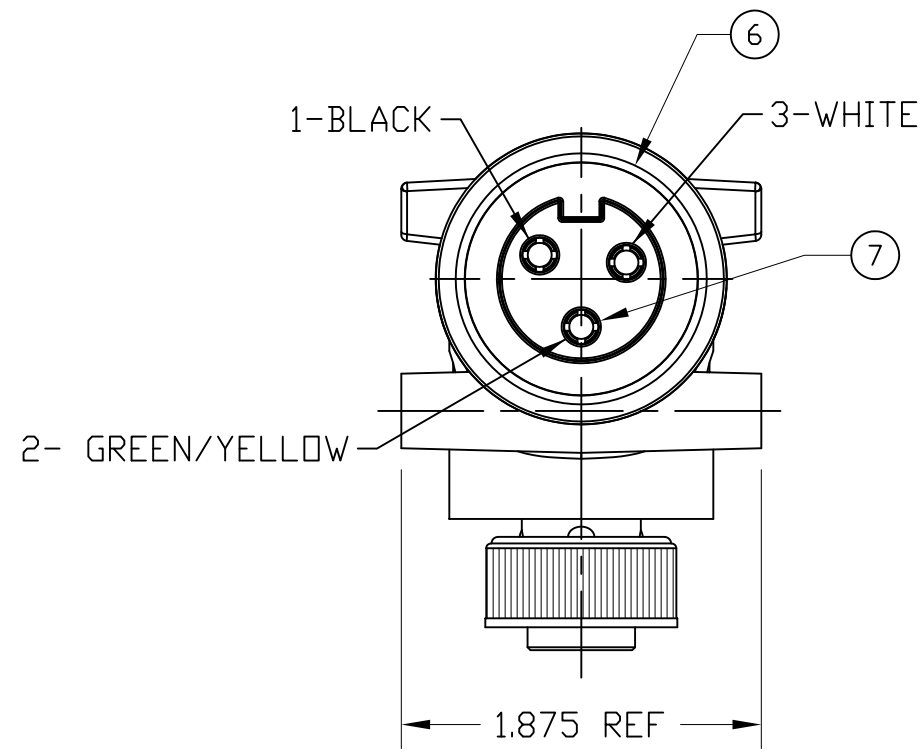
Tel: +86-755-8981 8866 Fax: +86-755-8427 6832

Email & Skype: info@chipsmall.com Web: www.chipsmall.com

Address: A1208, Overseas Decoration Building, #122 Zhenhua RD., Futian, Shenzhen, China



PART NUMBER	ENGINEERING NUMBER
1300680034	TC30130-200



WIRE DIAGRAM

- NOTE:
- 1) LABEL IS MARKED WITH P/N, DATE CODE, VOLTAGE & AMPERAGE
 - 2) ELECTRICAL DATA:
REDUCING TEE QC TO MC
POLES: 3
MAX. VOLTAGE: 600V AC/DC
MAX. THRU CURRENT: 30A
MAX. DROP CURRENT: 15A
PROTECTION: IP67
TEMPERATURE RANGE: -20°C TO 90°C
 - 3) PACKAGING:
ASSEMBLIES ARE BAGGED SEPERATELY IN POLY BAGS WITH BAR CODE LABEL ATTACHED TO THE OUTSIDE OF THE BAG.
 - 4) ASSEMBLY IS RoHS COMPLIANT
 - 5) CERTIFICATION:
UL LISTED/CSA CERTIFIED , FILE E258922

ITEM	QTY	DESCRIPTION	MATERIAL	FINISH
11	1	LABEL	PLASTIC FILM	BLACK/YELLOW
10	3	MC SOCKET CONTACT	COPPER ALLOY	GOLD PLATED
9	1	MC FEMALE INSERT	PVC	BLACK
8	1	MC COUPLING NUT	ZINC ALLOY	BLACK E-COAT
7	3	QC SOCKET CONTACT	COPPER ALLOY	GOLD PLATED
6	1	QC FEMALE INSERT	PVC	BLACK
5	1	QC FEMALE COUPLING NUT	ALUMINUM	CLEAR ANODIZE
4	3	QC PIN CONTACT	COPPER ALLOY	GOLD PLATED
3	1	QC MALE INSERT	PVC	BLACK
2	1	QC MALE COUPLING NUT	ALUMINUM	CLEAR ANODIZE
1	1	OVERMOLD	PVC	GRAY

RELEASED EC NO: WNA2010-0424 DRWN: KJOZWIK 2010/01/12 CH'KD: BWOODMAN APPR: JFMURPHY 2010/01/15	QUALITY SYMBOL	GENERAL TOLERANCES (UNLESS SPECIFIED)		DIMENSION STYLE		SCALE	DESIGN UNITS	THIRD ANGLE PROJECTION		
	$\nabla=0$ $\sphericalangle=0$	mm	INCH	IN/MM		1:1	INCH			
		4 PLACES	±---	±---	DRAWN BY	DATE	TITLE			
		3 PLACES	±---	±.005	KJOZWIK	2010/01/12	BRAD POWER QC 3 POLE TEE W/3 POLE MC DROP			
	2 PLACES	±0.13	±.010	BWOODMAN	2010/01/12					
	1 PLACE	±0.25	±.020	JFMURPHY	2010/01/15	MOLEX INCORPORATED				
		ANGULAR ±1/2°		MATERIAL NO.		DOCUMENT NO.		SHEET NO.		
		DRAFT WHERE APPLICABLE MUST REMAIN WITHIN DIMENSIONS		SEE TABLE		SD-130068-005		1 OF 1		
		THIS DRAWING CONTAINS INFORMATION THAT IS PROPRIETARY TO MOLEX INCORPORATED AND SHOULD NOT BE USED WITHOUT WRITTEN PERMISSION								