



Chipsmall Limited consists of a professional team with an average of over 10 year of expertise in the distribution of electronic components. Based in Hongkong, we have already established firm and mutual-benefit business relationships with customers from,Europe,America and south Asia,supplying obsolete and hard-to-find components to meet their specific needs.

With the principle of “Quality Parts,Customers Priority,Honest Operation,and Considerate Service”,our business mainly focus on the distribution of electronic components. Line cards we deal with include Microchip,ALPS,ROHM,Xilinx,Pulse,ON,Everlight and Freescale. Main products comprise IC,Modules,Potentiometer,IC Socket,Relay,Connector.Our parts cover such applications as commercial,industrial, and automotives areas.

We are looking forward to setting up business relationship with you and hope to provide you with the best service and solution. Let us make a better world for our industry!



Contact us

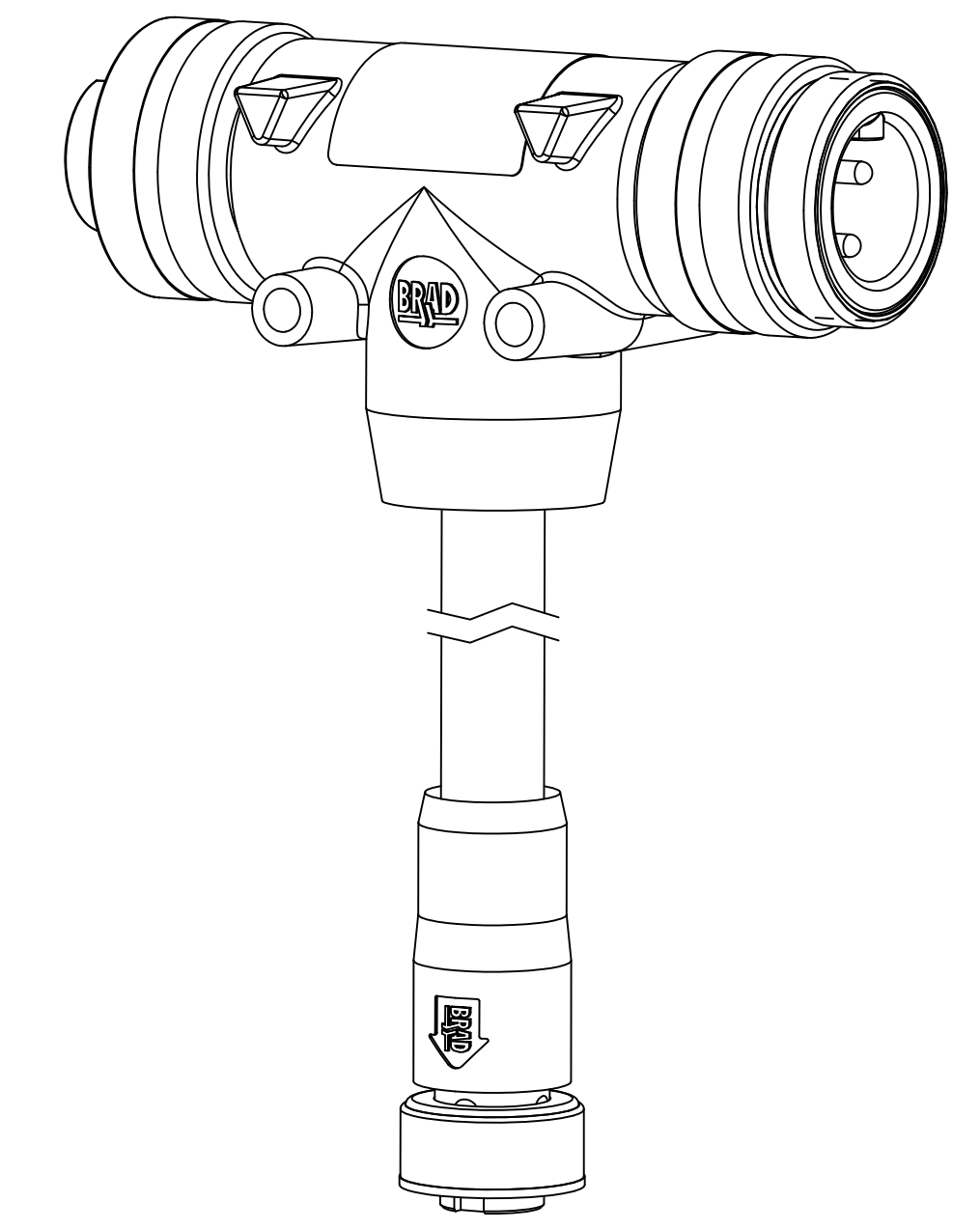
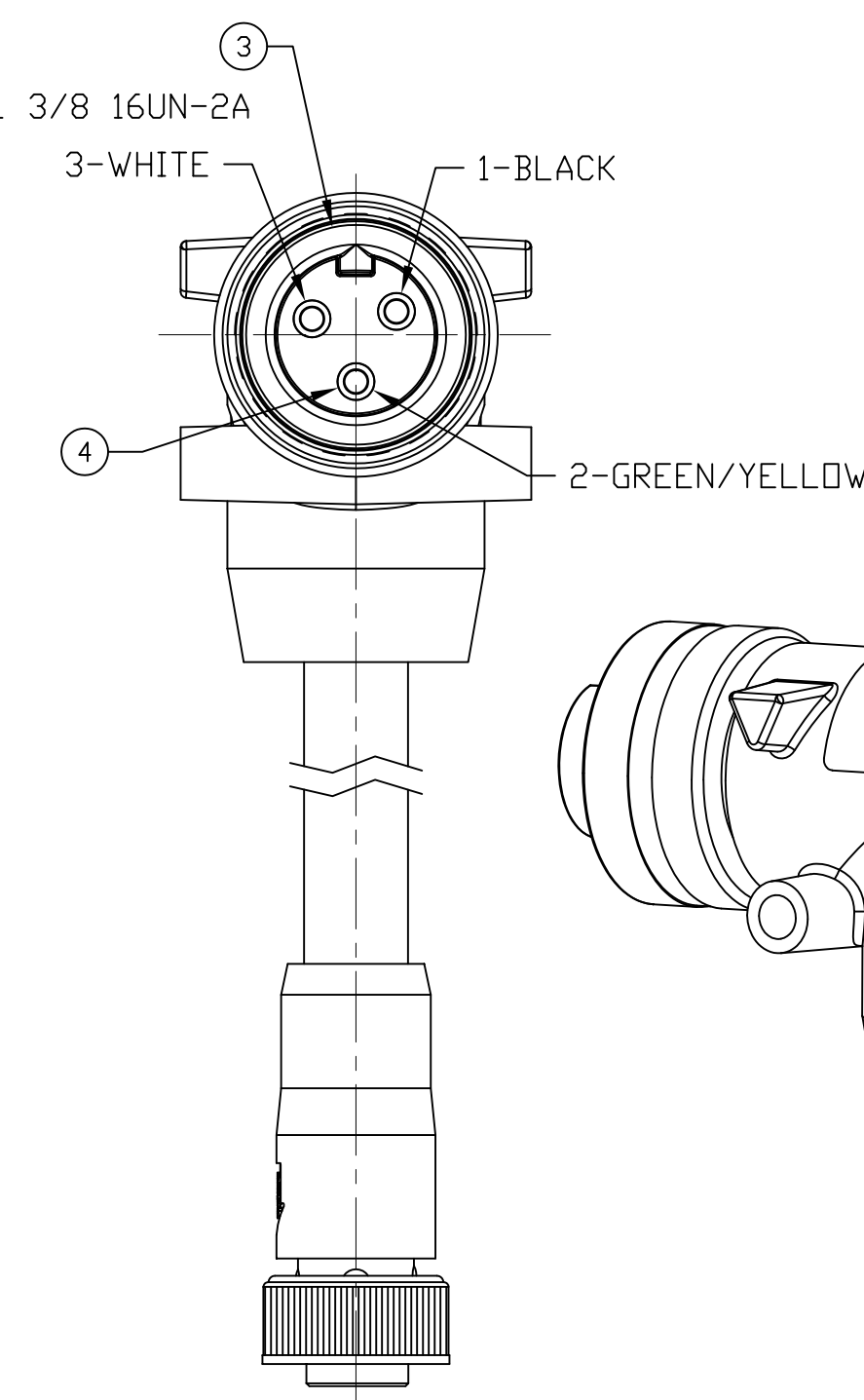
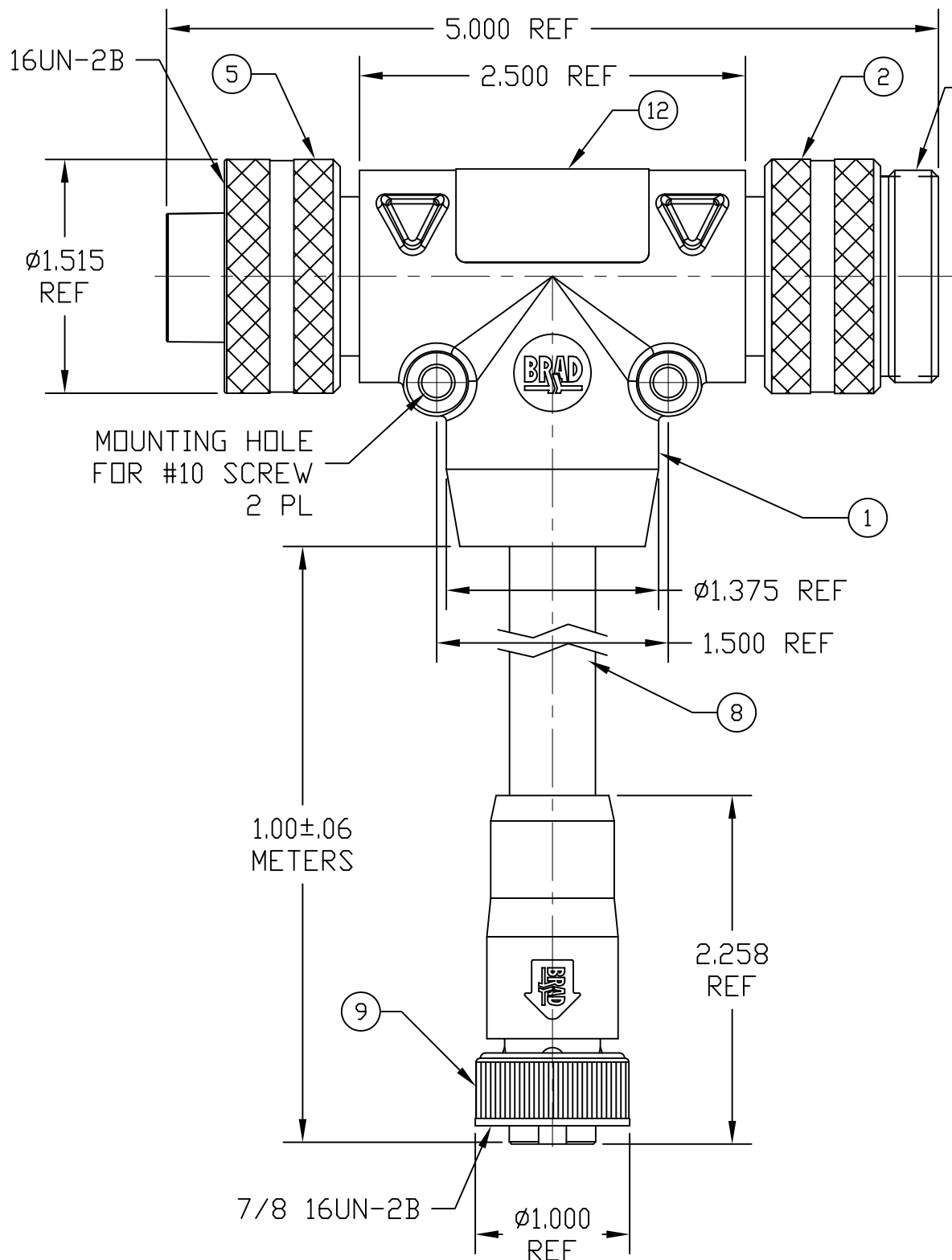
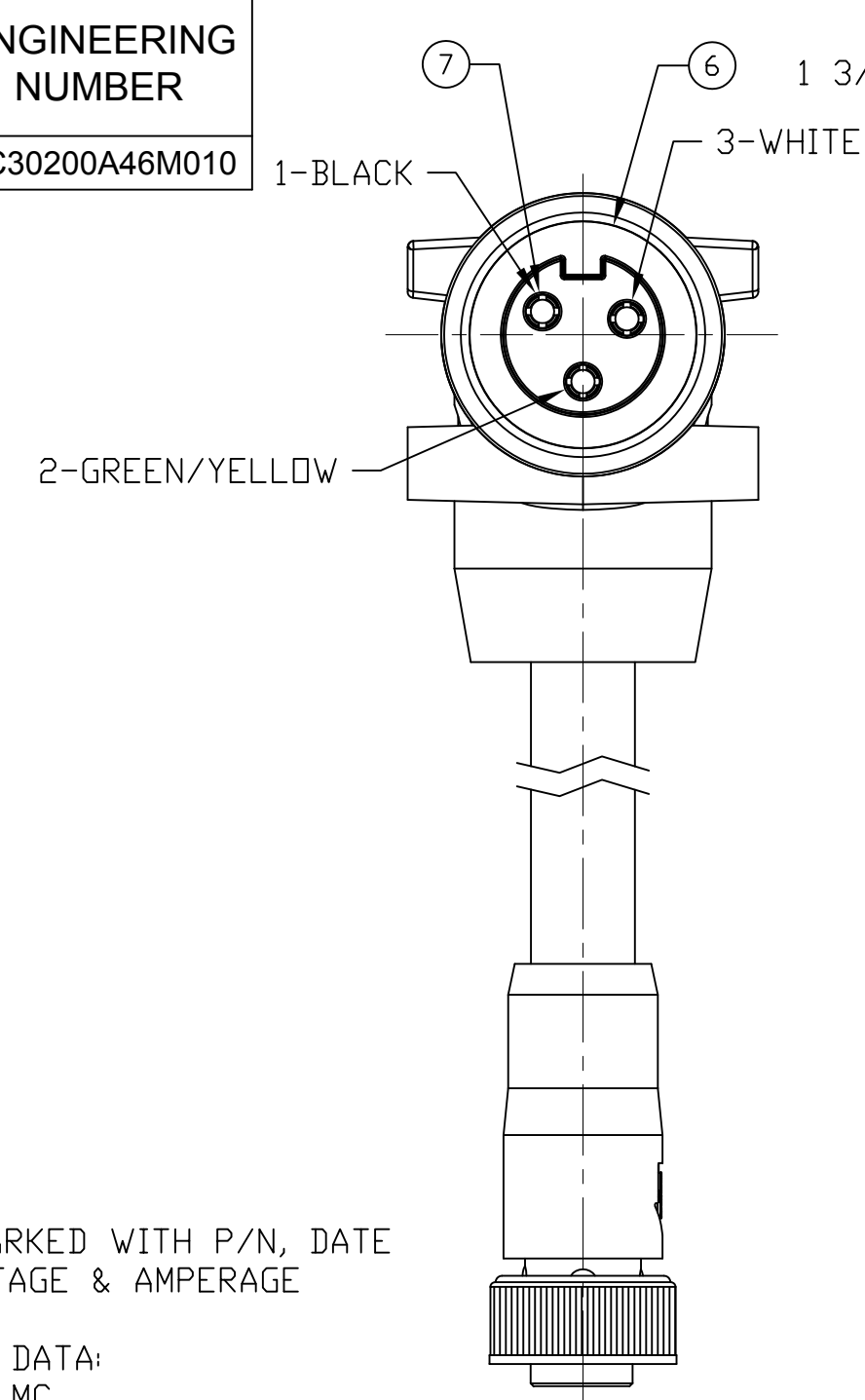
Tel: +86-755-8981 8866 Fax: +86-755-8427 6832

Email & Skype: info@chipsmall.com Web: www.chipsmall.com

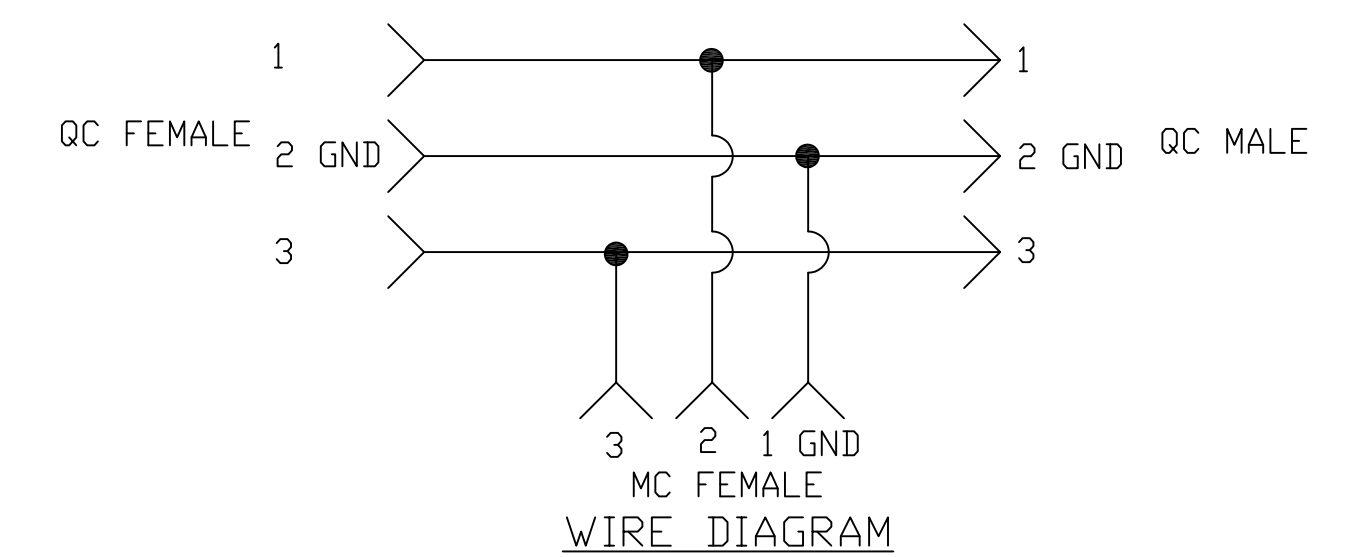
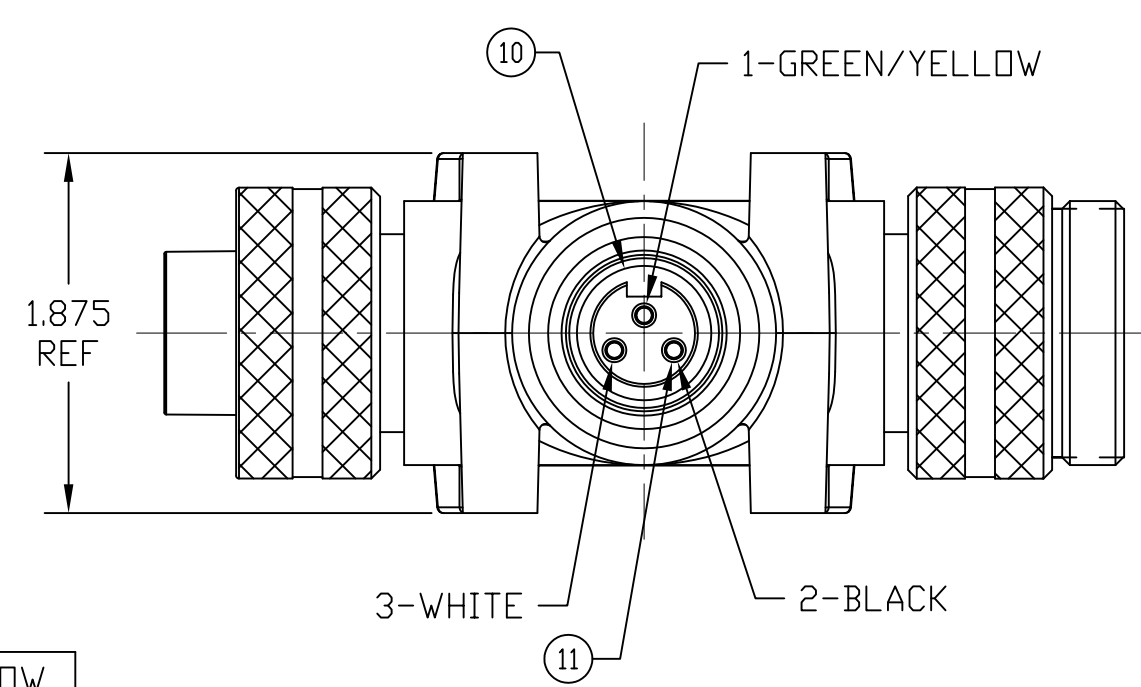
Address: A1208, Overseas Decoration Building, #122 Zhenhua RD., Futian, Shenzhen, China



| PART NUMBER | ENGINEERING NUMBER |
|-------------|--------------------|
| 1300680042 | TC30200A46M010 |



- NOTE:
- LABEL IS MARKED WITH P/N, DATE CODE, VOLTAGE & AMPERAGE
 - ELECTRICAL DATA:
TEE QC TO MC
POLES: 3
MAX. VOLTAGE: 600V AC/DC
MAX. THRU CURRENT: 30A
MAX. DROP CURRENT: 15A
PROTECTION: IP67
TEMPERATURE RANGE: -20°C TO 90°C
 - PACKAGING:
ASSEMBLIES ARE BAGGED SEPARATELY IN POLY BAGS WITH BAR CODE LABEL ATTACHED TO THE OUTSIDE OF THE BAG.
 - ASSEMBLY IS RoHS COMPLIANT
 - CERTIFICATION:
UL LISTED/CSA CERTIFIED , FILE E258922



| ITEM | QTY | DESCRIPTION | MATERIAL | FINISH |
|------|-----|----------------------------------|--------------|---------------|
| 12 | 1 | LABEL | PLASTIC FILM | BLACK/YELLOW |
| 11 | 3 | MC SOCKET CONTACT | COPPER ALLOY | GOLD PLATED |
| 10 | 1 | MC FEMALE INSERT | PVC | BLACK |
| 9 | 1 | MC COUPLING NUT | ZINC ALLOY | BLACK E-COAT |
| 8 | A/R | CABLE, 14AWG-3 TYPE TC-ER, ST00W | PVC | GRAY |
| 7 | 3 | QC SOCKET CONTACT | COPPER ALLOY | GOLD PLATED |
| 6 | 1 | QC FEMALE INSERT | PVC | BLACK |
| 5 | 1 | QC FEMALE COUPLING NUT | ALUMINUM | CLEAR ANODIZE |
| 4 | 3 | QC PIN CONTACT | COPPER ALLOY | GOLD PLATED |
| 3 | 1 | QC MALE INSERT | PVC | BLACK |
| 2 | 1 | QC MALE COUPLING NUT | ALUMINUM | CLEAR ANODIZE |
| 1 | 1 | OVERMOLD | PVC | GRAY |
| ITEM | QTY | DESCRIPTION | MATERIAL | FINISH |

| INITIAL RELEASE EC NO: WNA2010-0439 DRWN: KJOZWIK 2010/01/15 CH'KD: BWOODMAN APPR: JFMURPHY 2010/01/20 | QUALITY SYMBOL | GENERAL TOLERANCES (UNLESS SPECIFIED) | DIMENSION STYLE | SCALE | DESIGN UNITS | THIRD ANGLE PROJECTION | | | | | | | | | | | | | | |
|--|---|--|---|-------|-------------------------------------|------------------------|----------|------|------|----------|------|-------|----------|-------|-------|---------|-------|-------|-------|-----|
| | $\nabla=0$ $\sphericalangle=0$ | <table border="1"> <tr> <th></th> <th>mm</th> <th>INCH</th> </tr> <tr> <td>4 PLACES</td> <td>±---</td> <td>±---</td> </tr> <tr> <td>3 PLACES</td> <td>±---</td> <td>±.005</td> </tr> <tr> <td>2 PLACES</td> <td>±0.13</td> <td>±.010</td> </tr> <tr> <td>1 PLACE</td> <td>±0.25</td> <td>±.020</td> </tr> </table> | | mm | INCH | | 4 PLACES | ±--- | ±--- | 3 PLACES | ±--- | ±.005 | 2 PLACES | ±0.13 | ±.010 | 1 PLACE | ±0.25 | ±.020 | IN/MM | 1:1 |
| | | mm | INCH | | | | | | | | | | | | | | | | | |
| | 4 PLACES | ±--- | ±--- | | | | | | | | | | | | | | | | | |
| 3 PLACES | ±--- | ±.005 | | | | | | | | | | | | | | | | | | |
| 2 PLACES | ±0.13 | ±.010 | | | | | | | | | | | | | | | | | | |
| 1 PLACE | ±0.25 | ±.020 | | | | | | | | | | | | | | | | | | |
| DRAFT WHERE APPLICABLE MUST REMAIN WITHIN DIMENSIONS | ANGULAR ±1/2° SEE TABLE | DRAWN BY: KJOZWIK DATE: 2010/01/15 CHECKED BY: BWOODMAN DATE: 2010/01/15 APPROVED BY: JFMURPHY DATE: 2010/01/20 | TITLE BRAD POWER QC 3 POLE TEE W/3 POLE MC CBL DROP | | MOLEX INCORPORATED SD-130068-014 | | | | | | | | | | | | | | | |
| SIZE C | THIS DRAWING CONTAINS INFORMATION THAT IS PROPRIETARY TO MOLEX INCORPORATED AND SHOULD NOT BE USED WITHOUT WRITTEN PERMISSION | | SHEET NO. 1 OF 1 | | | | | | | | | | | | | | | | | |

| EC NO: WNA2010-0439 DRWN: KJOZWIK 2010/01/15 CH'KD: BWOODMAN APPR: JFMURPHY 2010/01/20 | QUALITY SYMBOL $\nabla=0$ $\sphericalangle=0$ | GENERAL TOLERANCES (UNLESS SPECIFIED) <table border="1"> <tr> <th></th> <th>mm</th> <th>INCH</th> </tr> <tr> <td>4 PLACES</td> <td>±---</td> <td>±---</td> </tr> <tr> <td>3 PLACES</td> <td>±---</td> <td>±.005</td> </tr> <tr> <td>2 PLACES</td> <td>±0.13</td> <td>±.010</td> </tr> <tr> <td>1 PLACE</td> <td>±0.25</td> <td>±.020</td> </tr> </table> | | mm | INCH | 4 PLACES | ±--- | ±--- | 3 PLACES | ±--- | ±.005 | 2 PLACES | ±0.13 | ±.010 | 1 PLACE | ±0.25 | ±.020 | DIMENSION STYLE IN/MM | SCALE 1:1 | DESIGN UNITS INCH | THIRD ANGLE PROJECTION |
|---|---|---|---|----|-------------------------------------|----------|------|------|----------|------|-------|----------|-------|-------|---------|-------|-------|--------------------------|--------------|----------------------|------------------------|
| | mm | INCH | | | | | | | | | | | | | | | | | | | |
| 4 PLACES | ±--- | ±--- | | | | | | | | | | | | | | | | | | | |
| 3 PLACES | ±--- | ±.005 | | | | | | | | | | | | | | | | | | | |
| 2 PLACES | ±0.13 | ±.010 | | | | | | | | | | | | | | | | | | | |
| 1 PLACE | ±0.25 | ±.020 | | | | | | | | | | | | | | | | | | | |
| DRAFT WHERE APPLICABLE MUST REMAIN WITHIN DIMENSIONS | ANGULAR ±1/2° SEE TABLE | DRAWN BY: KJOZWIK DATE: 2010/01/15 CHECKED BY: BWOODMAN DATE: 2010/01/15 APPROVED BY: JFMURPHY DATE: 2010/01/20 | TITLE BRAD POWER QC 3 POLE TEE W/3 POLE MC CBL DROP | | MOLEX INCORPORATED SD-130068-014 | | | | | | | | | | | | | | | | |
| SIZE C | THIS DRAWING CONTAINS INFORMATION THAT IS PROPRIETARY TO MOLEX INCORPORATED AND SHOULD NOT BE USED WITHOUT WRITTEN PERMISSION | | SHEET NO. 1 OF 1 | | | | | | | | | | | | | | | | | | |