



Chipsmall Limited consists of a professional team with an average of over 10 year of expertise in the distribution of electronic components. Based in Hongkong, we have already established firm and mutual-benefit business relationships with customers from,Europe,America and south Asia,supplying obsolete and hard-to-find components to meet their specific needs.

With the principle of “Quality Parts,Customers Priority,Honest Operation,and Considerate Service”,our business mainly focus on the distribution of electronic components. Line cards we deal with include Microchip,ALPS,ROHM,Xilinx,Pulse,ON,Everlight and Freescale. Main products comprise IC,Modules,Potentiometer,IC Socket,Relay,Connector.Our parts cover such applications as commercial,industrial, and automotives areas.

We are looking forward to setting up business relationship with you and hope to provide you with the best service and solution. Let us make a better world for our industry!



## Contact us

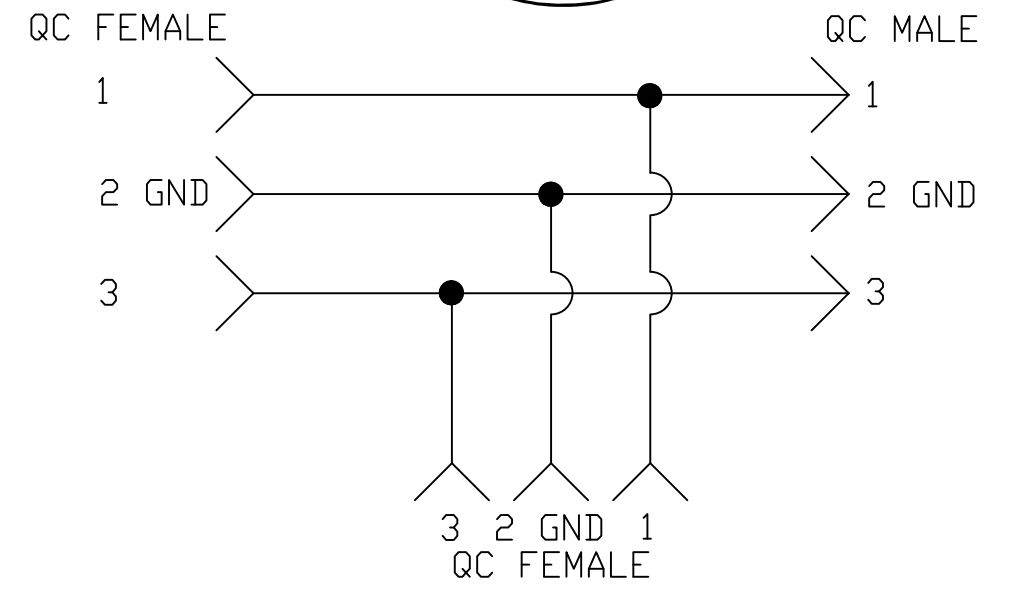
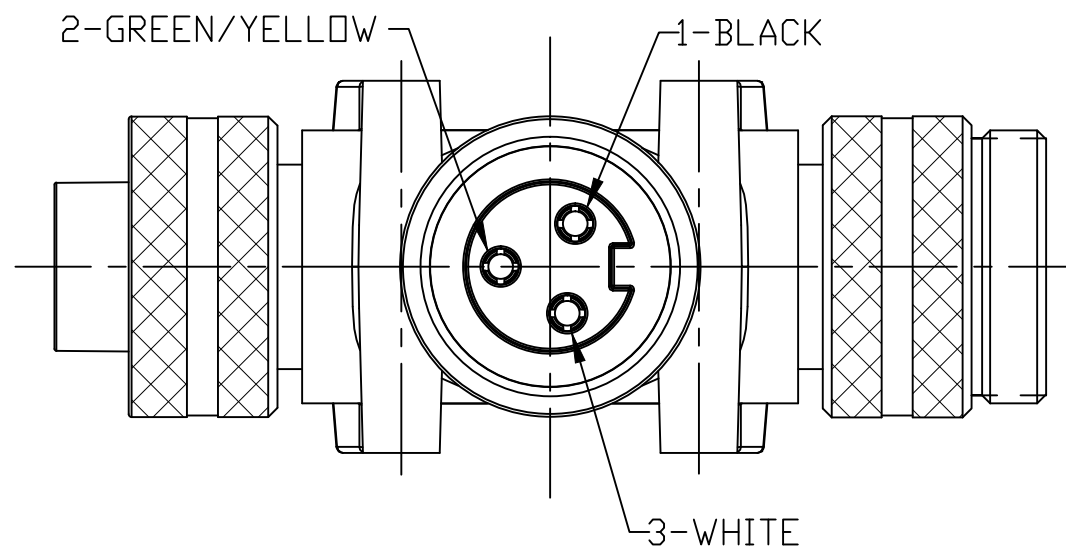
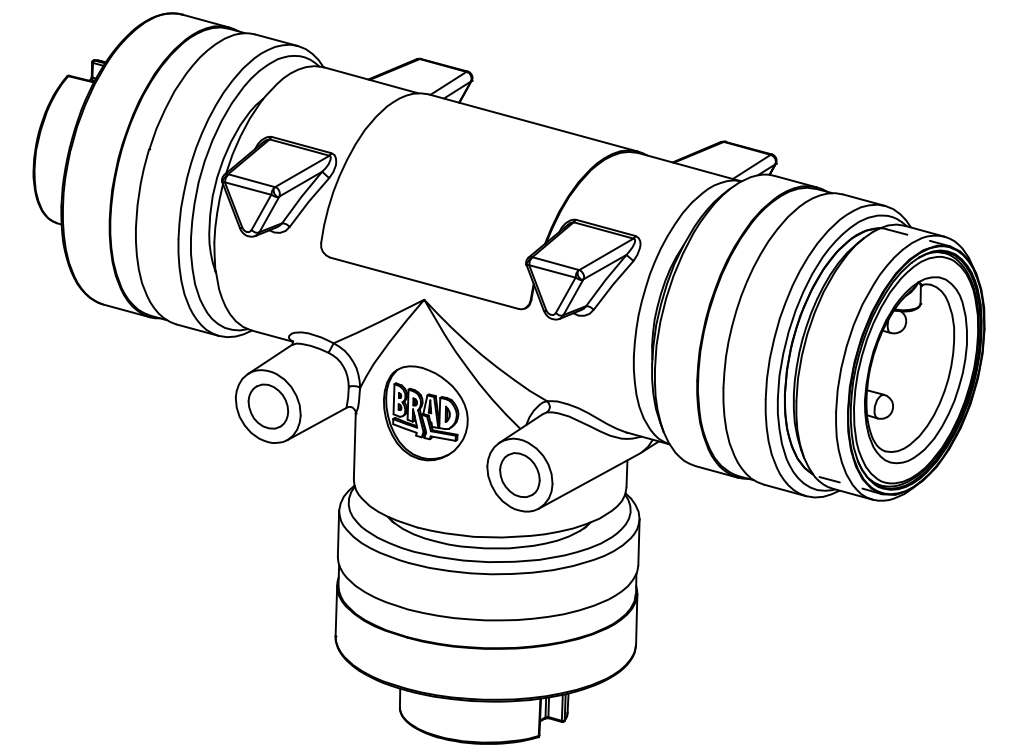
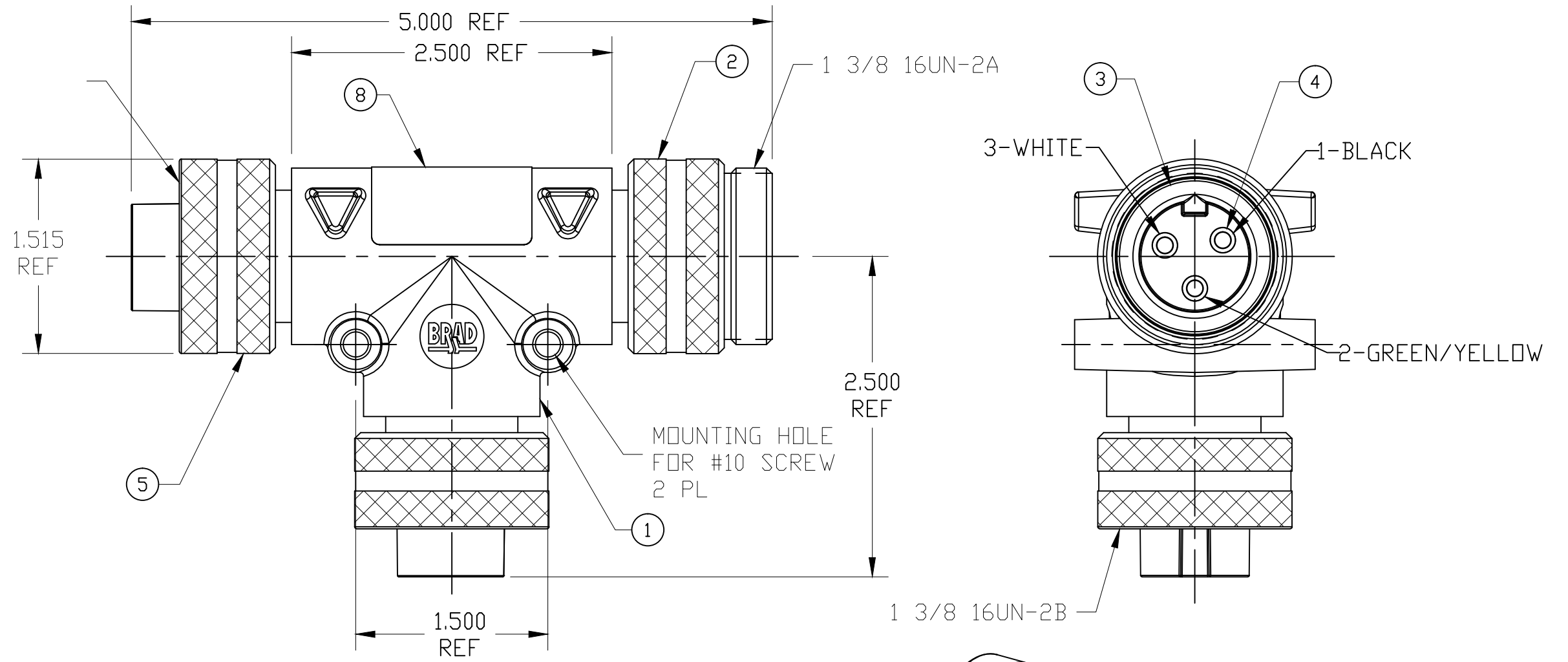
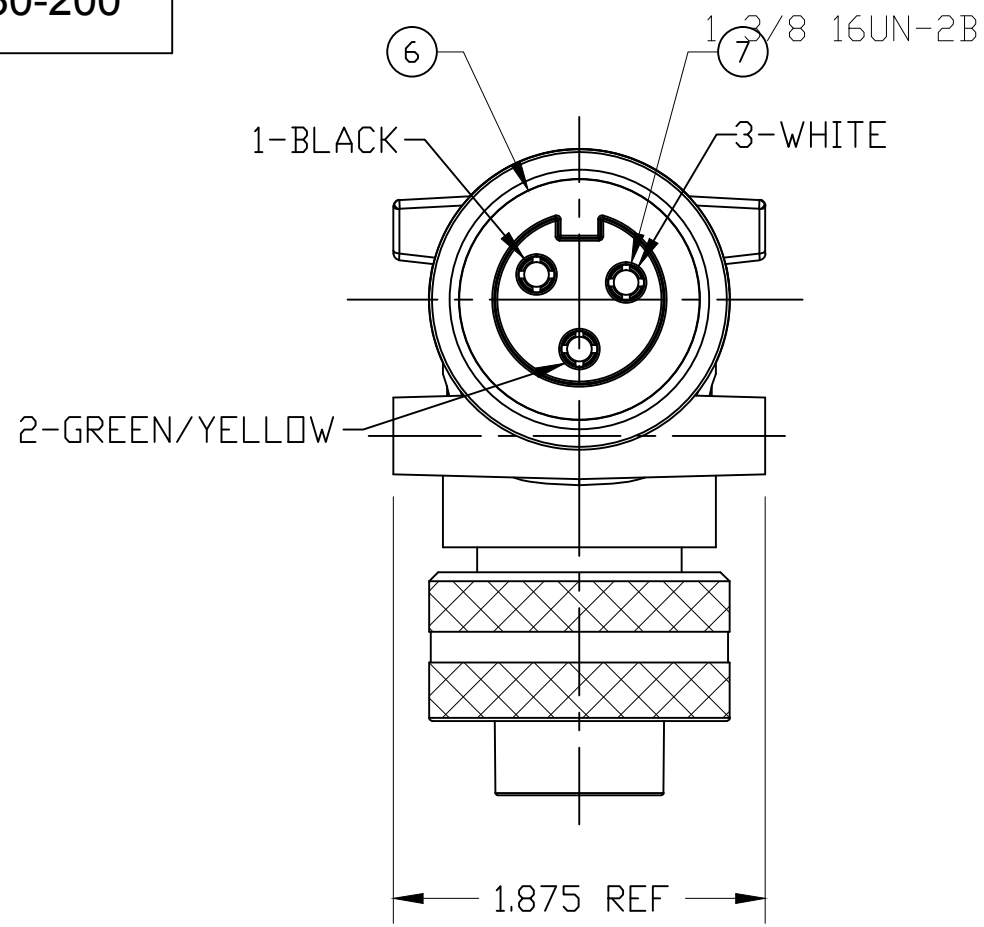
Tel: +86-755-8981 8866 Fax: +86-755-8427 6832

Email & Skype: info@chipsmall.com Web: www.chipsmall.com

Address: A1208, Overseas Decoration Building, #122 Zhenhua RD., Futian, Shenzhen, China



13	12	11	10	9	8	7	6	5	4	3	2	1
PART NUMBER		ENGINEERING NUMBER										
1300680045		TC30C30-200										



WIRE DIAGRAM

NOTES:

- MATERIAL: AS NOTED
- FINISH: AS NOTED
- ELECTRICAL:  
VOLTAGE: 500V PER IEC60664  
600V PER UL2237  
MAX THRU CURRENT: 32A  
MAX DROP CURRENT: 32A
- TEMP RATING: -20° TO +90°C
- PROTECTION: IP67 (WHEN MATED)
- CERTIFICATION:  
UL LISTED/CSA CERTIFIED FILE NO: E258922

8	LABEL	POLYESTER	BLACK/DRANGE
7	QC SOCKET CONTACT	COPPER ALLOY	GOLD PLATED
6	QC FEMALE INSERT	PVC	BLACK
5	QC FEMALE COUPLING NUT	ALUMINUM	CLEAR ANODIZE
4	QC PIN CONTACT	COPPER ALLOY	GOLD PLATED
3	QC MALE INSERT	PVC	BLACK
2	QC MALE COUPLING NUT	ALUMINUM	CLEAR ANODIZE
1	OVERMOLD	PVC	GRAY
ITEM	DESCRIPTION	MATERIAL	FINISH

REV'D NOTE 3 EC NO: IPG2017-0829 DRWN: RSTONE 3/2/17 CH'KD: K COX 2017/03/10 APPR: BWOODMAN 2010/01/15	QUALITY SYMBOL	GENERAL TOLERANCES (UNLESS SPECIFIED)	DIMENSION STYLE	SCALE	DESIGN UNITS	THIRD ANGLE PROJECTION
	$\nabla=0$ $\sphericalangle=0$	4 PLACES ±--- ±--- 3 PLACES ±--- ±--- 2 PLACES ±--- ±--- 1 PLACE ±--- ±---	INCH	1:1	INCH	
		ANGULAR ±---°	DRAWN BY DATE KJOZWIK 2010/01/13 CHECKED BY DATE BWOODMAN 2010/01/13 APPROVED BY DATE JFMURPHY 2010/01/15	TITLE <b>BRAD POWER QC 3 POLE TEE W/3 POLE QC DROP</b> <b>MOLEX INCORPORATED</b>		
		DRAFT WHERE APPLICABLE MUST REMAIN WITHIN DIMENSIONS	MATERIAL NO. <b>SEE TABLE</b> SIZE <b>C</b>	DOCUMENT NO. <b>SD-130068-006</b>	SHEET NO. <b>1 OF 1</b>	
THIS DRAWING CONTAINS INFORMATION THAT IS PROPRIETARY TO MOLEX INCORPORATED AND SHOULD NOT BE USED WITHOUT WRITTEN PERMISSION						