



Chipsmall Limited consists of a professional team with an average of over 10 year of expertise in the distribution of electronic components. Based in Hongkong, we have already established firm and mutual-benefit business relationships with customers from,Europe,America and south Asia,supplying obsolete and hard-to-find components to meet their specific needs.

With the principle of “Quality Parts,Customers Priority,Honest Operation,and Considerate Service”,our business mainly focus on the distribution of electronic components. Line cards we deal with include Microchip,ALPS,ROHM,Xilinx,Pulse,ON,Everlight and Freescale. Main products comprise IC,Modules,Potentiometer,IC Socket,Relay,Connector.Our parts cover such applications as commercial,industrial, and automotives areas.

We are looking forward to setting up business relationship with you and hope to provide you with the best service and solution. Let us make a better world for our industry!



Contact us

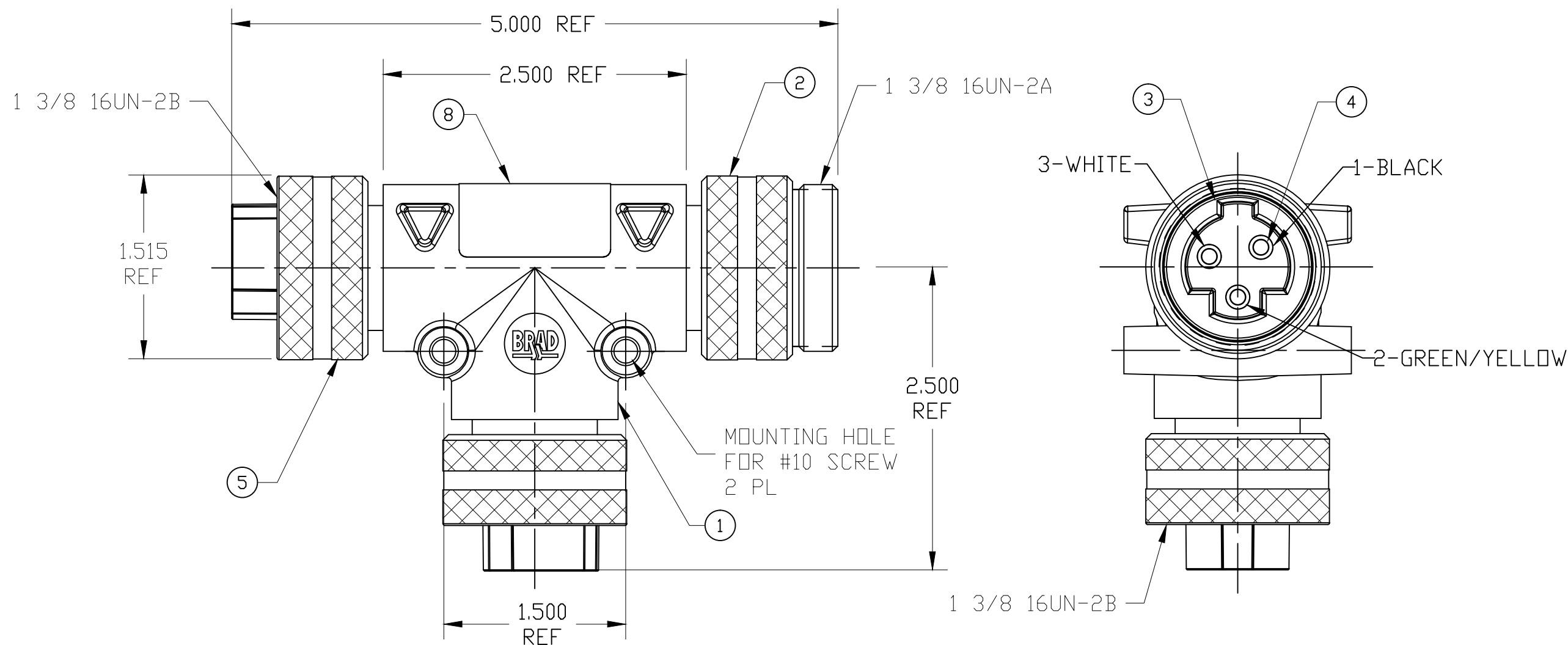
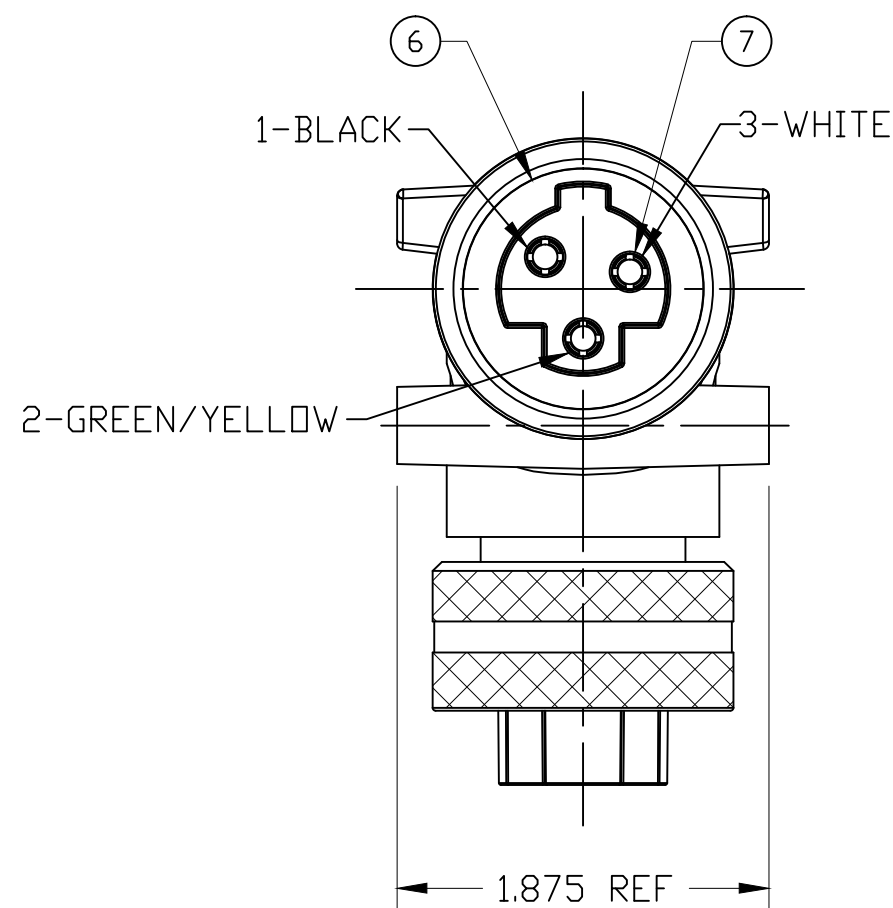
Tel: +86-755-8981 8866 Fax: +86-755-8427 6832

Email & Skype: info@chipsmall.com Web: www.chipsmall.com

Address: A1208, Overseas Decoration Building, #122 Zhenhua RD., Futian, Shenzhen, China

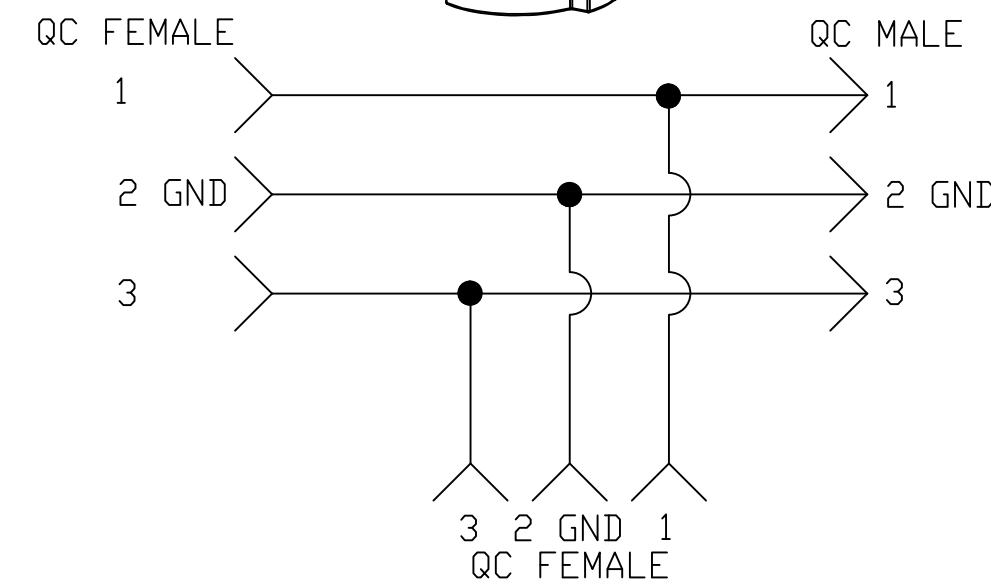
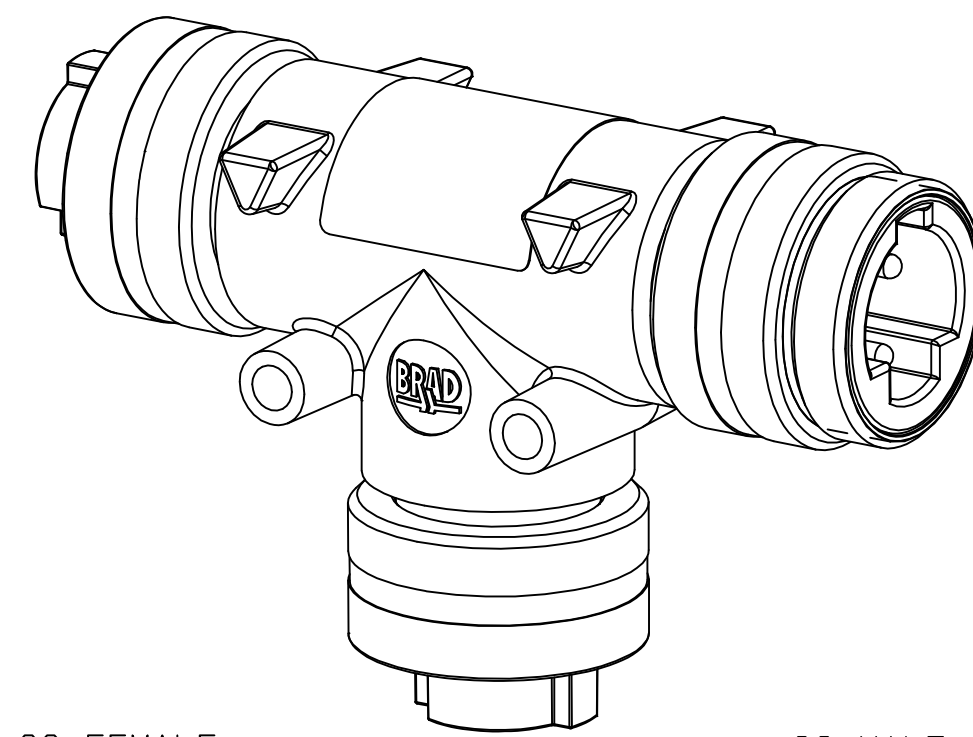
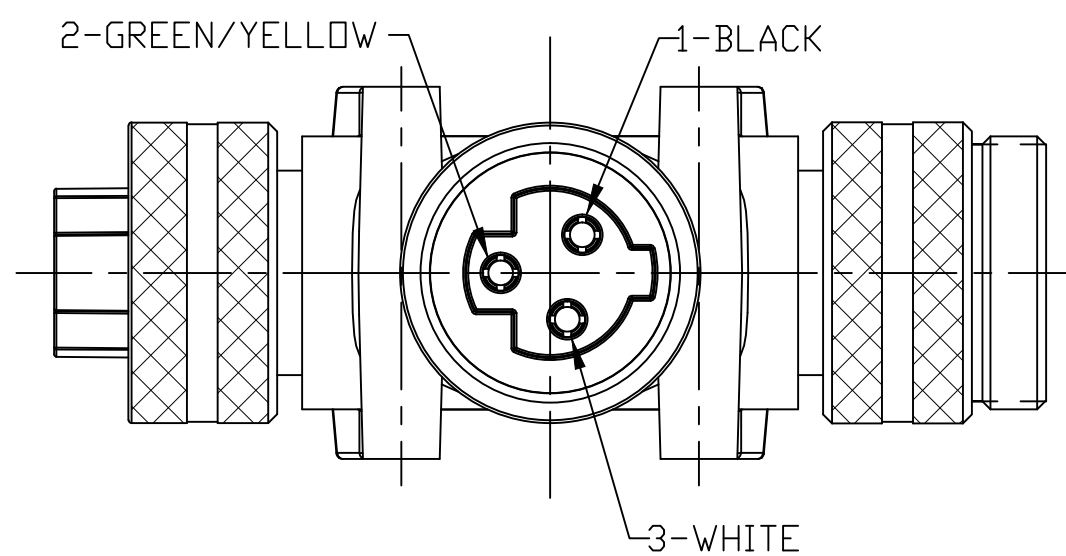


PART NUMBER	ENGINEERING NUMBER
1300680055	TC31C30-200



NOTES:

- MATERIAL: AS NOTED
- FINISH: AS NOTED
- ELECTRICAL:
VOLTAGE: 500V PER IEC60664
600V PER UL2237
MAX THRU CURRENT: 32A
MAX DROP CURRENT: 32A
- TEMP RATING: -20° TO +90°C
- PROTECTION: IP67 (WHEN MATED)
- CERTIFICATION:
UL LISTED/CSA CERTIFIED FILE NO: E258922



WIRE DIAGRAM

8	LABEL	POLYESTER	BLACK/DRANGE
7	QC SOCKET CONTACT	COPPER ALLOY	GOLD PLATED
6	QC FEMALE INSERT	PVC	BLACK
5	QC FEMALE COUPLING NUT	ALUMINUM	BLACK ANODIZE
4	QC PIN CONTACT	COPPER ALLOY	GOLD PLATED
3	QC MALE INSERT	PVC	BLACK
2	QC MALE COUPLING NUT	ALUMINUM	BLACK ANODIZE
1	OVERMOLD	PVC	BLACK
ITEM	DESCRIPTION	MATERIAL	FINISH

REV'D NOTE 3, COLORS EC NO: IPG2017-0829 DRWN: RSTONE 3/2/17 CH'KD: K COX 2017/03/10 APPR: BWOODMAN 2010/01/15	QUALITY SYMBOL	GENERAL TOLERANCES (UNLESS SPECIFIED)	DIMENSION STYLE	SCALE	DESIGN UNITS	THIRD ANGLE PROJECTION
	$\nabla=0$ $\sphericalangle=0$	4 PLACES ±--- ±--- 3 PLACES ±--- ±--- 2 PLACES ±--- ±--- 1 PLACE ±--- ±---	INCH	1:1	INCH	
	DRAFT WHERE APPLICABLE MUST REMAIN WITHIN DIMENSIONS	DRAWN BY DATE KJOZWIK 2010/01/14 CHECKED BY DATE BWOODMAN 2010/01/14 APPROVED BY DATE JFMURPHY 2010/01/15	TITLE BRAD POWER QC 3 POLE TEE W/3 POLE QC DROP			
	MATERIAL NO. SEE TABLE	MOLEX INCORPORATED DOCUMENT NO. SD-130068-008	SHEET NO. 1 OF 1			
SIZE C	THIS DRAWING CONTAINS INFORMATION THAT IS PROPRIETARY TO MOLEX INCORPORATED AND SHOULD NOT BE USED WITHOUT WRITTEN PERMISSION					