



Chipsmall Limited consists of a professional team with an average of over 10 year of expertise in the distribution of electronic components. Based in Hongkong, we have already established firm and mutual-benefit business relationships with customers from,Europe,America and south Asia,supplying obsolete and hard-to-find components to meet their specific needs.

With the principle of “Quality Parts,Customers Priority,Honest Operation,and Considerate Service”,our business mainly focus on the distribution of electronic components. Line cards we deal with include Microchip,ALPS,ROHM,Xilinx,Pulse,ON,Everlight and Freescale. Main products comprise IC,Modules,Potentiometer,IC Socket,Relay,Connector.Our parts cover such applications as commercial,industrial, and automotives areas.

We are looking forward to setting up business relationship with you and hope to provide you with the best service and solution. Let us make a better world for our industry!



Contact us

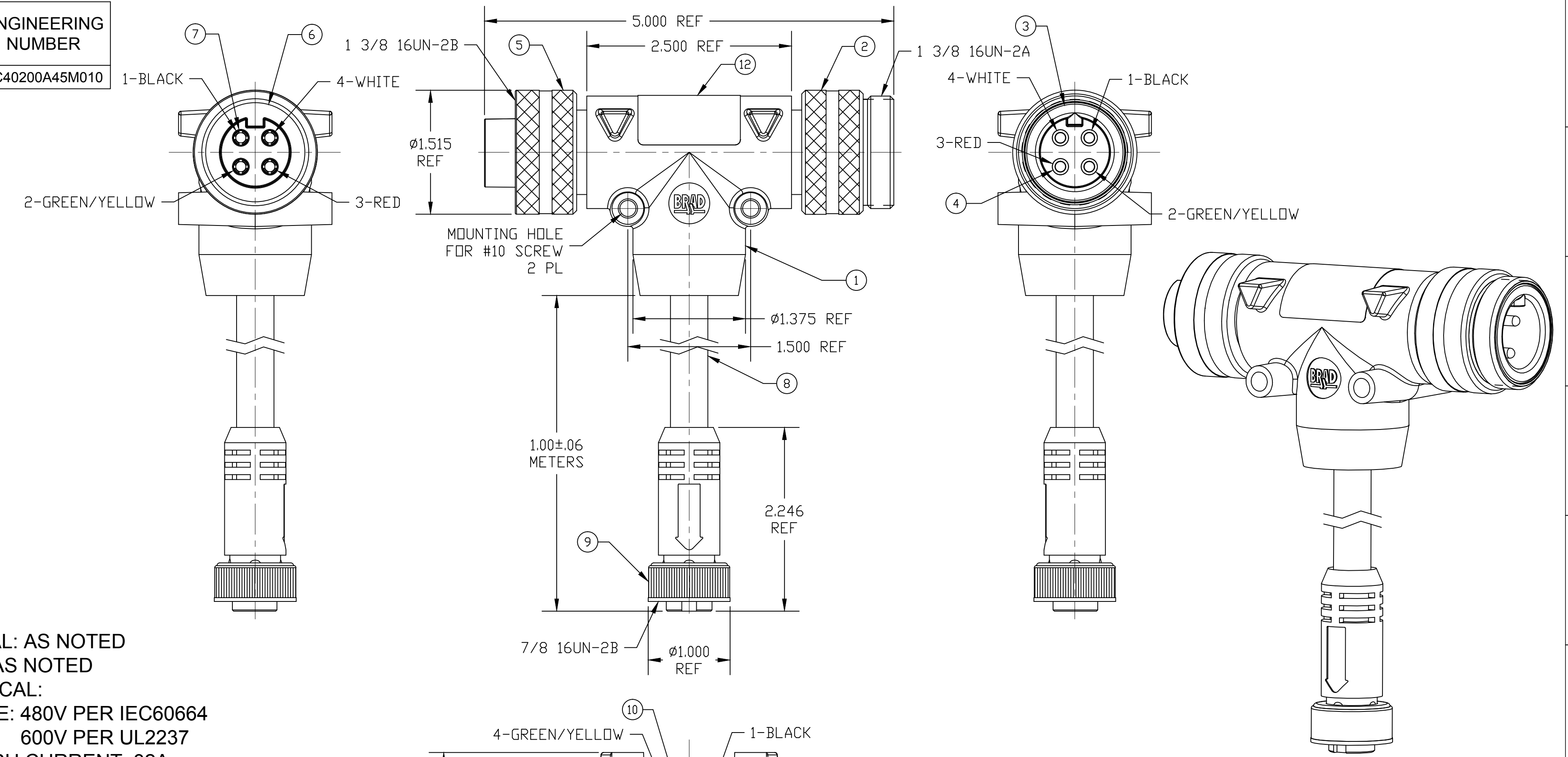
Tel: +86-755-8981 8866 Fax: +86-755-8427 6832

Email & Skype: info@chipsmall.com Web: www.chipsmall.com

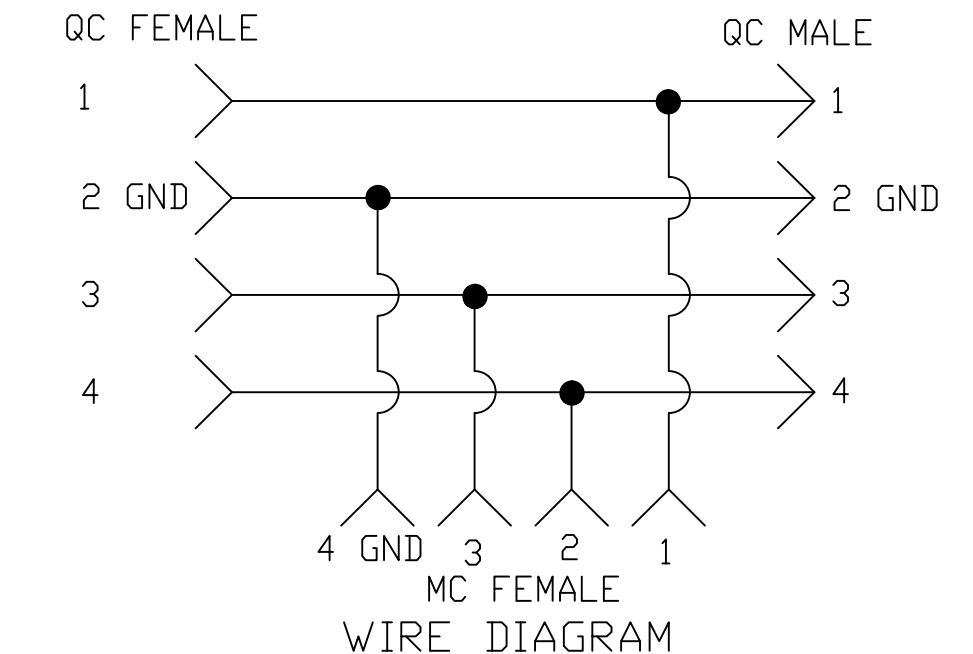
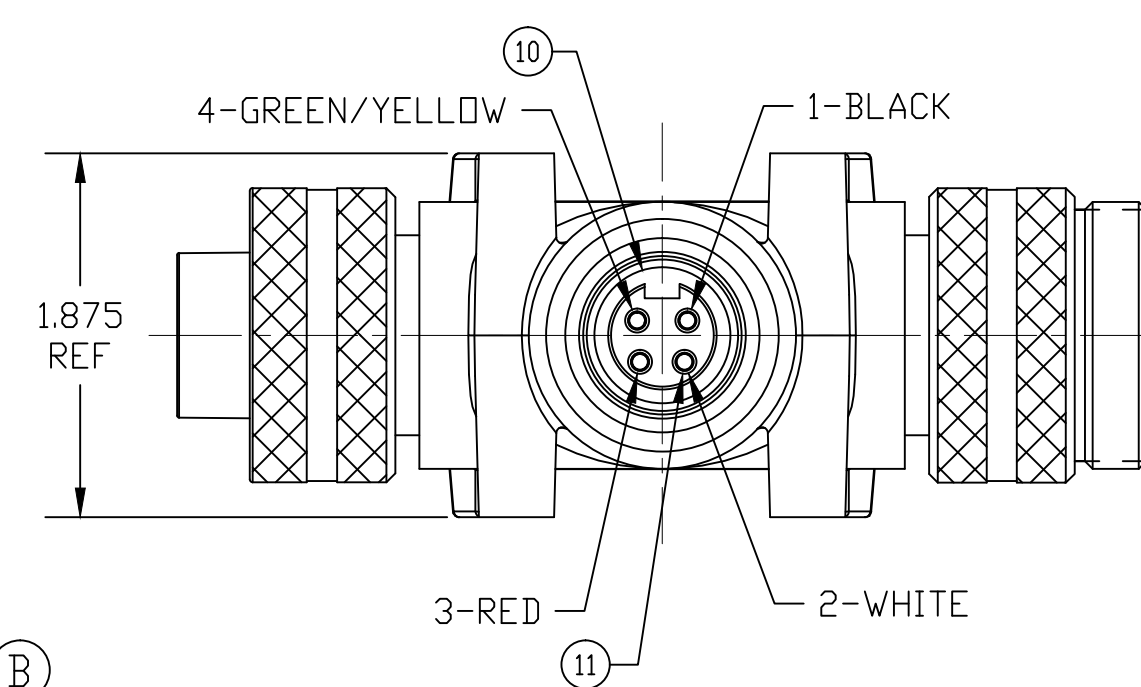
Address: A1208, Overseas Decoration Building, #122 Zhenhua RD., Futian, Shenzhen, China



| | |
|--------------------|---------------------------|
| PART NUMBER | ENGINEERING NUMBER |
| 1300680072 | TC40200A45M010 |



- NOTES:**
- MATERIAL:** AS NOTED
 - FINISH:** AS NOTED
 - ELECTRICAL:**
 VOLTAGE: 480V PER IEC60664
 600V PER UL2237
 MAX THRU CURRENT: 32A
 MAX DROP CURRENT: 10A (B)
 - TEMP RATING:** -20° TO +90°C
 - PROTECTION:** IP67 (WHEN MATED)
 - CERTIFICATION:**
 UL LISTED/CSA CERTIFIED FILE NO: E258922



| | | | |
|------|----------------------------------|--------------|---------------|
| 12 | LABEL | POLYESTER | BLACK/ORANGE |
| 11 | MC SOCKET CONTACT | COPPER ALLOY | GOLD PLATED |
| 10 | MC FEMALE INSERT | PVC | BLACK |
| 9 | MC COUPLING NUT | ZINC ALLOY | BLACK E-COAT |
| 8 | CABLE, 16AWG-3 TYPE TC-ER, STDDW | PVC | GRAY |
| 7 | QC SOCKET CONTACT | COPPER ALLOY | GOLD PLATED |
| 6 | QC FEMALE INSERT | PVC | BLACK |
| 5 | QC FEMALE COUPLING NUT | ALUMINUM | CLEAR ANODIZE |
| 4 | QC PIN CONTACT | COPPER ALLOY | GOLD PLATED |
| 3 | QC MALE INSERT | PVC | BLACK |
| 2 | QC MALE COUPLING NUT | ALUMINUM | CLEAR ANODIZE |
| 1 | OVERMOLD | PVC | GRAY |
| ITEM | DESCRIPTION | MATERIAL | FINISH |

| | | | | | | | | | |
|---|-------------------------------|---|--|--------------------------------|--------------------|---|----------------------|------------------------|--|
| REV'D NOTE 3 EC NO: IPG2017-0829 DRWN: RSTONE 3/3/17 CHK'D: K COX 2017/03/10 APPR: BWOODMAN2010/01/20 | QUALITY SYMBOL ▽=0 ▽C=0 | GENERAL TOLERANCES (UNLESS SPECIFIED) | | DIMENSION STYLE INCH | | SCALE --- | DESIGN UNITS INCH | THIRD ANGLE PROJECTION | |
| | | 4 PLACES ±--- ±--- 3 PLACES ±--- ±--- 2 PLACES ±--- ±--- 1 PLACE ±--- ±--- | mm INCH ±--- ±--- ±--- ±--- ±--- ±--- | DRAWN BY KJOZWIK | DATE 2010/01/18 | TITLE BRAD POWER QC 4 POLE TEE W/4 POLE MC CBL DROP | | | |
| | | ANGULAR ±---° DRAFT WHERE APPLICABLE MUST REMAIN WITHIN DIMENSIONS | | CHECKED BY BWOODMAN | DATE 2010/01/18 | MOLEX INCORPORATED | | | |
| | | | | APPROVED BY JFMURPHY | DATE 2010/01/20 | | | | |
| MATERIAL NO. SEE TABLE | | DOCUMENT NO. SD-130068-015 | | SHEET NO. 1 OF 1 | | | | | |
| THIS DRAWING CONTAINS INFORMATION THAT IS PROPRIETARY TO MOLEX INCORPORATED AND SHOULD NOT BE USED WITHOUT WRITTEN PERMISSION | | | | | | | | | |