



Chipsmall Limited consists of a professional team with an average of over 10 year of expertise in the distribution of electronic components. Based in Hongkong, we have already established firm and mutual-benefit business relationships with customers from,Europe,America and south Asia,supplying obsolete and hard-to-find components to meet their specific needs.

With the principle of “Quality Parts,Customers Priority,Honest Operation,and Considerate Service”,our business mainly focus on the distribution of electronic components. Line cards we deal with include Microchip,ALPS,ROHM,Xilinx,Pulse,ON,Everlight and Freescale. Main products comprise IC,Modules,Potentiometer,IC Socket,Relay,Connector.Our parts cover such applications as commercial,industrial, and automotives areas.

We are looking forward to setting up business relationship with you and hope to provide you with the best service and solution. Let us make a better world for our industry!



Contact us

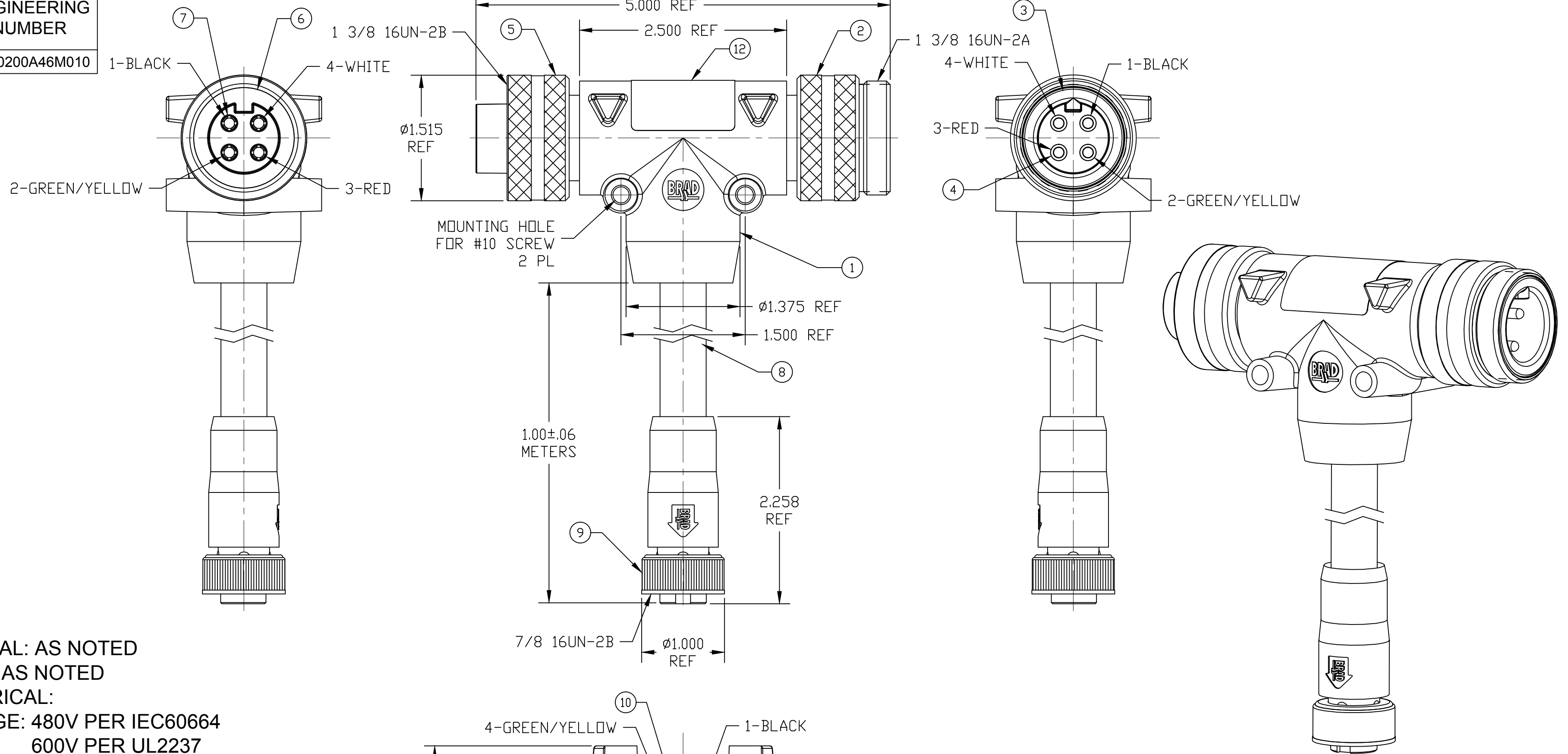
Tel: +86-755-8981 8866 Fax: +86-755-8427 6832

Email & Skype: info@chipsmall.com Web: www.chipsmall.com

Address: A1208, Overseas Decoration Building, #122 Zhenhua RD., Futian, Shenzhen, China



PART NUMBER	ENGINEERING NUMBER
1300680075	TC40200A46M010



NOTES:

1. MATERIAL: AS NOTED
2. FINISH: AS NOTED
3. ELECTRICAL:
VOLTAGE: 480V PER IEC60664
600V PER UL2237
MAX THRU CURRENT: 32A
MAX DROP CURRENT: 15A (B)
4. TEMP RATING: -20° TO +90°C
5. PROTECTION: IP67 (WHEN MATED)
6. CERTIFICATION:
UL LISTED/CSA CERTIFIED FILE NO: E258922

ITEM	DESCRIPTION	MATERIAL	FINISH
12	LABEL	POLYESTER	BLACK/ORANGE
11	MC SOCKET CONTACT	COPPER ALLOY	GOLD PLATED
10	MC FEMALE INSERT	PVC	BLACK
9	MC COUPLING NUT	ZINC ALLOY	BLACK E-COAT
8	CABLE, 14AWG-3 TYPE TC-ER, STDDW	PVC	GRAY
7	QC SOCKET CONTACT	COPPER ALLOY	GOLD PLATED
6	QC FEMALE INSERT	PVC	BLACK
5	QC FEMALE COUPLING NUT	ALUMINUM	CLEAR ANODIZE
4	QC PIN CONTACT	COPPER ALLOY	GOLD PLATED
3	QC MALE INSERT	PVC	BLACK
2	QC MALE COUPLING NUT	ALUMINUM	CLEAR ANODIZE
1	OVERMOLD	PVC	GRAY

(B)

REV D	DESCRIPTION
B	REV

REVD NOTE 3	QUALITY SYMBOL
EC NO: IPG2017-0829	▽=0
DRWN: RSTONE	∇=0
CH'KD: K COX	
APPR: BWOODMAN	

GENERAL TOLERANCES (UNLESS SPECIFIED)	
	mm INCH
4 PLACES	±--- ±---
3 PLACES	±--- ±---
2 PLACES	±--- ±---
1 PLACE	±--- ±---
ANGULAR ±---°	
DRAFT WHERE APPLICABLE MUST REMAIN WITHIN DIMENSIONS	

DIMENSION STYLE	
INCH	
DRAWN BY	DATE
KJOZWIK	2010/01/18
CHECKED BY	DATE
BWOODMAN	2010/01/18
APPROVED BY	DATE
JFMURPHY	2010/01/20
MATERIAL NO.	
SEE TABLE	
SIZE	
C	

SCALE	DESIGN UNITS	THIRD ANGLE PROJECTION	
---	INCH		
TITLE			
BRAD POWER			
QC 4 POLE TEE			
W/4 POLE MC CBL DROP			
MOLEX INCORPORATED			
DOCUMENT NO.		SHEET NO.	
SD-130068-016		1 OF 1	
THIS DRAWING CONTAINS INFORMATION THAT IS PROPRIETARY TO MOLEX INCORPORATED AND SHOULD NOT BE USED WITHOUT WRITTEN PERMISSION			