



Chipsmall Limited consists of a professional team with an average of over 10 year of expertise in the distribution of electronic components. Based in Hongkong, we have already established firm and mutual-benefit business relationships with customers from,Europe,America and south Asia,supplying obsolete and hard-to-find components to meet their specific needs.

With the principle of “Quality Parts,Customers Priority,Honest Operation,and Considerate Service”,our business mainly focus on the distribution of electronic components. Line cards we deal with include Microchip,ALPS,ROHM,Xilinx,Pulse,ON,Everlight and Freescale. Main products comprise IC,Modules,Potentiometer,IC Socket,Relay,Connector.Our parts cover such applications as commercial,industrial, and automotives areas.

We are looking forward to setting up business relationship with you and hope to provide you with the best service and solution. Let us make a better world for our industry!



## Contact us

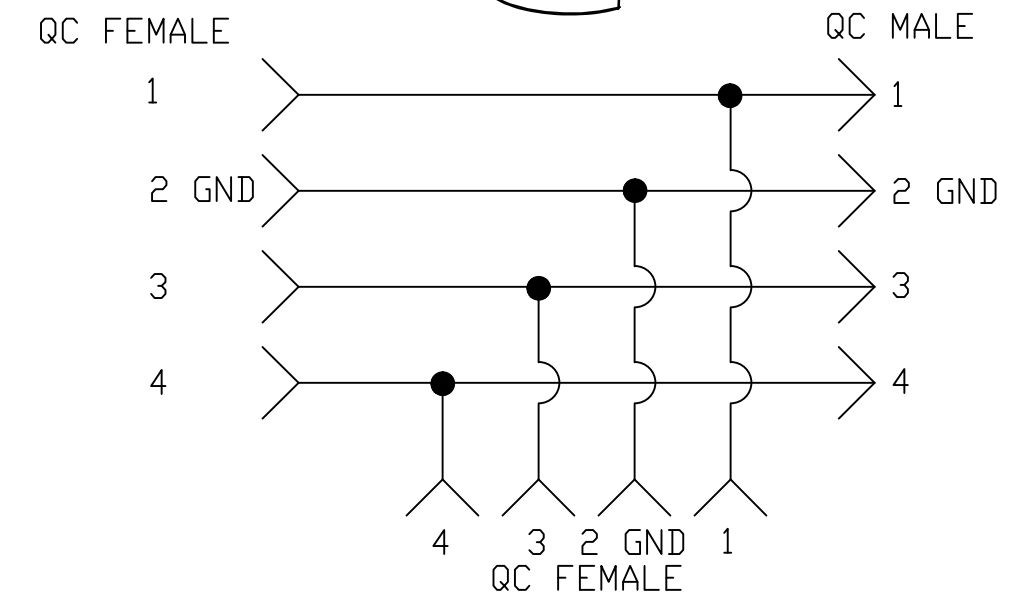
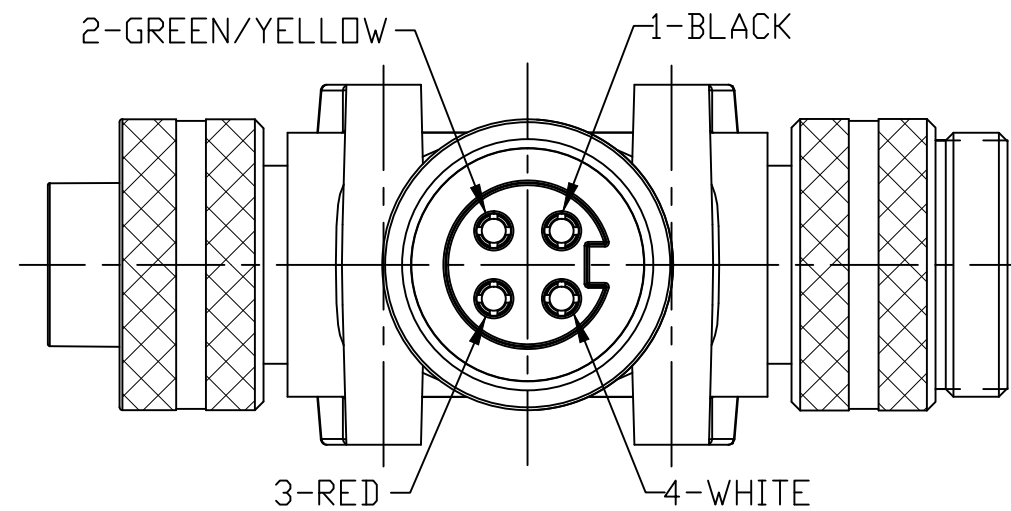
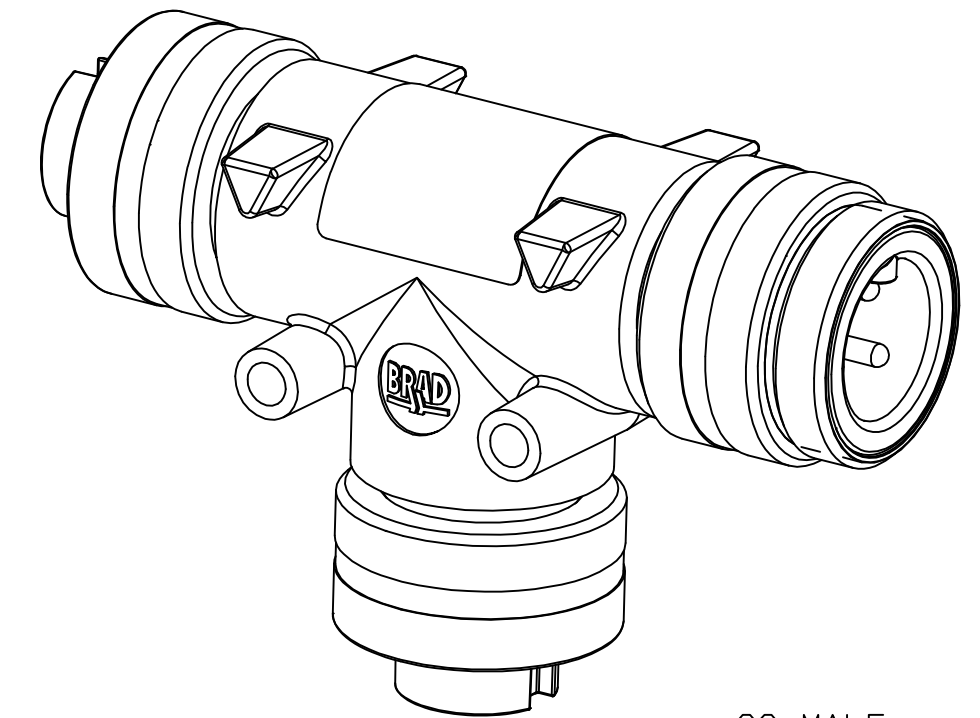
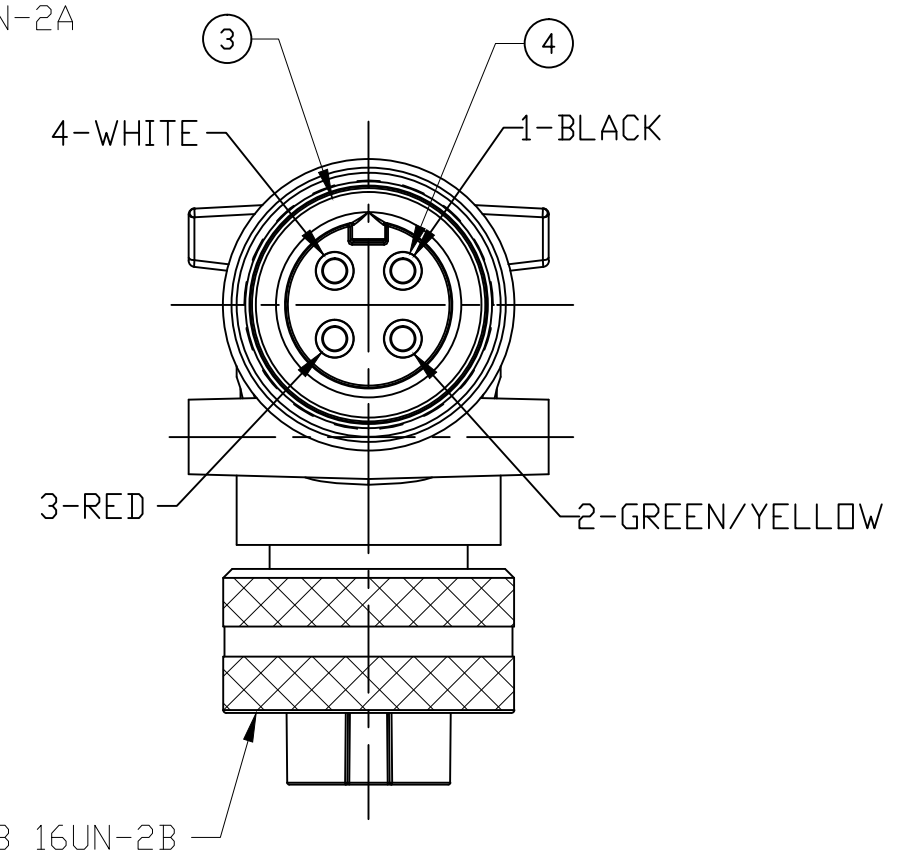
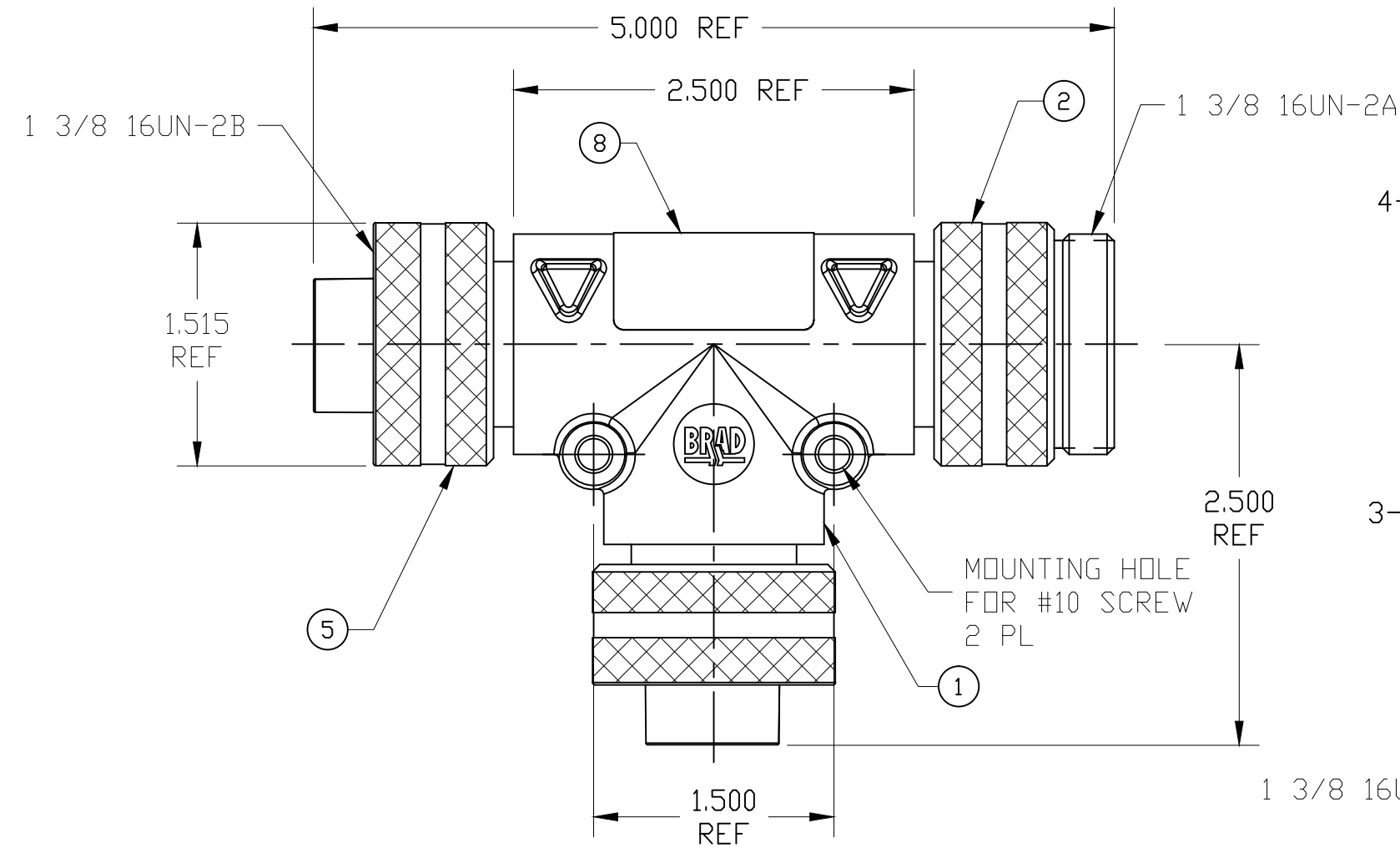
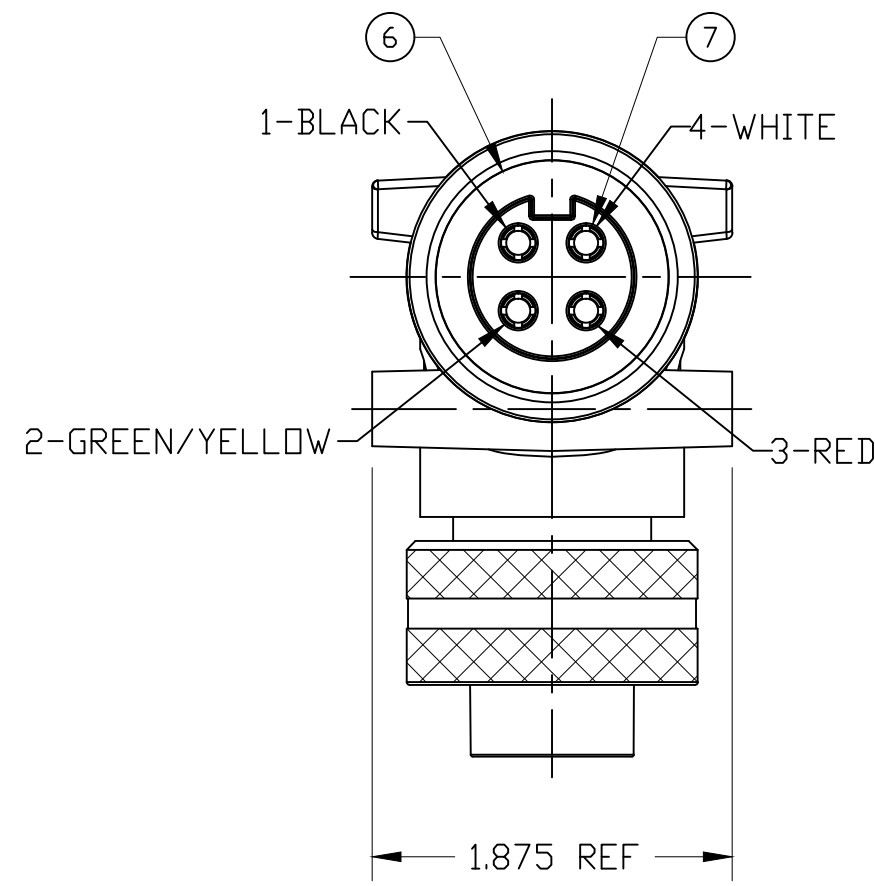
Tel: +86-755-8981 8866 Fax: +86-755-8427 6832

Email & Skype: info@chipsmall.com Web: www.chipsmall.com

Address: A1208, Overseas Decoration Building, #122 Zhenhua RD., Futian, Shenzhen, China



PART NUMBER	ENGINEERING NUMBER
1300680079	TC40C40-200



WIRE DIAGRAM

- NOTES:**
- MATERIAL: AS NOTED
  - FINISH: AS NOTED
  - ELECTRICAL:  
VOLTAGE: 480V PER IEC60664  
600V PER UL2237  
MAX THRU CURRENT: 32A  
MAX DROP CURRENT: 32A
  - TEMP RATING: -20° TO +90°C
  - PROTECTION: IP67 (WHEN MATED)
  - CERTIFICATION:  
UL LISTED/CSA CERTIFIED FILE NO: E258922

ITEM	DESCRIPTION	MATERIAL	FINISH
8	LABEL	POLYESTER	BLACK/ORANGE
7	QC SOCKET CONTACT	COPPER ALLOY	GOLD PLATED
6	QC FEMALE INSERT	PVC	BLACK
5	QC FEMALE COUPLING NUT	ALUMINUM	CLEAR ANODIZE
4	QC PIN CONTACT	COPPER ALLOY	GOLD PLATED
3	QC MALE INSERT	PVC	BLACK
2	QC MALE COUPLING NUT	ALUMINUM	CLEAR ANODIZE
1	OVERMOLD	PVC	GRAY

REVISED NOTE 3 EC NO: IPG2017-0829 DRWN: RSTONE 3/3/17 CH'KD: K COX 2017/03/10 APPR: BWOODMAN 2010/01/15	QUALITY SYMBOL ▽=0 ◻=0	GENERAL TOLERANCES (UNLESS SPECIFIED) 4 PLACES ±--- ±--- 3 PLACES ±--- ±--- 2 PLACES ±--- ±--- 1 PLACE ±--- ±--- ANGULAR ±---°	DIMENSION STYLE INCH DRAWN BY DATE KJOZWIK 2010/01/14 CHECKED BY DATE BWOODMAN 2010/01/14 APPROVED BY DATE JFMURPHY 2010/01/15	SCALE --- DESIGN UNITS INCH THIRD ANGLE PROJECTION	TITLE <b>BRAD POWER QC 4 POLE TEE W/4 POLE QC DROP</b> <b>MOLEX INCORPORATED</b> MATERIAL NO. SEE TABLE DOCUMENT NO. SD-130068-010 SHEET NO. 1 OF 1
	DRAFT WHERE APPLICABLE MUST REMAIN WITHIN DIMENSIONS		THIS DRAWING CONTAINS INFORMATION THAT IS PROPRIETARY TO MOLEX INCORPORATED AND SHOULD NOT BE USED WITHOUT WRITTEN PERMISSION		