



Chipsmall Limited consists of a professional team with an average of over 10 year of expertise in the distribution of electronic components. Based in Hongkong, we have already established firm and mutual-benefit business relationships with customers from,Europe,America and south Asia,supplying obsolete and hard-to-find components to meet their specific needs.

With the principle of “Quality Parts,Customers Priority,Honest Operation,and Considerate Service”,our business mainly focus on the distribution of electronic components. Line cards we deal with include Microchip,ALPS,ROHM,Xilinx,Pulse,ON,Everlight and Freescale. Main products comprise IC,Modules,Potentiometer,IC Socket,Relay,Connector.Our parts cover such applications as commercial,industrial, and automotives areas.

We are looking forward to setting up business relationship with you and hope to provide you with the best service and solution. Let us make a better world for our industry!



Contact us

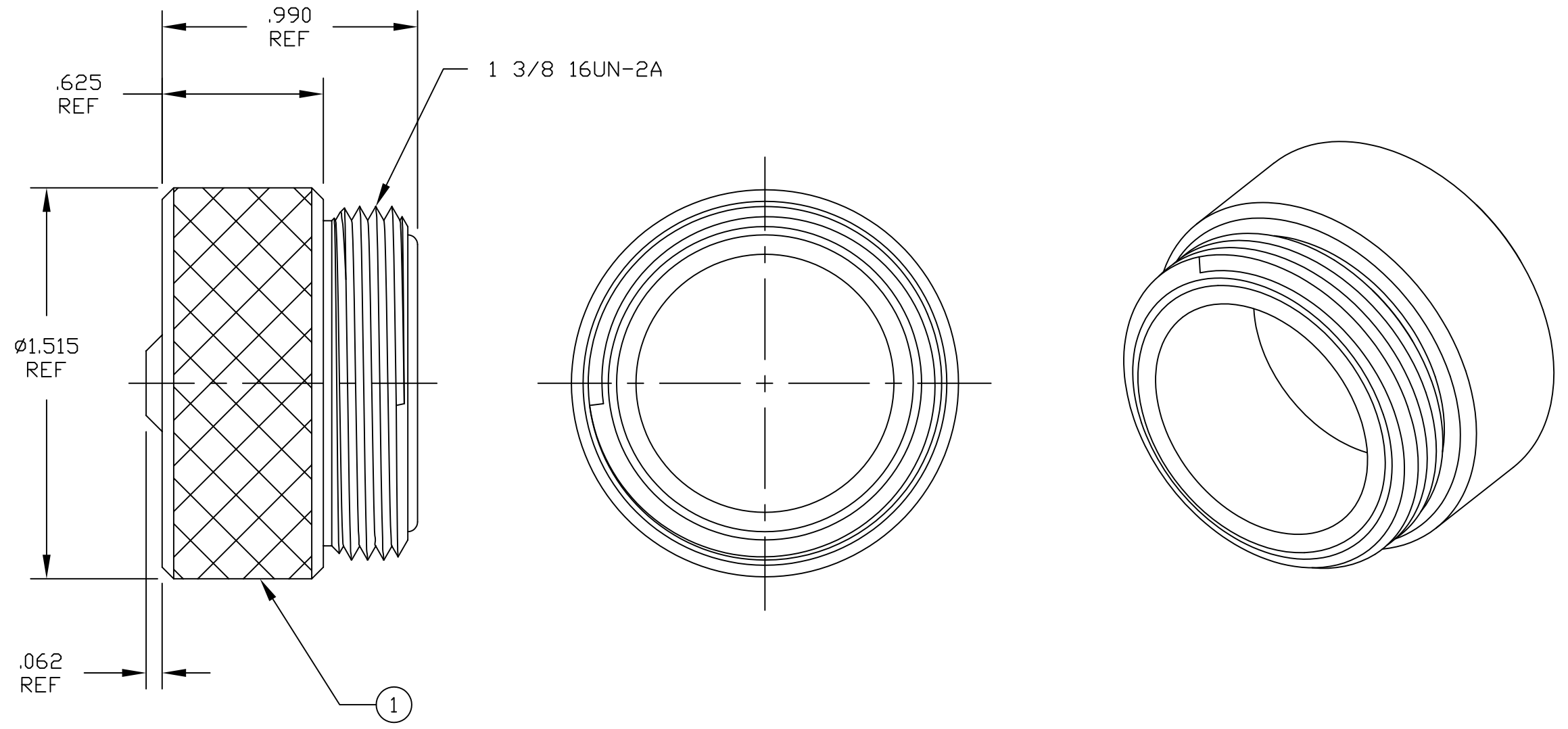
Tel: +86-755-8981 8866 Fax: +86-755-8427 6832

Email & Skype: info@chipsmall.com Web: www.chipsmall.com

Address: A1208, Overseas Decoration Building, #122 Zhenhua RD., Futian, Shenzhen, China



PART NUMBER	ENGINEERING NUMBER
1300700018	55-0198



- NOTE:
- SPECIFICATIONS:
QC MALE CLOSURE CAP
TEMPERATURE RANGE: -20°C TO 90°C
 - PACKAGING:
PART IS PACKAGED IN A POLY BAG WITH A BAR CODE LABEL ATTACHED TO THE OUTSIDE OF THE BAG.
 - ASSEMBLY IS RoHS COMPLIANT

1	1	QC MALE CLOSURE CAP	ALUMINUM	CLEAR ANODIZE
ITEM	QTY	DESCRIPTION	MATERIAL	FINISH

INITIAL RELEASE EC NO: WNA2010-0439 DRWN: KJOZWIK 2010/01/19 CH'KD: BWOODMAN APPR: JFMURPHY 2010/01/20	QUALITY SYMBOLS	GENERAL TOLERANCES (UNLESS SPECIFIED)		DIMENSION STYLE IN/MM		SCALE 2:1	DESIGN UNITS INCH	THIRD ANGLE PROJECTION	
	▽=0 ▽=0	4 PLACES	mm ±---	INCH ±---	DRAWN BY KJOZWIK	DATE 2010/01/19	TITLE BRAD POWER QC MALE CLOSURE CAP		
		3 PLACES	±---	±.005	CHECKED BY BWOODMAN	DATE 2010/01/19			
		2 PLACES	±0.13	±.010	APPROVED BY JFMURPHY	DATE 2010/01/20	MATERIAL NO. SEE TABLE	DOCUMENT NO. SD-130070-004	SHEET NO. 1 OF 1
1 PLACE	±0.25	±.020	ANGULAR ±1/2°		THIS DRAWING CONTAINS INFORMATION THAT IS PROPRIETARY TO MOLEX INCORPORATED AND SHOULD NOT BE USED WITHOUT WRITTEN PERMISSION				
DRAFT WHERE APPLICABLE MUST REMAIN WITHIN DIMENSIONS		SEE TABLE							

F
E
D
C
B
A

F
E
D
C
B
A