



Chipsmall Limited consists of a professional team with an average of over 10 year of expertise in the distribution of electronic components. Based in Hongkong, we have already established firm and mutual-benefit business relationships with customers from,Europe,America and south Asia,supplying obsolete and hard-to-find components to meet their specific needs.

With the principle of “Quality Parts,Customers Priority,Honest Operation,and Considerate Service”,our business mainly focus on the distribution of electronic components. Line cards we deal with include Microchip,ALPS,ROHM,Xilinx,Pulse,ON,Everlight and Freescale. Main products comprise IC,Modules,Potentiometer,IC Socket,Relay,Connector.Our parts cover such applications as commercial,industrial, and automotives areas.

We are looking forward to setting up business relationship with you and hope to provide you with the best service and solution. Let us make a better world for our industry!



Contact us

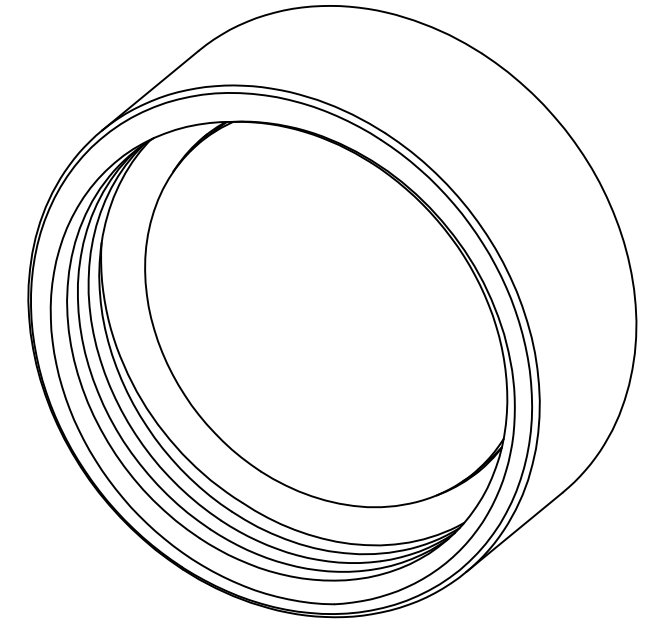
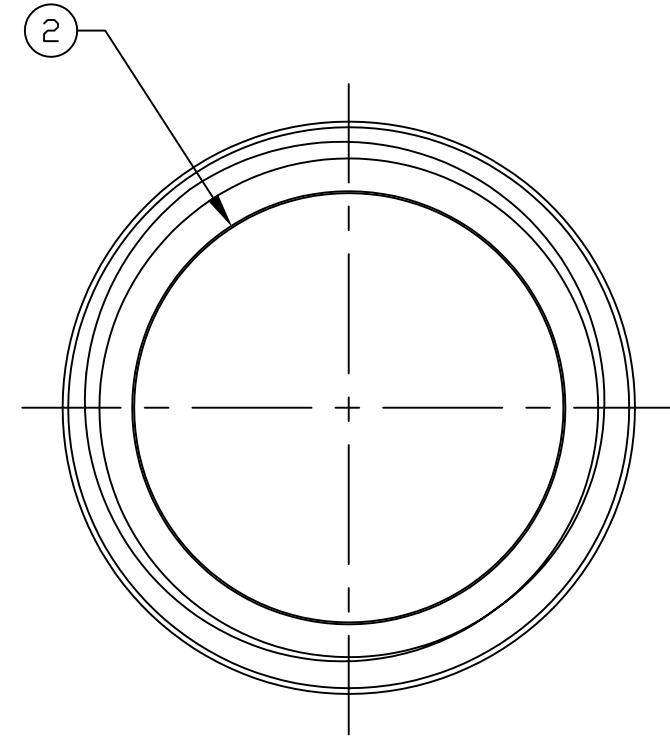
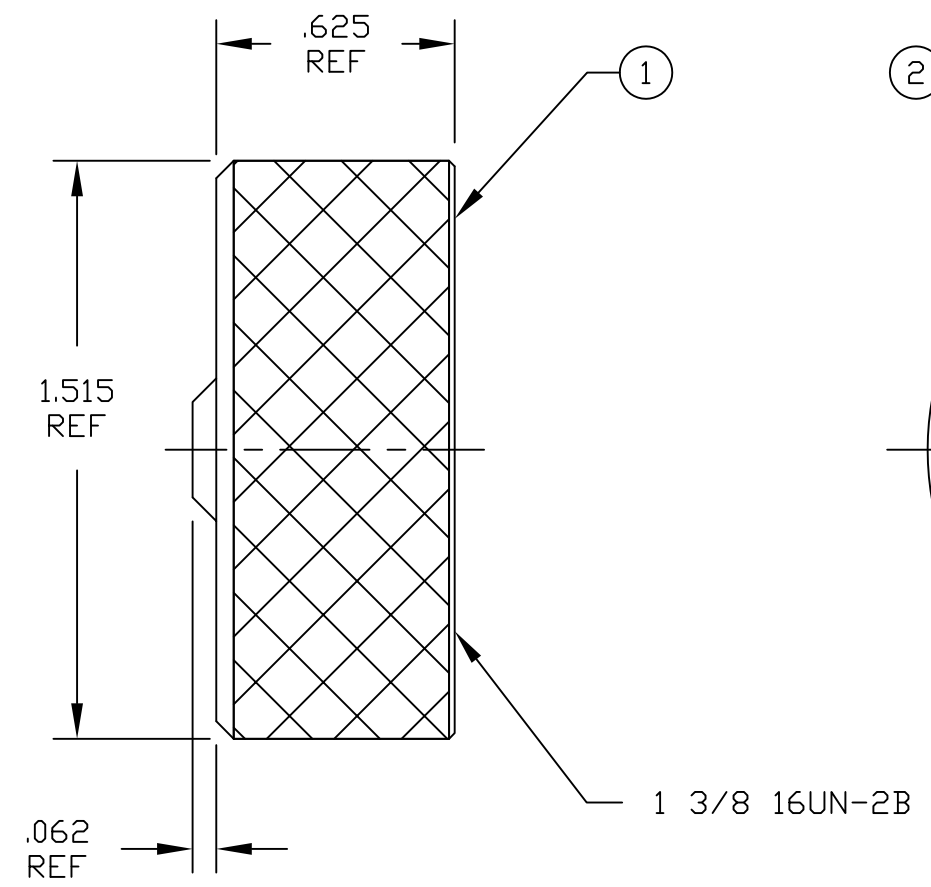
Tel: +86-755-8981 8866 Fax: +86-755-8427 6832

Email & Skype: info@chipsmall.com Web: www.chipsmall.com

Address: A1208, Overseas Decoration Building, #122 Zhenhua RD., Futian, Shenzhen, China



PART NUMBER	ENGINEERING NUMBER
1300700019	55-0298



NOTE:

- 1) SPECIFICATIONS:
QC FEMALE CLOSURE CAP
TEMPERATURE RANGE: -20°C TO 90°C
- 2) PACKAGING:
PART IS PACKAGED IN A POLY BAG WITH A BAR CODE LABEL ATTACHED TO THE OUTSIDE OF THE BAG.
- 3) ASSEMBLY IS RoHS COMPLIANT

ITEM	QTY	DESCRIPTION	MATERIAL	FINISH
2	1	GASKET	NEOPRENE	BLACK
1	1	QC FEMALE CLOSURE CAP	ALUMINUM	CLEAR ANODIZE

INITIAL RELEASE
EC NO: WNA2010-0439
DRWN: KJOZWIK 2010/01/19
CHKD: BWOODMAN
APPR: JFMURPHY 2010/01/20

QUALITY SYMBOLS
▽=0
▽C=0

GENERAL TOLERANCES (UNLESS SPECIFIED)		
	mm	INCH
4 PLACES	±---	±---
3 PLACES	±---	±.005
2 PLACES	±0.13	±.010
1 PLACE	±0.25	±.020
ANGULAR ±1/2°		
DRAFT WHERE APPLICABLE MUST REMAIN WITHIN DIMENSIONS		

DIMENSION STYLE	
IN	
DRAWN BY	DATE
KJOZWIK	2010/01/19
CHECKED BY	DATE
BWOODMAN	2010/01/19
APPROVED BY	DATE
JFMURPHY	2010/01/20
MATERIAL NO.	
SEE TABLE	

SCALE	DESIGN UNITS	THIRD ANGLE PROJECTION	
1:1	INCH		
TITLE			
BRAD POWER QC FEMALE CLOSURE CAP			

MATERIAL NO.		DOCUMENT NO.	
SEE TABLE		SD-130070-005	
SHEET NO.			1 OF 1

THIS DRAWING CONTAINS INFORMATION THAT IS PROPRIETARY TO MOLEX INCORPORATED AND SHOULD NOT BE USED WITHOUT WRITTEN PERMISSION