



Chipsmall Limited consists of a professional team with an average of over 10 year of expertise in the distribution of electronic components. Based in Hongkong, we have already established firm and mutual-benefit business relationships with customers from,Europe,America and south Asia,supplying obsolete and hard-to-find components to meet their specific needs.

With the principle of “Quality Parts,Customers Priority,Honest Operation,and Considerate Service”,our business mainly focus on the distribution of electronic components. Line cards we deal with include Microchip,ALPS,ROHM,Xilinx,Pulse,ON,Everlight and Freescale. Main products comprise IC,Modules,Potentiometer,IC Socket,Relay,Connector.Our parts cover such applications as commercial,industrial, and automotives areas.

We are looking forward to setting up business relationship with you and hope to provide you with the best service and solution. Let us make a better world for our industry!



Contact us

Tel: +86-755-8981 8866 Fax: +86-755-8427 6832

Email & Skype: info@chipsmall.com Web: www.chipsmall.com

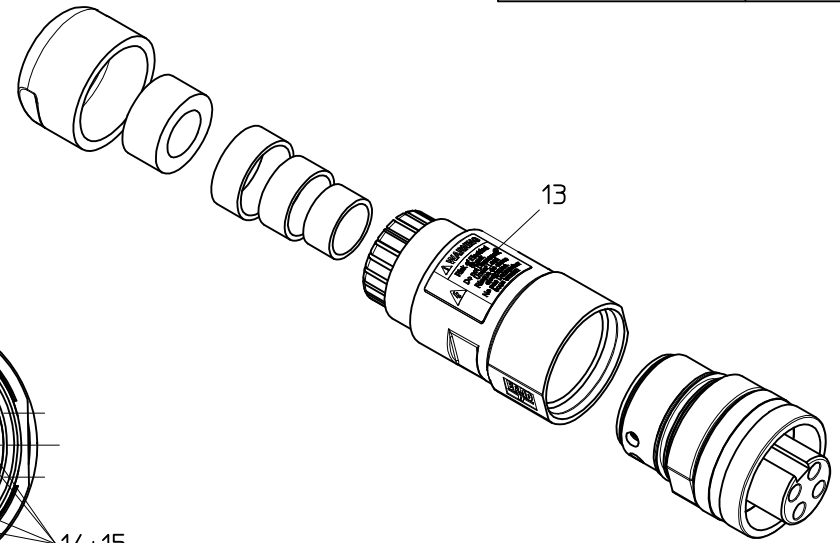
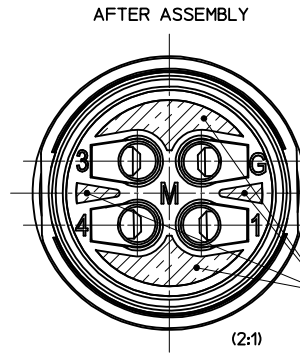
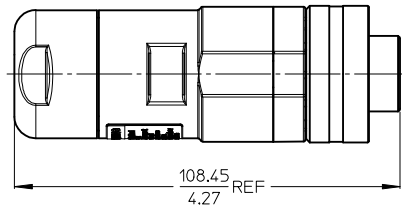
Address: A1208, Overseas Decoration Building, #122 Zhenhua RD., Futian, Shenzhen, China



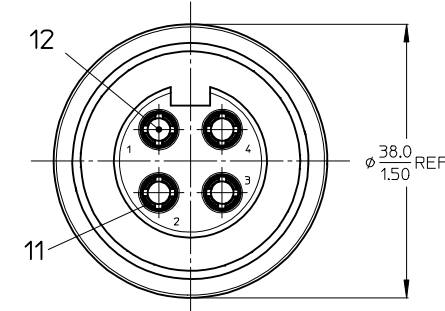
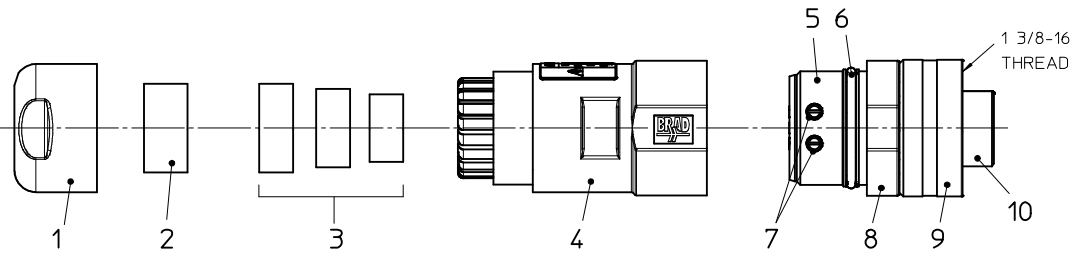
NOTES:

1. MATERIAL: SEE TABLE
2. FINISHES: SEE TABLE
3. PACKAGING: PART IS PACKED IN CLEAR POLY BAG WITH BARCODE LABEL ATTACHED
4. MATES WITH: BRAD MALE RECEPTACLE
5. WIRE RANGE: 8 AWG - 14 AWG (10mm² - 2.5mm²)
6. CABLE OD RANGE: .48 - .81 (12.2mm - 20.6mm)
7. ELECTRICAL SPECIFICATIONS:
 - VOLTAGE RATING: 600V AC
 - CURRENT RATING:
 - 8 AWG - 32 AMPS
 - 10 AWG - 32 AMPS
 - 12 AWG - 20 AMPS
 - 14 AWG - 15 AMPS
8. ENVIRONMENTAL PROTECTION: IP67, IP69K

MATERIAL NO.	ENGINEERING NO.
1300700023 (FINISHED PART)	CA4000-39
1203360005 (PRE-ASSEMBLED)	1930 00090 08004



14+15
ULTIMATE HEIGH POTTING MATERIAL
ABOUT 2mm UNTIL UNDER THE EDGE



ITEM	COMPONENT	MATERIAL	FINISH
1	NUT M32	PA66	BK
2	GASKET MO 14.8x12.25	CR	GY
3	GASKETS MO (SMALL,MEDIUM,LARGE)	CR	BK
4	HOUSING FA M32	PA66	BK
5	INSERT ADAPTER	PA66	BK
6	GASKET OR 29x2.5	NBR	BK
7	SCREW M4x10	V2A	-
8	COUPLING RING	PA66	BK
9	NUT, INTERNAL THREAD	AL	AN (NATUR)
10	INSERT AC	PVC	-
11	SLEEVE	BRASS ALLOY	ZN
12	CONTACT 31.2MM FE	CU ALLOY	AU PLATED
13	WARNING LABEL	PLASTIC FILM	-
14	POTTING MATERIAL	WEVO RESIN PU 552 FL NATUR 50	-
15	MPIS RESIN HARDNER	-	-

CURRENT WAS 25 AMPS EC NO: IFC2017-0717 DRWNR:STONE 2017/01/26 CHKD:K COX 2017/01/30 APPR:WOODMAN 2017/02/04 C	QUALITY SYMBOLS ▼=0 ▽=0 DESCRIPTION	GENERAL TOLERANCES (UNLESS SPECIFIED)		DIMENSION STYLE MM/IN		SCALE 1:1	DESIGN UNITS METRIC	THIRD ANGLE PROJECTION	
		4 PLACES ± --- ± --- 3 PLACES ± --- ± --- 2 PLACES ± --- ± .01 1 PLACE ± 0.3 ± --- 0 PLACE ± --- ± ---	mm INCH	DRAWN BY RSCHIEBER	DATE 2012/10/10	TITLE FA 4P AC FE STR UNSH			
		ANGULAR ±1/2° DRAFT WHERE APPLICABLE MUST REMAIN WITHIN DIMENSIONS		CHECKED BY APOHL	DATE 2012/10/24	APPROVED BY CBURGER			
		SIZE A 2		MATERIAL NO. SEE CHART	DOCUMENT NO. SD-120336-001	SHEET NO. 1 OF 1			

THIS DRAWING CONTAINS INFORMATION THAT IS PROPRIETARY TO MOLEX INCORPORATED AND SHOULD NOT BE USED WITHOUT WRITTEN PERMISSION