

Chipsmall Limited consists of a professional team with an average of over 10 year of expertise in the distribution of electronic components. Based in Hongkong, we have already established firm and mutual-benefit business relationships with customers from,Europe,America and south Asia,supplying obsolete and hard-to-find components to meet their specific needs.

With the principle of “Quality Parts,Customers Priority,Honest Operation,and Considerate Service”,our business mainly focus on the distribution of electronic components. Line cards we deal with include Microchip,ALPS,ROHM,Xilinx,Pulse,ON,Everlight and Freescale. Main products comprise IC,Modules,Potentiometer,IC Socket,Relay,Connector.Our parts cover such applications as commercial,industrial, and automotives areas.

We are looking forward to setting up business relationship with you and hope to provide you with the best service and solution. Let us make a better world for our industry!



Contact us

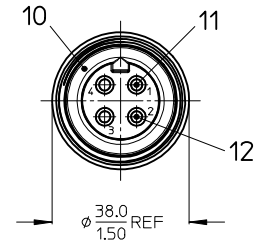
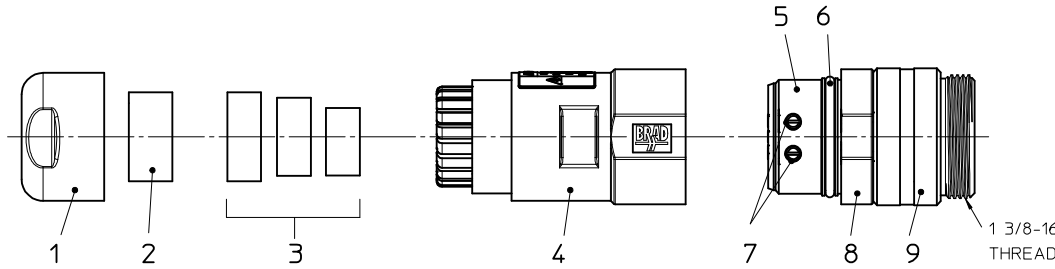
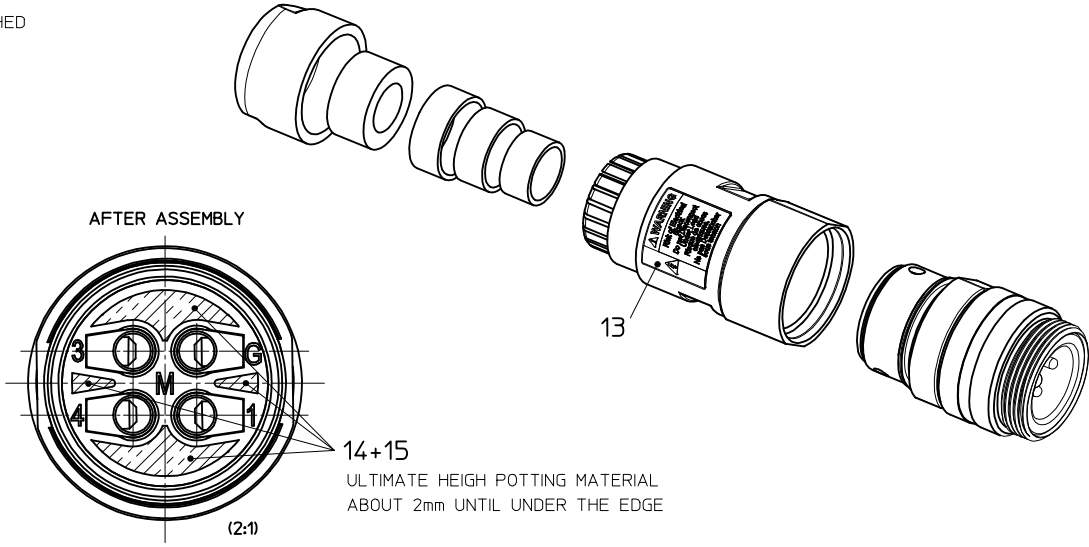
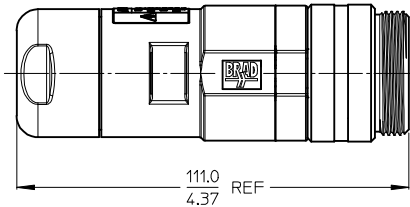
Tel: +86-755-8981 8866 Fax: +86-755-8427 6832

Email & Skype: info@chipsmall.com Web: www.chipsmall.com

Address: A1208, Overseas Decoration Building, #122 Zhenhua RD., Futian, Shenzhen, China

NOTES:

1. MATERIAL: SEE TABLE
2. FINISHES: SEE TABLE
3. PACKAGING: PART IS PACKED IN CLEAR POLY BAG WITH BARCODE LABEL ATTACHED
4. MATES WITH: BRAD FEMALE RECEPTACLE
5. WIRE RANGE: 8 AWG - 14 AWG (10mm² - 2.5mm²)
6. CABLE OD RANGE: .48 - .81 (12.2mm - 20.6mm)
7. ELECTRICAL SPECIFICATIONS:
 VOLTAGE RATING: 600V AC
 CURRENT RATING:
 8 AWG - 32 AMPS
 10 AWG - 32 AMPS **(B)**
 12 AWG - 20 AMPS
 14 AWG - 15 AMPS
8. ENVIRONMENTAL PROTECTION: IP67, IP69K



ITEM	COMPONENT	MATERIAL	FINISH
1	NUT M32	PA66	BK
2	GASKET MO 14,8x12,25	CR	GY
3	GASKETS MO (SMALL,MEDIUM,LARGE)	CR	BK
4	HOUSING FA M32	PA66	BK
5	INSERT ADAPTER	PA66	BK
6	GASKET OR 29x2,5	NBR	BK
7	SCREW M4x10	V2A	-
8	COUPLING RING	PA66	BK
9	NUT, INTERNAL THREAD	AL	AN (NATUR)
10	INSERT AC	PVC	-
11	CONTACT MA	CU ALLOY	AU PLATED
12	CONTACT MA LEAD, PIN	CU ALLOY	AU PLATED
13	WARNING LABEL	PLASTIC FILM	-
14	POTTING MATERIAL	WEVO RESIN PU 552 FL NATUR 50	-
15	MPIS RESIN HARDNER	-	-

MATERIAL NO.	ENGINEERING NO.
1300700024 (FINISHED PART)	CA4006-39
1203360005 (PRE-ASSEMBLED)	1930 00090 08004

CURRENT WAS 25 AMPS EC NO: IPG2017-0717 DRWNR:STONE 2017/01/26 CHKD:K COX 2017/01/30 APPR:WOODMAN 2017/02/04 REV B	QUALITY SYMBOLS ▽=0 ▽=0	GENERAL TOLERANCES (UNLESS SPECIFIED) <table border="1"> <tr> <th></th> <th>mm</th> <th>INCH</th> </tr> <tr> <td>4 PLACES</td> <td>± .005</td> <td>± .0005</td> </tr> <tr> <td>3 PLACES</td> <td>± .008</td> <td>± .0008</td> </tr> <tr> <td>2 PLACES</td> <td>± .012</td> <td>± .0012</td> </tr> <tr> <td>1 PLACE</td> <td>± 0.3</td> <td>± .012</td> </tr> <tr> <td>0 PLACE</td> <td>± .025</td> <td>± .0025</td> </tr> </table>		mm	INCH	4 PLACES	± .005	± .0005	3 PLACES	± .008	± .0008	2 PLACES	± .012	± .0012	1 PLACE	± 0.3	± .012	0 PLACE	± .025	± .0025	DIMENSION STYLE MM/IN	SCALE 1:1	DESIGN UNITS METRIC	THIRD ANGLE PROJECTION
		mm	INCH																					
	4 PLACES	± .005	± .0005																					
	3 PLACES	± .008	± .0008																					
2 PLACES	± .012	± .0012																						
1 PLACE	± 0.3	± .012																						
0 PLACE	± .025	± .0025																						
DRAWN BY RSCHIEBER	DATE 2012/10/15	CHECKED BY APOHL	DATE 2012/10/24	APPROVED BY CBURGER	DATE 2013/06/03	TITLE FA 4P AC MA STR UNSH																		
DRAFT WHERE APPLICABLE MUST REMAIN WITHIN DIMENSIONS	ANGULAR ±1/2°	SEE CHART	MATERIAL NO.	DOCUMENT NO.	SHEET NO.	1 OF 1																		
THIS DRAWING CONTAINS INFORMATION THAT IS PROPRIETARY TO MOLEX INCORPORATED AND SHOULD NOT BE USED WITHOUT WRITTEN PERMISSION																								