



Chipsmall Limited consists of a professional team with an average of over 10 year of expertise in the distribution of electronic components. Based in Hongkong, we have already established firm and mutual-benefit business relationships with customers from,Europe,America and south Asia,supplying obsolete and hard-to-find components to meet their specific needs.

With the principle of “Quality Parts,Customers Priority,Honest Operation,and Considerate Service”,our business mainly focus on the distribution of electronic components. Line cards we deal with include Microchip,ALPS,ROHM,Xilinx,Pulse,ON,Everlight and Freescale. Main products comprise IC,Modules,Potentiometer,IC Socket,Relay,Connector.Our parts cover such applications as commercial,industrial, and automotives areas.

We are looking forward to setting up business relationship with you and hope to provide you with the best service and solution. Let us make a better world for our industry!



Contact us

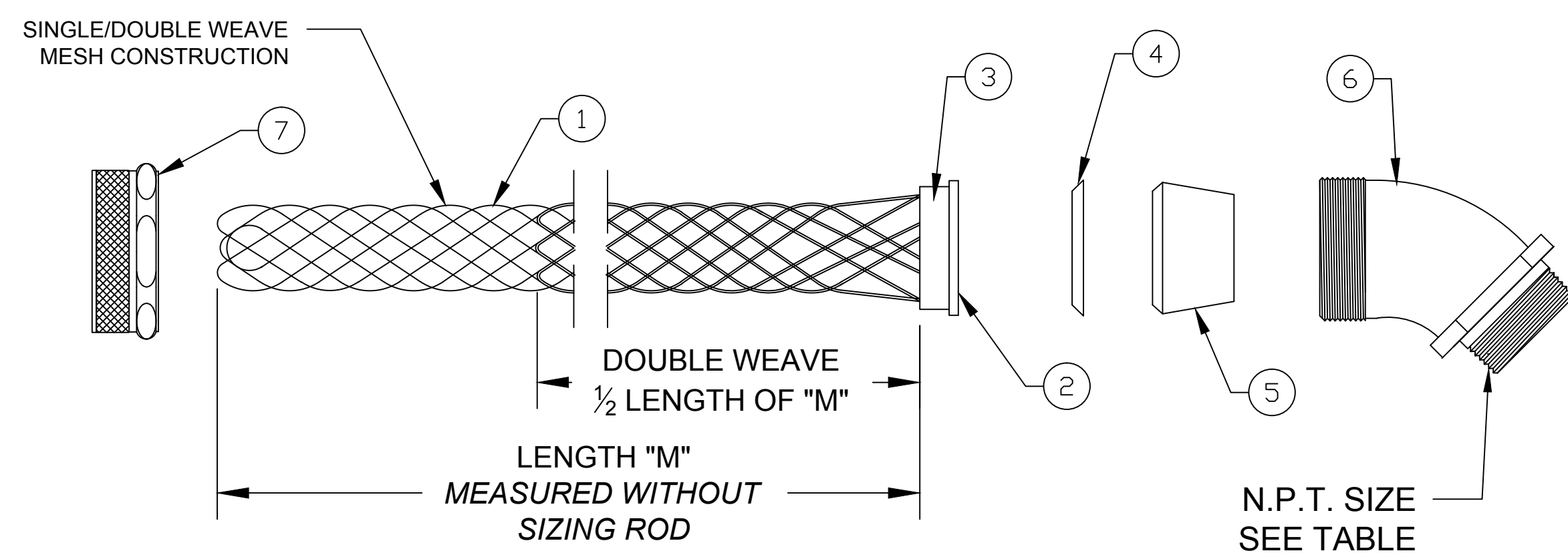
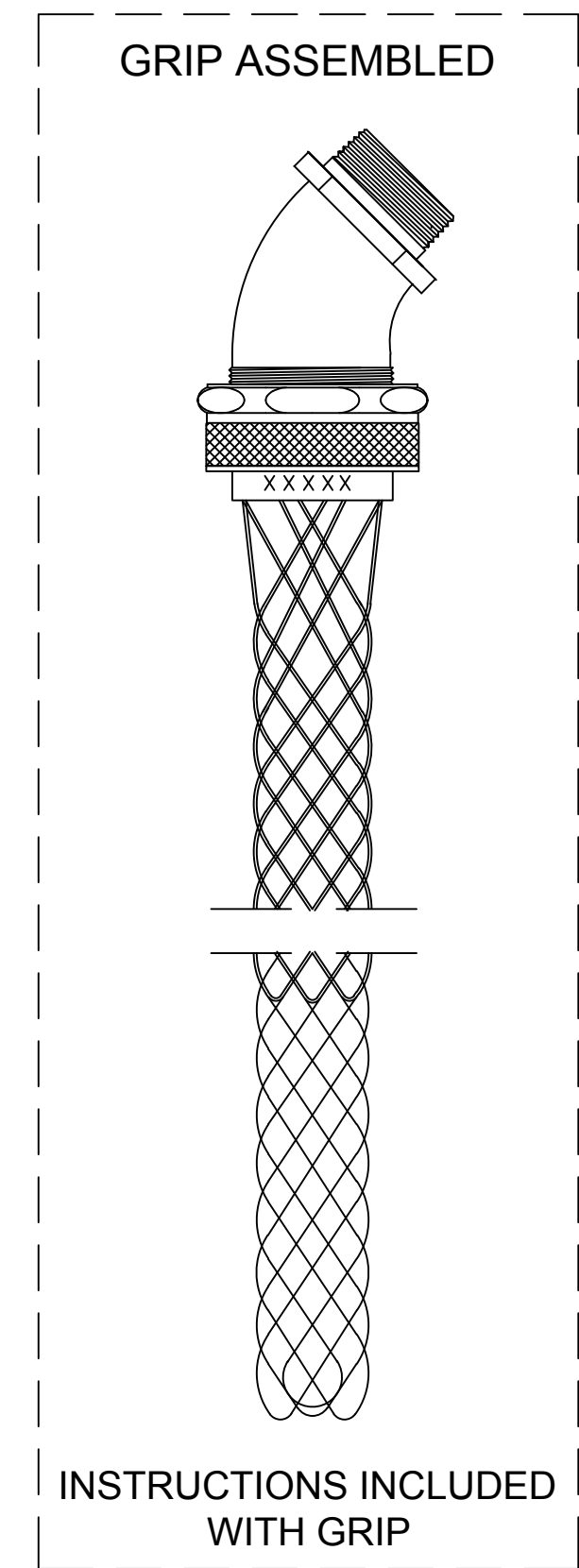
Tel: +86-755-8981 8866 Fax: +86-755-8427 6832

Email & Skype: info@chipsmall.com Web: www.chipsmall.com

Address: A1208, Overseas Decoration Building, #122 Zhenhua RD., Futian, Shenzhen, China



CATALOG NUMBER	MATERIAL NUMBER	CABLE RANGE	LENGTH "M"	N.P.T. FITTING SIZE	FORM SIZE	UL LISTED	CSA APPROVED	PRODUCT SELECTION NUMBER
36310	1300970197	.187-.250 / 4.75-6.35	4.250±0.500 / 107.95±12.70	1/2	2	UL	CSA	PG404-45
36312	1300970198	.250-.375 / 6.35-9.53	4.250±0.500 / 107.95±12.70					PG406-45
36314	1300970199	.375-.500 / 9.53-12.70	6.250±0.500 / 158.75±12.70					PG408-45
36316	1300970200	.500-.625 / 12.70-15.88	6.500±0.500 / 165.10±12.70					PG410-45
36825	-----	.187-.250 / 4.75-6.35	4.125±0.500 / 104.78±12.70	3/4	3	UL	CSA	PG604-45
36317	1300970201	.250-.375 / 6.35-9.53	4.250±0.500 / 107.95±12.70					PG606-45
36319	1300970202	.375-.500 / 9.53-12.70	6.000±0.500 / 154.40±12.70					PG608-45
36321	1300970203	.500-.625 / 12.70-15.88	6.250±0.500 / 158.75±12.70					PG610-45
36323	1300970204	.625-.750 / 15.88-19.05	8.500±1.000 / 209.55±25.40					PG612-45
36826	1300970629	.375-.500 / 9.53-12.70	5.750±0.500 / 146.05±12.70	1	4	UL	CSA	PG809-45
36827	1300970294	.500-.625 / 12.70-15.88	5.750±0.500 / 146.05±12.70					PG811-45
36326	1300970205	.625-.750 / 15.88-19.05	6.500±0.500 / 165.10±12.70					PG812-45
36328	1300970206	.750-.875 / 19.05-22.23	8.500±1.000 / 209.55±25.40					PG814-45
36330	1300970207	.875-1.000 / 22.23-25.40	9.250±1.000 / 234.95±25.40					PG816-45



ITEM	DESCRIPTION	MATERIAL
1	WIRE MESH	STAINLESS STEEL
2	INNER RING	ALUMINUM
3	OUTER RING	ALUMINUM
4	FRICTION RING	ZINC PLATED STEEL
5	GROMMET	RUBBER
6	THREADED BODY	ALUMINUM
7	COMPRESSION NUT	ALUMINUM

36826 5.75" WAS 9.25" EC NO: ICG2017-0557 DRWN: BPATTERS 12/1/16 CHKD: --- APPR: HKNEELAN 2016/05/04 DESCRIPTION REV	QUALITY SYMBOL	GENERAL TOLERANCES (UNLESS SPECIFIED)	DIMENSION STYLE INCH/MM	SCALE NTS	DESIGN UNITS INCH	THIRD ANGLE PROJECTION
	▽=0	4 PLACES ±--- ±---	DRAWN BY DATE	TITLE	MOLEX INCORPORATED	SHEET NO. 1 OF 1
	∇=0	3 PLACES ±--- ±.005	HRUIZ01 2014/10/17			
		2 PLACES ±.13 ±.010	CHECKED BY DATE	STRAIN RELIEF DELUXE 45 DEGREE MALE 1/2" TO 1" N.P.T.		
	1 PLACE ±.25 ±.020	APPROVED BY DATE	JFMURPHY 2016/05/04	MOLEX INCORPORATED		
		ANGULAR ±1/2°	MATERIAL NO.	DOCUMENT NO.		
		DRAFT WHERE APPLICABLE MUST REMAIN WITHIN DIMENSIONS	SEE TABLE	SD-130097-110		
			SIZE C	THIS DRAWING CONTAINS INFORMATION THAT IS PROPRIETARY TO MOLEX INCORPORATED AND SHOULD NOT BE USED WITHOUT WRITTEN PERMISSION		