



Chipsmall Limited consists of a professional team with an average of over 10 year of expertise in the distribution of electronic components. Based in Hongkong, we have already established firm and mutual-benefit business relationships with customers from,Europe,America and south Asia,supplying obsolete and hard-to-find components to meet their specific needs.

With the principle of "Quality Parts,Customers Priority,Honest Operation,and Considerate Service",our business mainly focus on the distribution of electronic components. Line cards we deal with include Microchip,ALPS,ROHM,Xilinx,Pulse,ON,Everlight and Freescale. Main products comprise IC,Modules,Potentiometer,IC Socket,Relay,Connector.Our parts cover such applications as commercial,industrial, and automotives areas.

We are looking forward to setting up business relationship with you and hope to provide you with the best service and solution. Let us make a better world for our industry!



Contact us

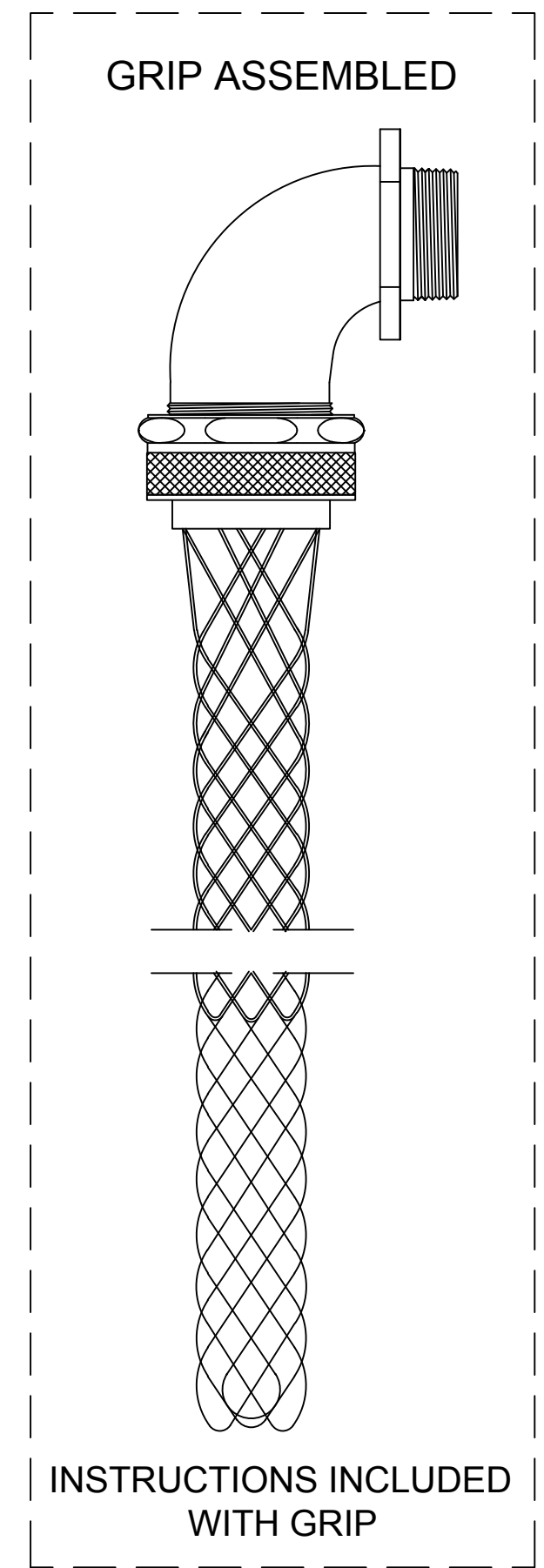
Tel: +86-755-8981 8866 Fax: +86-755-8427 6832

Email & Skype: info@chipsmall.com Web: www.chipsmall.com

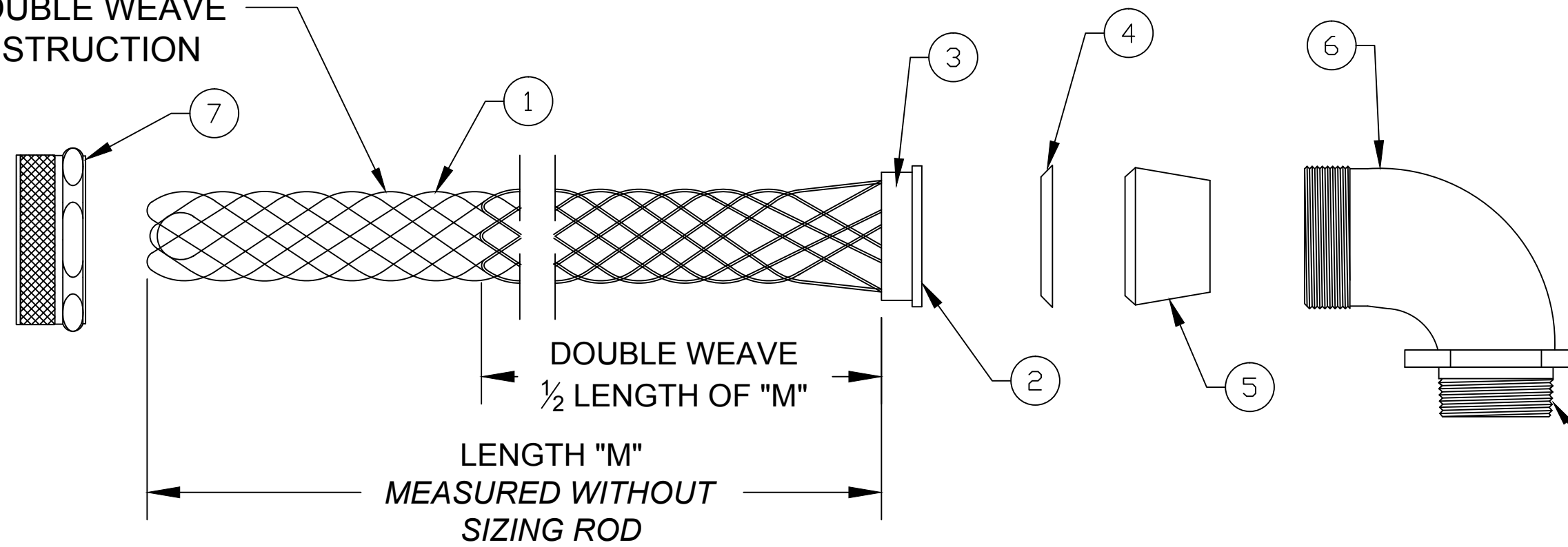
Address: A1208, Overseas Decoration Building, #122 Zhenhua RD., Futian, Shenzhen, China



CATALOG NUMBER	MATERIAL NUMBER	CABLE RANGE	LENGTH "M"	N.P.T. FITTING SIZE	FORM SIZE	UL LISTED	CSA APPROVED	PRODUCT SELECTION NUMBER
36340	1300970210	.187-.250 / 4.75-6.35	4.250±0.500 / 107.95±12.70	1/2	2	UL	CSA	PG404-90
36342	1300970211	.250-.375 / 6.35-9.53	4.250±0.500 / 107.95±12.70					PG406-90
36344	1300970212	.375-.500 / 9.53-12.70	6.250±0.500 / 158.75±12.70					PG408-90
36346	1300970213	.500-.625 / 12.70-15.88	6.500±0.500 / 165.10±12.70					PG410-90
36347	1300970214	.250-.375 / 6.35-9.53	4.125±0.500 / 104.78±12.70	3/4	3	UL	CSA	PG606-90
36349	1300970215	.375-.500 / 9.53-12.70	5.625±0.500 / 142.88±12.70					PG608-90
36351	1300970216	.500-.625 / 12.70-15.88	6.250±0.500 / 158.75±12.70					PG610-90
36353	1300970217	.625-.750 / 15.88-19.05	8.500±1.000 / 209.55±25.40					PG612-90
36829	1300970295	.375-.500 / 9.53-12.70	5.750±0.500 / 146.05±12.70	1	4	UL	CSA	PG809-90
36830	1300970296	.500-.625 / 12.70-15.88	5.750±0.500 / 146.05±12.70					PG811-90
36355	1300970218	.625-.750 / 15.88-19.05	6.500±0.500 / 165.10±12.70					PG812-90
36357	1300970219	.750-.875 / 19.05-22.23	8.500±1.000 / 209.55±25.40					PG814-90
36359	1300970220	.875-1.000 / 22.23-25.40	9.250±1.000 / 234.95±25.40					PG816-90



SINGLE/DOUBLE WEAVE MESH CONSTRUCTION



ITEM	DESCRIPTION	MATERIAL
1	WIRE MESH	STAINLESS STEEL
2	INNER RING	ALUMINUM
3	OUTER RING	ALUMINUM
4	FRICITION RING	ZINC PLATED STEEL
5	GROMMET	RUBBER
6	THREADED BODY	ALUMINUM
7	COMPRESSION NUT	ALUMINUM

36829 5.75" WAS 9.25" EC NO: IPG2017-0557 DRWN: BPATTERS 12/1/16 CH'KD: --- APPR: HKNEELAN 2016/05/04 DESCRIPTION	QUALITY SYMBOL	GENERAL TOLERANCES (UNLESS SPECIFIED)	DIMENSION STYLE INCH/MM	SCALE NTS	DESIGN UNITS INCH	THIRD ANGLE PROJECTION
	$\nabla=0$ $\nabla C=0$	4 PLACES ±--- ±--- 3 PLACES ±--- ±.005 2 PLACES ±.13 ±.010 1 PLACE ±.25 ±.020	DRAWN BY DATE HRUIZ01 2014/10/16 CHECKED BY DATE HKNEELAN 2014/10/16 APPROVED BY DATE JFMURPHY 2016/05/04	TITLE	STRAIN RELIEF DELUXE 90 DEGREE MALE 1/2" TO 1" N.P.T.	
		ANGULAR ±1/2° DRAFT WHERE APPLICABLE MUST REMAIN WITHIN DIMENSIONS	MATERIAL NO. SEE TABLE	MOLEX INCORPORATED DOCUMENT NO. SD-130097-108	SHEET NO. 1 OF 1	
			SIZE C THIS DRAWING CONTAINS INFORMATION THAT IS PROPRIETARY TO MOLEX INCORPORATED AND SHOULD NOT BE USED WITHOUT WRITTEN PERMISSION			