



Chipsmall Limited consists of a professional team with an average of over 10 year of expertise in the distribution of electronic components. Based in Hongkong, we have already established firm and mutual-benefit business relationships with customers from,Europe,America and south Asia,supplying obsolete and hard-to-find components to meet their specific needs.

With the principle of "Quality Parts,Customers Priority,Honest Operation,and Considerate Service",our business mainly focus on the distribution of electronic components. Line cards we deal with include Microchip,ALPS,ROHM,Xilinx,Pulse,ON,Everlight and Freescale. Main products comprise IC,Modules,Potentiometer,IC Socket,Relay,Connector.Our parts cover such applications as commercial,industrial, and automotives areas.

We are looking forward to setting up business relationship with you and hope to provide you with the best service and solution. Let us make a better world for our industry!



Contact us

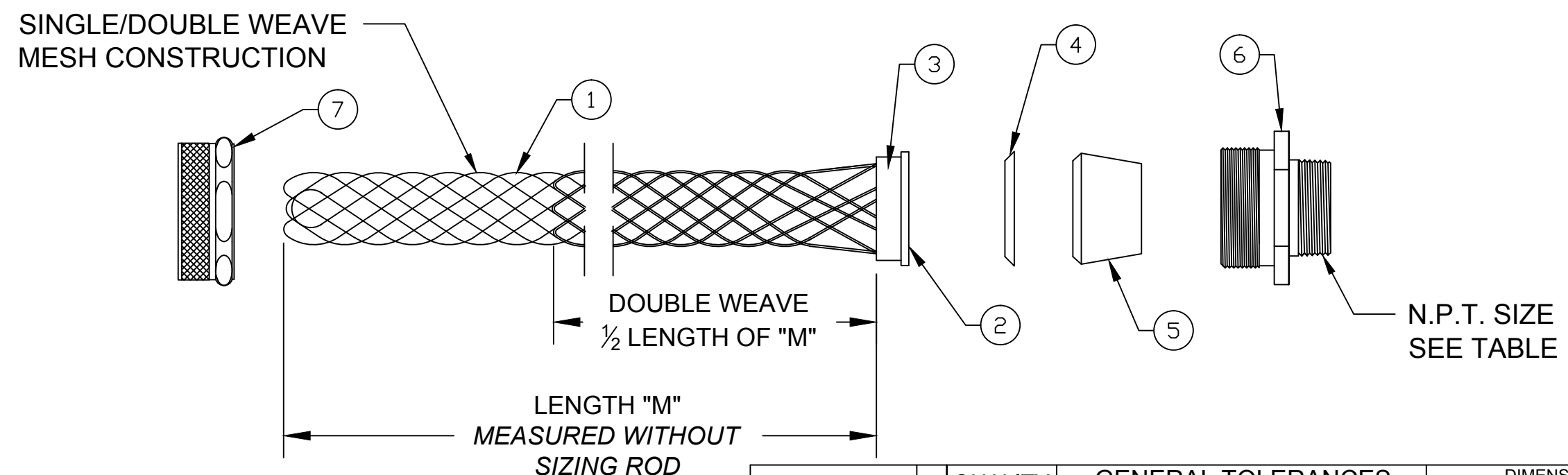
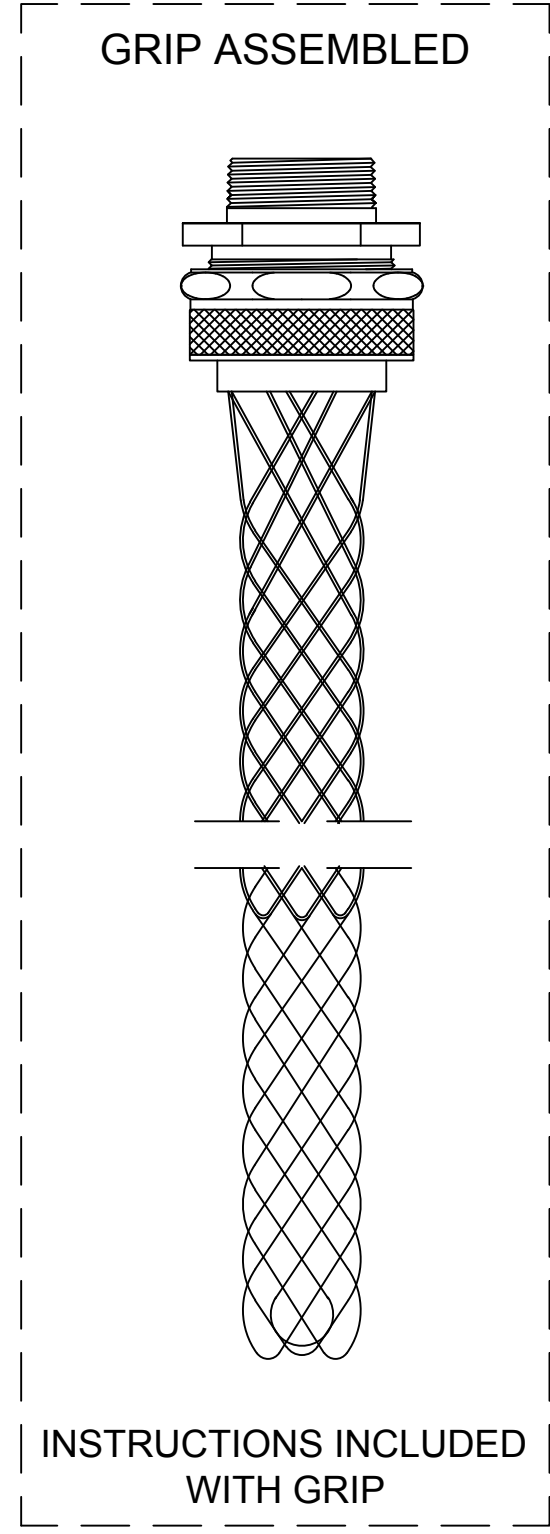
Tel: +86-755-8981 8866 Fax: +86-755-8427 6832

Email & Skype: info@chipsmall.com Web: www.chipsmall.com

Address: A1208, Overseas Decoration Building, #122 Zhenhua RD., Futian, Shenzhen, China



CATALOG NUMBER	MATERIAL NUMBER	CABLE RANGE	LENGTH "M"	N.P.T. FITTING SIZE	FORM SIZE	UL LISTED	CSA APPROVED	PRODUCT SELECTION NUMBER	
36277	1300970181	.750-.875 / 19.05-22.23	9.500±1.000 / 241.30±25.40	1 1/4	5	---		PG1014	
36271	1300970175	.875-1.000 / 22.23-25.40	8.625±1.000 / 219.08±25.40					PG1016	
36272	1300970176	1.000-1.125 / 25.40-28.58	9.000±1.000 / 228.60±25.40					PG1018	
36273	1300970177	1.125-1.250 / 28.58-31.75	10.000±1.000 / 254.00±25.40					PG1020	
36274	1300970178	1.250-1.375 / 31.75-34.925	12.000±1.000 / 304.80±25.40					PG1022	
36278	1300970182	.750-.875 / 19.05-22.23	9.500±1.000 / 241.30±25.40	1 1/2	5	---		PG1214	
36475	1300970235	.875-1.000 / 22.23-25.40	8.625±1.000 / 219.08±25.40					PG1216	
36476	1300970236	1.000-1.125 / 25.40-28.58	9.000±1.000 / 228.60±25.40					PG1218	
36477	1300970237	1.125-1.250 / 28.58-31.75	10.000±1.000 / 254.00±25.40					PG1220	
36478	1300970238	1.250-1.375 / 31.75-34.925	12.000±1.000 / 304.80±25.40				PG1222		
36479	1300970239	1.312-1.437 / 33.32-36.50	12.000±1.000 / 304.80±25.40		---		PG1223		
36480	1300970240	1.437-1.562 / 36.50-39.67	13.125±1.000 / 333.38±25.40		---		PG1225		
36481	1300970241	1.562-1.687 / 39.67-42.85	15.750±1.500 / 398.78±38.10		6	---		PG1227	
36482	1300970242	1.687-1.812 / 42.85-46.02	16.250±1.500 / 412.75±38.10			---		PG1229	
36483	1300970243	1.750-1.875 / 44.45-47.63	16.250±1.500 / 412.75±38.10			---		PG1230	
36484	1300970244	1.250-1.375 / 31.75-34.925	12.000±1.000 / 304.80±25.40	---			PG1622		
36279	1300970183	1.312-1.437 / 33.32-36.50	12.000±1.000 / 304.80±25.40	2		6	---		PG1623
36485	1300970245	1.437-1.562 / 36.50-39.67	13.125±1.000 / 333.38±25.40				---		PG1625
36486	1300970246	1.562-1.687 / 39.67-42.85	15.750±1.500 / 398.78±38.10		---			PG1627	
36487	1300970247	1.687-1.812 / 42.85-46.02	16.250±1.500 / 412.75±38.10		---			PG1629	
36488	1300970248	1.750-1.875 / 44.45-47.63	16.250±1.500 / 412.75±38.10		---			PG1630	
36489	1300970249	1.812-1.937 / 46.02-49.20	16.250±1.500 / 412.75±38.10		7		---		PG1631
36816	1300970292	1.937-2.062 / 49.20-52.37	16.250±1.500 / 412.75±38.10				---		PG1633
36287	1300970188	2.062-2.187 / 52.37-55.55	17.500±1.500 / 444.50±38.10	---			PG1635		
36288	1300970189	2.187-2.312 / 55.55-58.72	17.500±1.500 / 444.50±38.10	---			PG1637		
36289	1300970190	2.312-2.437 / 58.72-61.90	17.500±1.500 / 444.50±38.10	---		PG1639			



ITEM	DESCRIPTION	MATERIAL
1	WIRE MESH	STAINLESS STEEL
2	INNER RING	ALUMINUM
3	OUTER RING	ALUMINUM
4	FRICTION RING	ZINC PLATED STEEL
5	GROMMET	RUBBER
6	THREADED BODY	ALUMINUM
7	COMPRESSION NUT	ALUMINUM

RELEASE SALES DWG
 EC NO.: ICG2014-2037
 DRWN: HRUIZ01 2014/10/20
 CHKD: HKNEELAN 2014/10/20
 APPR: JFMURPHY 2016/05/04

QUALITY SYMBOL

DESCRIPTION
 REV
 A

GENERAL TOLERANCES (UNLESS SPECIFIED)

	mm	INCH
4 PLACES	±---	±---
3 PLACES	±---	±.005
2 PLACES	±.13	±.010
1 PLACE	±.25	±.020

ANGULAR ±1/2°

DRAFT WHERE APPLICABLE MUST REMAIN WITHIN DIMENSIONS

DIMENSION STYLE INCH/MM

SCALE NTS

DESIGN UNITS INCH

THIRD ANGLE PROJECTION

DRAWN BY HRUIZ01 DATE 2014/10/20

CHECKED BY HKNEELAN DATE 2014/10/20

APPROVED BY JFMURPHY DATE 2016/05/04

MATERIAL NO. SEE TABLE

SIZE C

TITLE

STRAIN RELIEF DELUXE STRAIGHT MALE 1-1/4" TO 2" N.P.T.

MOLEX INCORPORATED

DOCUMENT NO. SD-130097-104

SHEET NO. 1 OF 1

THIS DRAWING CONTAINS INFORMATION THAT IS PROPRIETARY TO MOLEX INCORPORATED AND SHOULD NOT BE USED WITHOUT WRITTEN PERMISSION