



Chipsmall Limited consists of a professional team with an average of over 10 year of expertise in the distribution of electronic components. Based in Hongkong, we have already established firm and mutual-benefit business relationships with customers from,Europe,America and south Asia,supplying obsolete and hard-to-find components to meet their specific needs.

With the principle of “Quality Parts,Customers Priority,Honest Operation,and Considerate Service”,our business mainly focus on the distribution of electronic components. Line cards we deal with include Microchip,ALPS,ROHM,Xilinx,Pulse,ON,Everlight and Freescale. Main products comprise IC,Modules,Potentiometer,IC Socket,Relay,Connector.Our parts cover such applications as commercial,industrial, and automotives areas.

We are looking forward to setting up business relationship with you and hope to provide you with the best service and solution. Let us make a better world for our industry!



Contact us

Tel: +86-755-8981 8866 Fax: +86-755-8427 6832

Email & Skype: info@chipsmall.com Web: www.chipsmall.com

Address: A1208, Overseas Decoration Building, #122 Zhenhua RD., Futian, Shenzhen, China



6

5

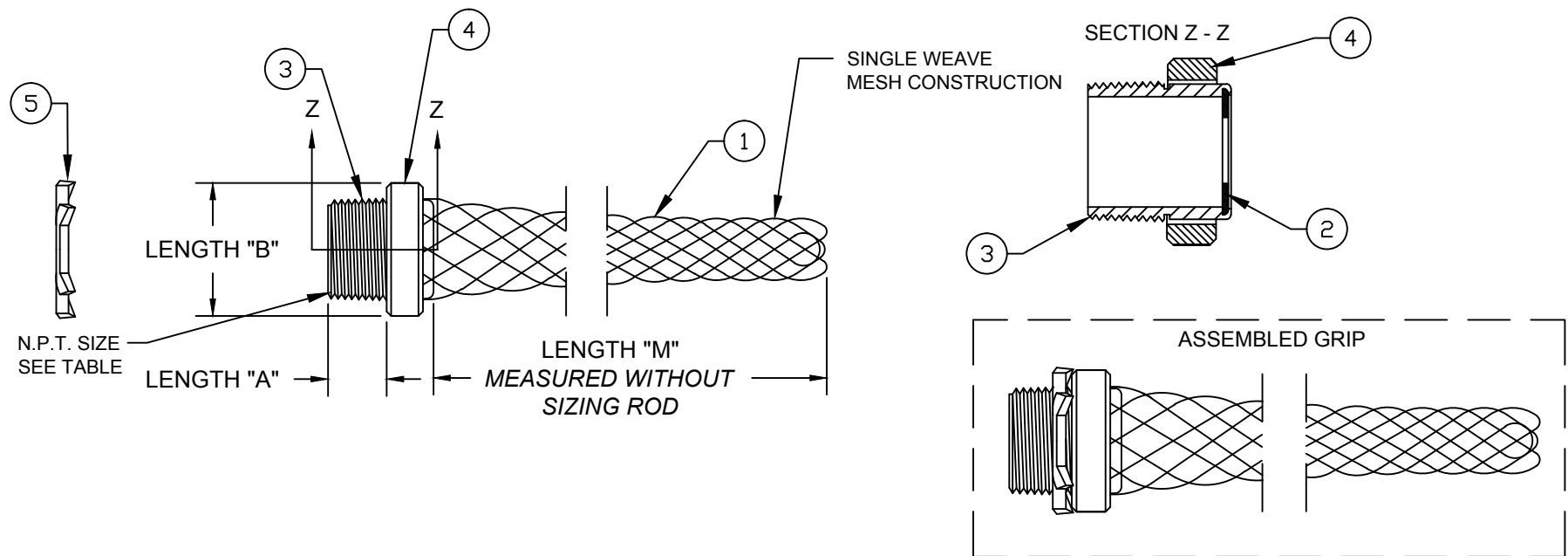
4

3

2

1

CATALOG NUMBER	MATERIAL NUMBER	N.P.T. FITTING SIZE	CABLE RANGE	LENGTH "M"	LENGTH "A" REF.	LENGTH "B" REF.	UL LISTED	CSA APPROVED	PRODUCT SELECTION NUMBER
36502	1300970257	1/2"	.22-.32 / 5.6-8.1	4.750±0.500 / 120.65±12.70	.65 / 16.5	1.05 / 26.7	NO	YES	WRN-022
36504	1300970259	1/2"	.30-.43 / 7.62-10.9	5.000±0.500 / 127.00±12.70	.65 / 16.5	1.05 / 26.7			WRN-030
36506	1300970261	1/2"	.40-.54 / 10.2-13.7	6.000±0.500 / 152.40±12.70	.65 / 16.5	1.05 / 26.7			WRN-040
36509	1300970264	3/4"	.52-.73 / 13.2-18.5	7.500±1.000 / 190.50±25.40	.67 / 17.0	1.31 / 33.3			WRN-052
36513	1300970267	1"	.70-.97 / 17.8-24.6	9.125±1.000 / 231.78±25.40	.82 / 20.8	1.68 / 42.7			WRN-070
36514	1300970268	1-1/4"	.94-1.25 / 23.9-31.8	11.000±1.000 / 279.40±25.40	.85 / 22.0	2.17 / 55.1			WRN-094



ITEM	DESCRIPTION	MATERIAL	RELEASE SALES DRAWING	QUALITY SYMBOLS	GENERAL TOLERANCES (UNLESS SPECIFIED)	DIMENSION STYLE	SCALE	DESIGN UNITS	THIRD ANGLE PROJECTION
1	WIRE MESH	GALVANIZED STEEL	EC NO: IPC2014-2133 DRWN: HRUIZ01 2014/09/19 CHKD: HKNEELAN 2014/09/19 APPR: JFMURPHY 2014/11/18	$\nabla=0$ $\sphericalangle=0$	4 PLACES ±---	INCH/MM	NTS	INCH STRAIN RELIEF DUST-TIGHT WIDE RANGE W/O INSULATED BUSHING MOLEX INCORPORATED	
2	DUST SEAL GASKET	NEOPRENE			3 PLACES ±---	±---	DATE		TITLE MOLEX INCORPORATED
3	THREADED BODY	ALUMINUM			2 PLACES ±.13 ±.010	±---	DATE		
4	OUTER RING	ALUMINUM			1 PLACE ±.25 ±.020	±---	DATE		
5	LOCK NUT	ZINC PLATED STEEL			ANGULAR ±1/2°	±---	DATE		
			DESCRIPTION	DRAFT WHERE APPLICABLE MUST REMAIN WITHIN DIMENSIONS	APPROVED BY	MATERIAL NO.	DOCUMENT NO.	SHEET NO.	
			REV		JFMURPHY	SEE TABLE	SD-130097-003	1 OF 1	
			A		DATE	THIS DRAWING CONTAINS INFORMATION THAT IS PROPRIETARY TO MOLEX INCORPORATED AND SHOULD NOT BE USED WITHOUT WRITTEN PERMISSION			

6

5

4

3

2

1