



Chipsmall Limited consists of a professional team with an average of over 10 year of expertise in the distribution of electronic components. Based in Hongkong, we have already established firm and mutual-benefit business relationships with customers from,Europe,America and south Asia,supplying obsolete and hard-to-find components to meet their specific needs.

With the principle of “Quality Parts,Customers Priority,Honest Operation,and Considerate Service”,our business mainly focus on the distribution of electronic components. Line cards we deal with include Microchip,ALPS,ROHM,Xilinx,Pulse,ON,Everlight and Freescale. Main products comprise IC,Modules,Potentiometer,IC Socket,Relay,Connector.Our parts cover such applications as commercial,industrial, and automotives areas.

We are looking forward to setting up business relationship with you and hope to provide you with the best service and solution. Let us make a better world for our industry!



Contact us

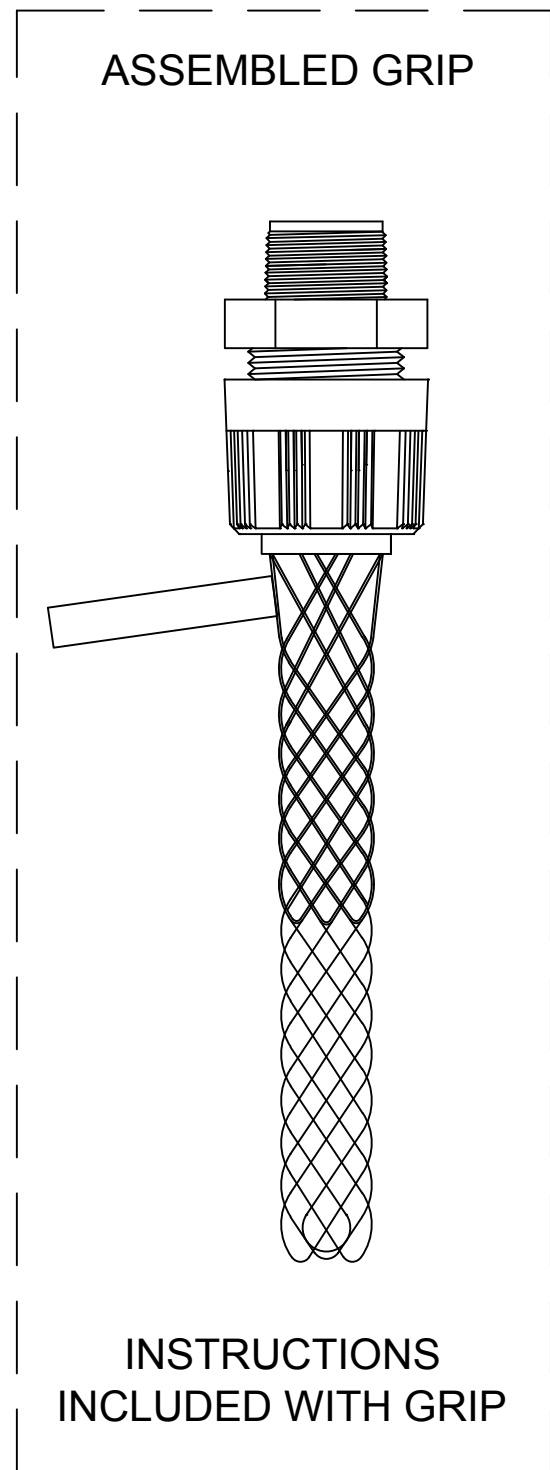
Tel: +86-755-8981 8866 Fax: +86-755-8427 6832

Email & Skype: info@chipsmall.com Web: www.chipsmall.com

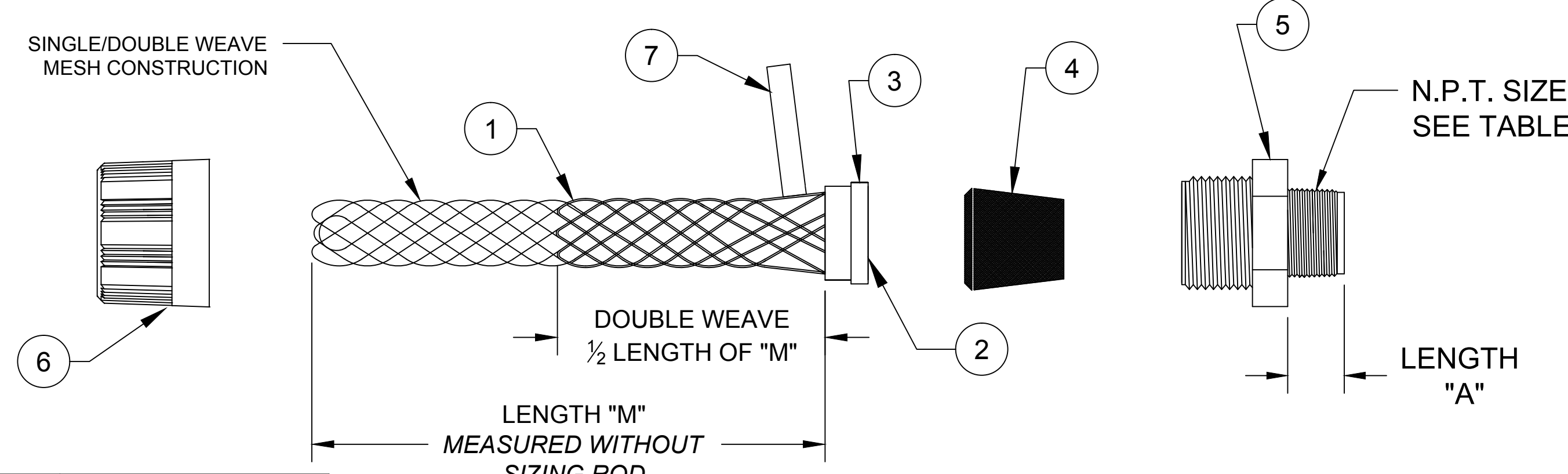
Address: A1208, Overseas Decoration Building, #122 Zhenhua RD., Futian, Shenzhen, China



CATALOG NUMBER	MATERIAL NUMBER	CABLE RANGE	LENGTH "M"	N.P.T. FITTING SIZE	FORM SIZE	LENGTH "A" REF.	UL LISTED	CSA APPROVED
5522M	1300990068	.187-.250 / 4.75-6.35	4.50±0.50 / 114.3±12.7	1/2	2	0.500 / 12.70	NO	YES
5524M	1300990072	.250-.312 / 6.35-7.92	4.50±0.50 / 114.3±12.7					
5526M	1300990076	.312-.375 / 7.92-9.53	4.50±0.50 / 114.3±12.7					
5528M	1300990080	.375-.437 / 9.53-11.10	5.50±0.50 / 139.7±12.7					
5530M	1300990084	.437-.500 / 11.10-12.70	6.50±0.50 / 165.1±12.7					
* 5532M	1300990088	.500-.562 / 12.70-14.27	6.75±0.50 / 171.5±12.7					
* 5534M	1300990090	.562-.625 / 14.27-15.88	6.75±0.50 / 171.5±12.7					
5620M	1300990153	.187-.250 / 4.75-6.35	4.25±0.50 / 108.0±12.7	3/4	3	0.562 / 14.27	NO	YES
5622M	1300990157	.250-.375 / 6.35-9.53	4.25±0.50 / 108.0±12.7					
5624M	1300990161	.375-.437 / 9.53-11.10	6.00±0.50 / 152.4±12.7					
5536M	1300990092	.437-.562 / 11.10-14.27	6.00±0.50 / 152.4±12.7					
5538M	1300990096	.500-.625 / 12.70-15.88	6.75±0.50 / 171.5±12.7					
5540M	1300990100	.562-.687 / 14.27-17.45	9.00±1.00 / 228.6±25.4					
5542M	1300990104	.625-.750 / 15.88-19.05	9.00±1.00 / 228.6±25.4					
* 5544M	1300990108	.687-.812 / 17.45-20.62	9.50±1.00 / 241.3±25.4	1	4	0.687 / 17.45	NO	YES
5546M	1300990110	.437-.562 / 11.10-14.27	6.00±0.50 / 152.4±12.7					
5548M	1300990113	.500-.625 / 12.70-15.88	6.75±0.50 / 171.5±12.7					
5550M	1300990116	.562-.687 / 14.27-17.45	9.00±1.00 / 228.6±25.4					
5552M	1300990119	.625-.750 / 15.88-19.05	9.00±1.00 / 228.6±25.4					
5554M	1300990123	.687-.812 / 17.45-20.62	9.50±1.00 / 241.3±25.4					
5556M	1300990127	.750-.875 / 19.05-22.23	9.50±1.00 / 241.3±25.4					
5558M	1300990131	.812-.937 / 20.62-23.80	8.75±1.00 / 222.3±25.4					
5560M	1300990134	.875-1.000 / 22.23-25.40	8.75±1.00 / 222.3±25.4					



* CABLE JACKET MAY HAVE TO BE STRIPPED FOR CLEARANCE.



ITEM	DESCRIPTION	MATERIAL
1	WIRE MESH	STAINLESS STEEL
2	INNER RING	STAINLESS STEEL
3	OUTER RING	STAINLESS STEEL
4	GROMMET	NITRILE PVC
5	THREADED BODY	NYLON (GRAY)
6	COMPRESSION NUT	NYLON (GRAY)
7	LABEL	MYLAR

RELEASE SALES DWG EC NO.: IFCG2014-2088 DRWN: HRUIZ01 2014/09/29 CH'KD: HKNEELAN 2014/09/29 APPR: JFMURPHY 2014/11/18	QUALITY SYMBOL	GENERAL TOLERANCES (UNLESS SPECIFIED)	DIMENSION STYLE INCH/MM	SCALE NTS	DESIGN UNITS INCH	THIRD ANGLE PROJECTION
	▽=0 ∇=0	4 PLACES ±--- ±--- 3 PLACES ±--- ±.005 2 PLACES ±.13 ±.010 1 PLACE ±.25 ±.020	INCH/MM	HRUIZ01 2014/09/29		
		ANGULAR ±1/2°	DATE	TITLE		
		DRAFT WHERE APPLICABLE MUST REMAIN WITHIN DIMENSIONS	DATE	STRAIN RELIEF MAX-LOC METALLIC STRAIGHT MALE		
		APPROVED BY	MOLEX INCORPORATED			
		JFMURPHY 2014/11/18	SD-130099-003			
		MATERIAL NO.	SHEET NO.			
		SEE TABLE	1 OF 1			
		SIZE C	THIS DRAWING CONTAINS INFORMATION THAT IS PROPRIETARY TO MOLEX INCORPORATED AND SHOULD NOT BE USED WITHOUT WRITTEN PERMISSION			