



Chipsmall Limited consists of a professional team with an average of over 10 year of expertise in the distribution of electronic components. Based in Hongkong, we have already established firm and mutual-benefit business relationships with customers from,Europe,America and south Asia,supplying obsolete and hard-to-find components to meet their specific needs.

With the principle of “Quality Parts,Customers Priority,Honest Operation,and Considerate Service”,our business mainly focus on the distribution of electronic components. Line cards we deal with include Microchip,ALPS,ROHM,Xilinx,Pulse,ON,Everlight and Freescale. Main products comprise IC,Modules,Potentiometer,IC Socket,Relay,Connector.Our parts cover such applications as commercial,industrial, and automotives areas.

We are looking forward to setting up business relationship with you and hope to provide you with the best service and solution. Let us make a better world for our industry!



Contact us

Tel: +86-755-8981 8866 Fax: +86-755-8427 6832

Email & Skype: info@chipsmall.com Web: www.chipsmall.com

Address: A1208, Overseas Decoration Building, #122 Zhenhua RD., Futian, Shenzhen, China



6

5

4

3

2

1

E

E

D

D

C

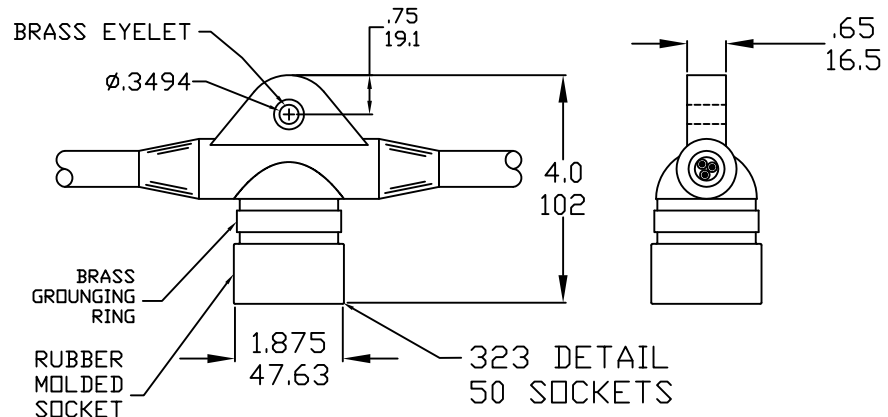
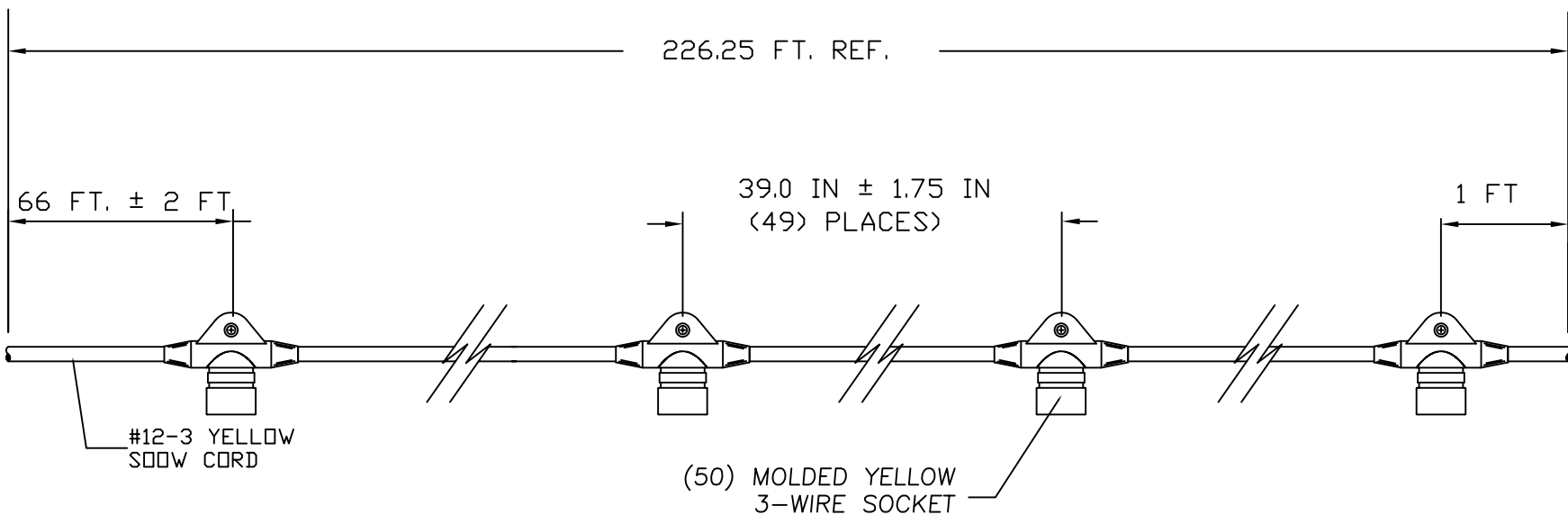
C

B

B

A

A



RELEASE DRAWING EC NO: WNA2010-0739 DRWN: TVICKERS 2010/06/02 CHKD: HK APPR: DTTITUS 2010/09/03 REV A	QUALITY SYMBOLS	GENERAL TOLERANCES (UNLESS SPECIFIED)		DIMENSION STYLE IN/MM		SCALE NTS	DESIGN UNITS INCH	THIRD ANGLE PROJECTION	
	▽=0	mm	INCH	DRAWN BY TVICKERS	DATE 2010/06/02	TITLE STRINGLIGHT 226.25 FT. (50) 323@39 IN. CENTERS 66 FT. LEAD & 1 FT TAIL			
	∇=0	4 PLACES ±---	±---	CHECKED BY HK	DATE 2010/06/02	MOLEX INCORPORATED			
		3 PLACES ±---	±0.05	APPROVED BY DTTITUS	DATE 2010/09/02	MATERIAL NO. 1301060159	DOCUMENT NO. SD-130106-016	SHEET NO. 1 OF 1	
		2 PLACES ±0.13	±0.10	ANGULAR ±.5°		THIS DRAWING CONTAINS INFORMATION THAT IS PROPRIETARY TO MOLEX INCORPORATED AND SHOULD NOT BE USED WITHOUT WRITTEN PERMISSION			
	1 PLACE ±0.25	±0.20	DRAFT WHERE APPLICABLE MUST REMAIN WITHIN DIMENSIONS						

6

5

4

3

2

1