



Chipsmall Limited consists of a professional team with an average of over 10 year of expertise in the distribution of electronic components. Based in Hongkong, we have already established firm and mutual-benefit business relationships with customers from,Europe,America and south Asia,supplying obsolete and hard-to-find components to meet their specific needs.

With the principle of “Quality Parts,Customers Priority,Honest Operation,and Considerate Service”,our business mainly focus on the distribution of electronic components. Line cards we deal with include Microchip,ALPS,ROHM,Xilinx,Pulse,ON,Everlight and Freescale. Main products comprise IC,Modules,Potentiometer,IC Socket,Relay,Connector.Our parts cover such applications as commercial,industrial, and automotives areas.

We are looking forward to setting up business relationship with you and hope to provide you with the best service and solution. Let us make a better world for our industry!



## Contact us

Tel: +86-755-8981 8866 Fax: +86-755-8427 6832

Email & Skype: info@chipsmall.com Web: www.chipsmall.com

Address: A1208, Overseas Decoration Building, #122 Zhenhua RD., Futian, Shenzhen, China



6

5

4

3

2

1

E

E

D

D

C

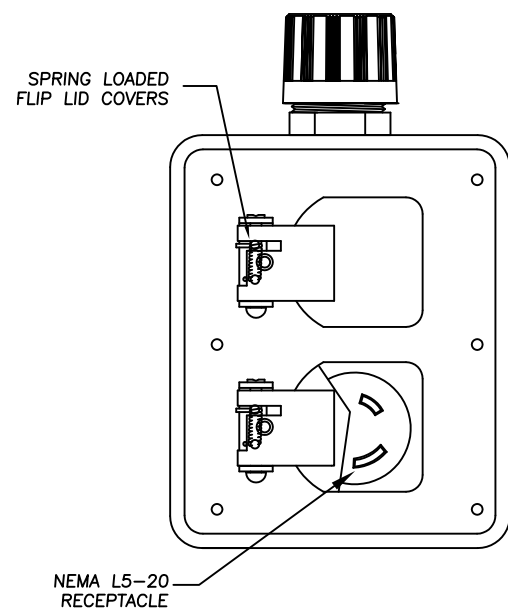
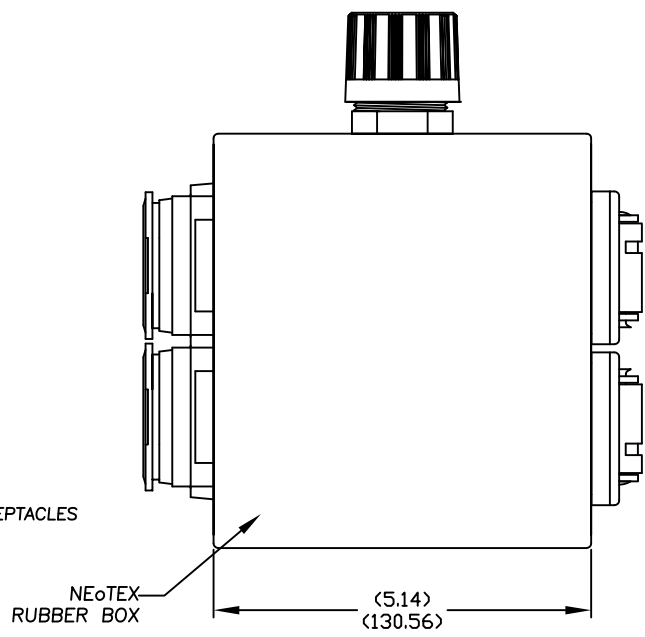
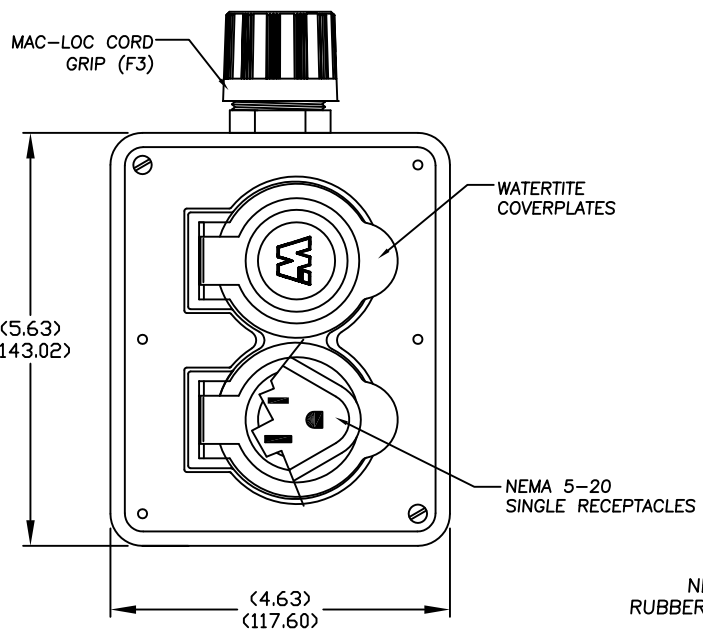
C

B

B

A

A



SUPPLIED WITH GROMMET RANGE: .562-.687

RELEASE DRAWING EC NO: WNA2010-0621 DRWN: TVICKERS 2010/04/06 CHKD: HK APPR: DTTITUS 2010/06/16	DESCRIPTION PORTABLE OUTLET BOX	QUALITY SYMBOLS	GENERAL TOLERANCES (UNLESS SPECIFIED)		DIMENSION STYLE IN/MM		SCALE NTS	DESIGN UNITS INCH	THIRD ANGLE PROJECTION																																														
		$\nabla=0$ $\nabla C=0$	<table border="1"> <tr><th></th><th>mm</th><th>INCH</th></tr> <tr><td>4 PLACES</td><td>±---</td><td>±---</td></tr> <tr><td>3 PLACES</td><td>±---</td><td>±.005</td></tr> <tr><td>2 PLACES</td><td>±0.13</td><td>±.010</td></tr> <tr><td>1 PLACE</td><td>±0.25</td><td>±.020</td></tr> </table>		mm	INCH	4 PLACES	±---	±---	3 PLACES	±---	±.005	2 PLACES	±0.13	±.010	1 PLACE	±0.25	±.020	<table border="1"> <tr><th colspan="2">ANGULAR ±.5°</th></tr> <tr><td colspan="2">DRAFT WHERE APPLICABLE MUST REMAIN WITHIN DIMENSIONS</td></tr> </table>	ANGULAR ±.5°		DRAFT WHERE APPLICABLE MUST REMAIN WITHIN DIMENSIONS		<table border="1"> <tr><td>DRAWN BY</td><td>DATE</td></tr> <tr><td>TVICKERS</td><td>2010/04/06</td></tr> <tr><td>CHECKED BY</td><td>DATE</td></tr> <tr><td>HK</td><td>2010/04/06</td></tr> <tr><td>APPROVED BY</td><td>DATE</td></tr> <tr><td>DTTITUS</td><td>2010/06/14</td></tr> </table>	DRAWN BY	DATE	TVICKERS	2010/04/06	CHECKED BY	DATE	HK	2010/04/06	APPROVED BY	DATE	DTTITUS	2010/06/14	<table border="1"> <tr><td colspan="2">TITLE</td></tr> <tr><td colspan="2">PORTABLE OUTLET BX (2)NEMA 5-20 (2)NEMA L5-20</td></tr> <tr><td colspan="2">MOLEX INCORPORATED</td></tr> <tr><td>MATERIAL NO.</td><td>DOCUMENT NO.</td></tr> <tr><td>1301350372</td><td>SD-130135-031</td></tr> <tr><td>SIZE A</td><td>THIS DRAWING CONTAINS INFORMATION THAT IS PROPRIETARY TO MOLEX INCORPORATED AND SHOULD NOT BE USED WITHOUT WRITTEN PERMISSION</td></tr> </table>		TITLE		PORTABLE OUTLET BX (2)NEMA 5-20 (2)NEMA L5-20		MOLEX INCORPORATED		MATERIAL NO.	DOCUMENT NO.	1301350372	SD-130135-031	SIZE A	THIS DRAWING CONTAINS INFORMATION THAT IS PROPRIETARY TO MOLEX INCORPORATED AND SHOULD NOT BE USED WITHOUT WRITTEN PERMISSION	<table border="1"> <tr><td colspan="2">SHEET NO.</td></tr> <tr><td colspan="2">1 OF 1</td></tr> </table>	SHEET NO.		1 OF 1	
			mm	INCH																																																			
		4 PLACES	±---	±---																																																			
		3 PLACES	±---	±.005																																																			
2 PLACES	±0.13	±.010																																																					
1 PLACE	±0.25	±.020																																																					
ANGULAR ±.5°																																																							
DRAFT WHERE APPLICABLE MUST REMAIN WITHIN DIMENSIONS																																																							
DRAWN BY	DATE																																																						
TVICKERS	2010/04/06																																																						
CHECKED BY	DATE																																																						
HK	2010/04/06																																																						
APPROVED BY	DATE																																																						
DTTITUS	2010/06/14																																																						
TITLE																																																							
PORTABLE OUTLET BX (2)NEMA 5-20 (2)NEMA L5-20																																																							
MOLEX INCORPORATED																																																							
MATERIAL NO.	DOCUMENT NO.																																																						
1301350372	SD-130135-031																																																						
SIZE A	THIS DRAWING CONTAINS INFORMATION THAT IS PROPRIETARY TO MOLEX INCORPORATED AND SHOULD NOT BE USED WITHOUT WRITTEN PERMISSION																																																						
SHEET NO.																																																							
1 OF 1																																																							
THIS DRAWING CONTAINS INFORMATION THAT IS PROPRIETARY TO MOLEX INCORPORATED AND SHOULD NOT BE USED WITHOUT WRITTEN PERMISSION																																																							
DRAFT WHERE APPLICABLE MUST REMAIN WITHIN DIMENSIONS																																																							
PORTABLE OUTLET BX (2)NEMA 5-20 (2)NEMA L5-20																																																							
MOLEX INCORPORATED																																																							
MATERIAL NO.					DOCUMENT NO.																																																		
1301350372					SD-130135-031																																																		
SIZE A					THIS DRAWING CONTAINS INFORMATION THAT IS PROPRIETARY TO MOLEX INCORPORATED AND SHOULD NOT BE USED WITHOUT WRITTEN PERMISSION																																																		
SHEET NO. 1 OF 1																																																							

6

5

4

3

2

1