



Chipsmall Limited consists of a professional team with an average of over 10 year of expertise in the distribution of electronic components. Based in Hongkong, we have already established firm and mutual-benefit business relationships with customers from,Europe,America and south Asia,supplying obsolete and hard-to-find components to meet their specific needs.

With the principle of “Quality Parts,Customers Priority,Honest Operation,and Considerate Service”,our business mainly focus on the distribution of electronic components. Line cards we deal with include Microchip,ALPS,ROHM,Xilinx,Pulse,ON,Everlight and Freescale. Main products comprise IC,Modules,Potentiometer,IC Socket,Relay,Connector.Our parts cover such applications as commercial,industrial, and automotives areas.

We are looking forward to setting up business relationship with you and hope to provide you with the best service and solution. Let us make a better world for our industry!



## Contact us

Tel: +86-755-8981 8866 Fax: +86-755-8427 6832

Email & Skype: info@chipsmall.com Web: www.chipsmall.com

Address: A1208, Overseas Decoration Building, #122 Zhenhua RD., Futian, Shenzhen, China



10

9

8

7

6

5

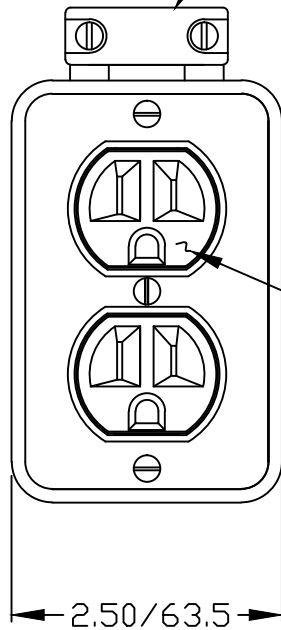
4

3

2

1

CORD DIAMETER RANGES  
0.325-0.655 IN



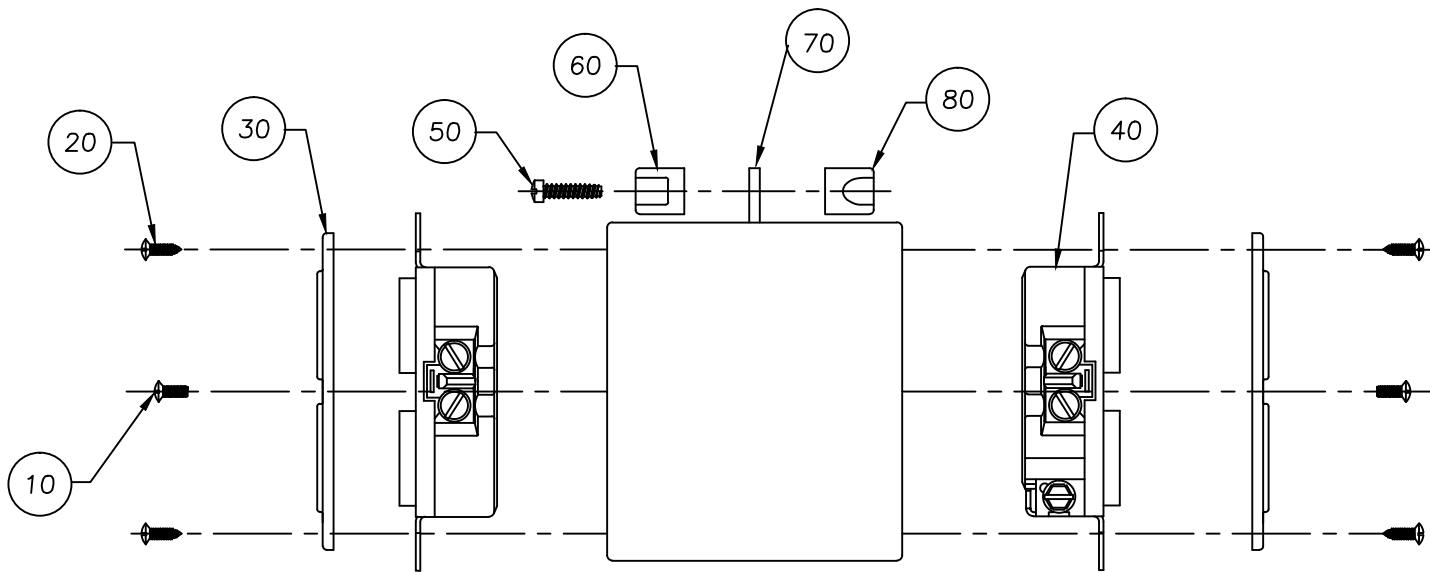
NEMA 5-15

2.50/63.5

3.88/98.6

4.63/117.6

\* LENGTH  
(SEE TABLE)



WOODHEAD NO.	MATERIAL NO.	* LENGTH	DESCRIPTION/COLOR
3000-1	1301370088	3.38/85.9	STANDARD DEPTH BOX/BROWN
3000-1BLK	1301370099	3.38/85.9	STANDARD DEPTH BOX/BLACK
3080-1	1301370165	4.38/111.3	EXTENDED DEPTH BOX/BROWN

ITEM NO.	DESCRIPTION	MATERIAL
10	SCREW	STAINLESS STEEL
20	SCREW	STAINLESS STEEL
30	COVERPLATE	NYLON
40	RECEPTACLE	5252DW OR 5252DWBLK
50	SCREW	STAINLESS STEEL
60	CORD CLAMP	NYLON
70	OUTLET BOX	RUBBER
80	CORD CLAMP	NYLON

SALES DRAWING RELEASE  
 EC NO: IPG2013-0904  
 DRWN: HRUIZ01 2012/12/13  
 CHKD: HKNEELAN  
 APPR: DTITUS 2013/01/29

QUALITY SYMBOLS  
 ▽=0  
 ▽C=0

GENERAL TOLERANCES (UNLESS SPECIFIED)

	mm	INCH
4 PLACES	±---	±---
3 PLACES	±---	±.005
2 PLACES	±.13	±.010
1 PLACE	±.25	±.020

ANGULAR ±1/2°

DRAFT WHERE APPLICABLE MUST REMAIN WITHIN DIMENSIONS

DIMENSION STYLE INCH/MM

DRAWN BY: AL DATE: 2002/04/16

CHECKED BY: --- DATE: ---

APPROVED BY: DTITUS DATE: 2013/01/29

MATERIAL NO. 3000/3080-X

SIZE B

SCALE NTS

DESIGN UNITS INCH

THIRD ANGLE PROJECTION

TITLE  
**SUPER-SAFEWAY  
 OUTLET BOX WITH TWO  
 DUPLEX RECEPTACLES**

**MOLEX INCORPORATED**

DOCUMENT NO. SD-130137-031

SHEET NO. 1 OF 1

THIS DRAWING CONTAINS INFORMATION THAT IS PROPRIETARY TO MOLEX INCORPORATED AND SHOULD NOT BE USED WITHOUT WRITTEN PERMISSION

10

9

8

7

6

5

4

3

2

1

F

E

D

C

B

A

F

E

D

C

B

A