



Chipsmall Limited consists of a professional team with an average of over 10 year of expertise in the distribution of electronic components. Based in Hongkong, we have already established firm and mutual-benefit business relationships with customers from,Europe,America and south Asia,supplying obsolete and hard-to-find components to meet their specific needs.

With the principle of “Quality Parts,Customers Priority,Honest Operation,and Considerate Service”,our business mainly focus on the distribution of electronic components. Line cards we deal with include Microchip,ALPS,ROHM,Xilinx,Pulse,ON,Everlight and Freescale. Main products comprise IC,Modules,Potentiometer,IC Socket,Relay,Connector.Our parts cover such applications as commercial,industrial, and automotives areas.

We are looking forward to setting up business relationship with you and hope to provide you with the best service and solution. Let us make a better world for our industry!



Contact us

Tel: +86-755-8981 8866 Fax: +86-755-8427 6832

Email & Skype: info@chipsmall.com Web: www.chipsmall.com

Address: A1208, Overseas Decoration Building, #122 Zhenhua RD., Futian, Shenzhen, China



6

5

4

3

2

1

E

E

D

D

C

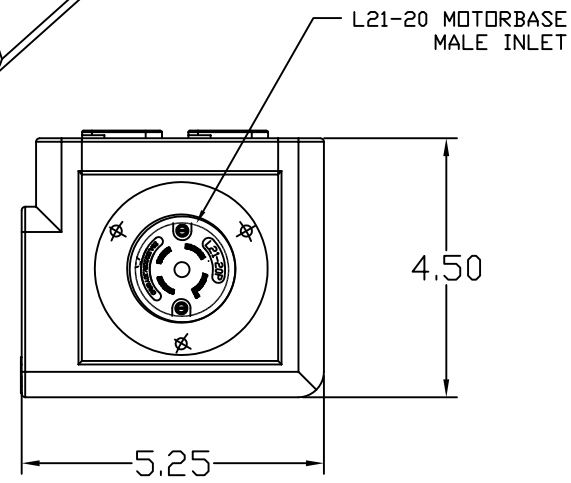
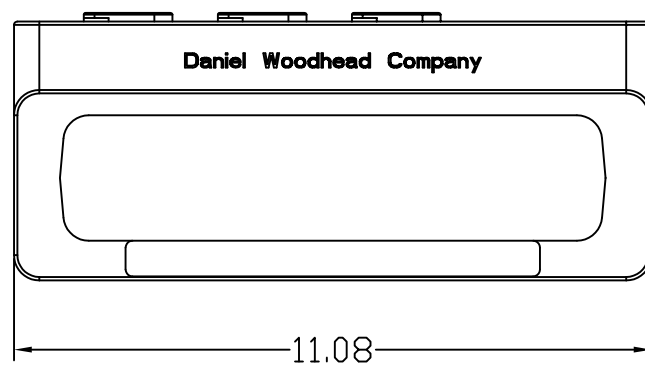
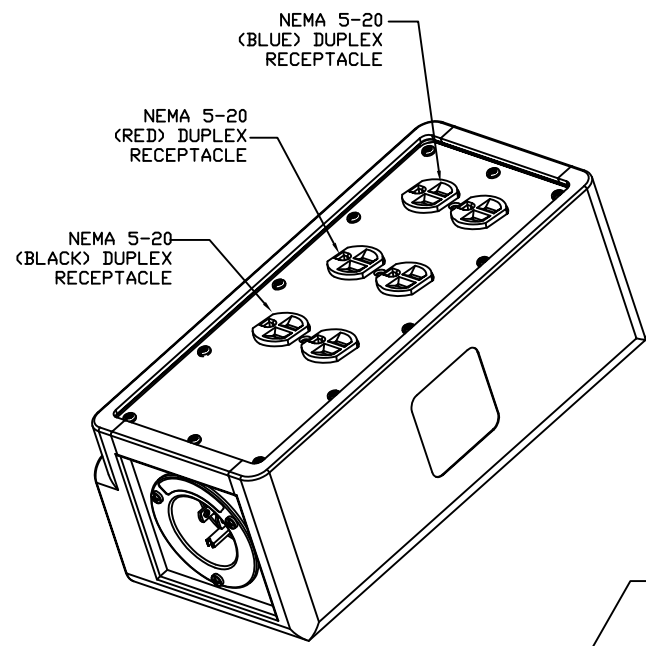
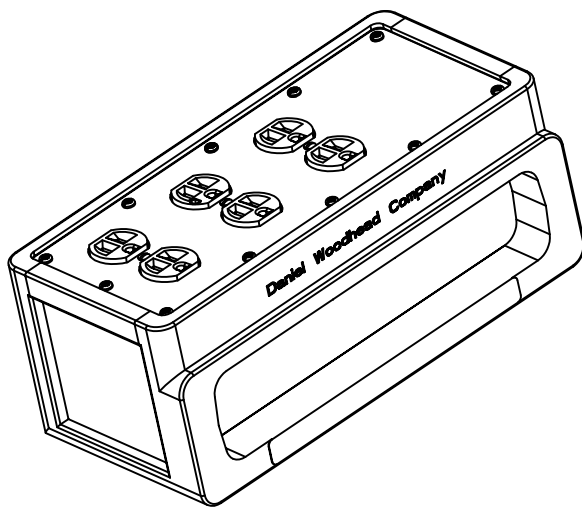
C

B

B

A

A



THIS DRAWING APPLIES TO MULTIPLE OUTLET BOX WITH NO PROTECTION,
 3400 SERIES: 3403P, 3403PL, 3403P-20 & 3403PL-20.
 "L" INDICATES FLIP LIDS.
 "-20" INDICATES 20 AMP.

RELEASE SALES DRAWING
 EC NO: WNA2011-0060
 DRWN: HKNEELAN 8/2/10
 CHKD: HKNEELAN
 APPR: DTTITUS 2010/09/02
 REV B

QUALITY SYMBOLS
 ▽=0
 ▽C=0

GENERAL TOLERANCES (UNLESS SPECIFIED)	
	INCH
4 PLACES	±---
3 PLACES	±--- ±.005
2 PLACES	±0.13 ±.010
1 PLACE	±0.25 ±.020
ANGULAR ±.5°	
DRAFT WHERE APPLICABLE MUST REMAIN WITHIN DIMENSIONS	

DIMENSION STYLE	
IN/MM	
DRAWN BY	DATE
TVICKERS	2010/03/10
CHECKED BY	DATE
HKNEELAN	2010/07/29
APPROVED BY	DATE
DTITUS	2010/07/29
MATERIAL NO.	
1301380110	
SIZE	
A	

SCALE	DESIGN UNITS	THIRD ANGLE PROJECTION
NTS	INCH	
TITLE		
MULTIPLE OUTLET BOX		
3 PHASE		
6 OUTLETS - NEMA 5-20		
MOLEX INCORPORATED		
DOCUMENT NO.	SHEET NO.	
SD-130138-002	1 OF 1	
THIS DRAWING CONTAINS INFORMATION THAT IS PROPRIETARY TO MOLEX INCORPORATED AND SHOULD NOT BE USED WITHOUT WRITTEN PERMISSION		

6

5

4

3

2

1