



Chipsmall Limited consists of a professional team with an average of over 10 year of expertise in the distribution of electronic components. Based in Hongkong, we have already established firm and mutual-benefit business relationships with customers from,Europe,America and south Asia,supplying obsolete and hard-to-find components to meet their specific needs.

With the principle of “Quality Parts,Customers Priority,Honest Operation,and Considerate Service”,our business mainly focus on the distribution of electronic components. Line cards we deal with include Microchip,ALPS,ROHM,Xilinx,Pulse,ON,Everlight and Freescale. Main products comprise IC,Modules,Potentiometer,IC Socket,Relay,Connector.Our parts cover such applications as commercial,industrial, and automotives areas.

We are looking forward to setting up business relationship with you and hope to provide you with the best service and solution. Let us make a better world for our industry!



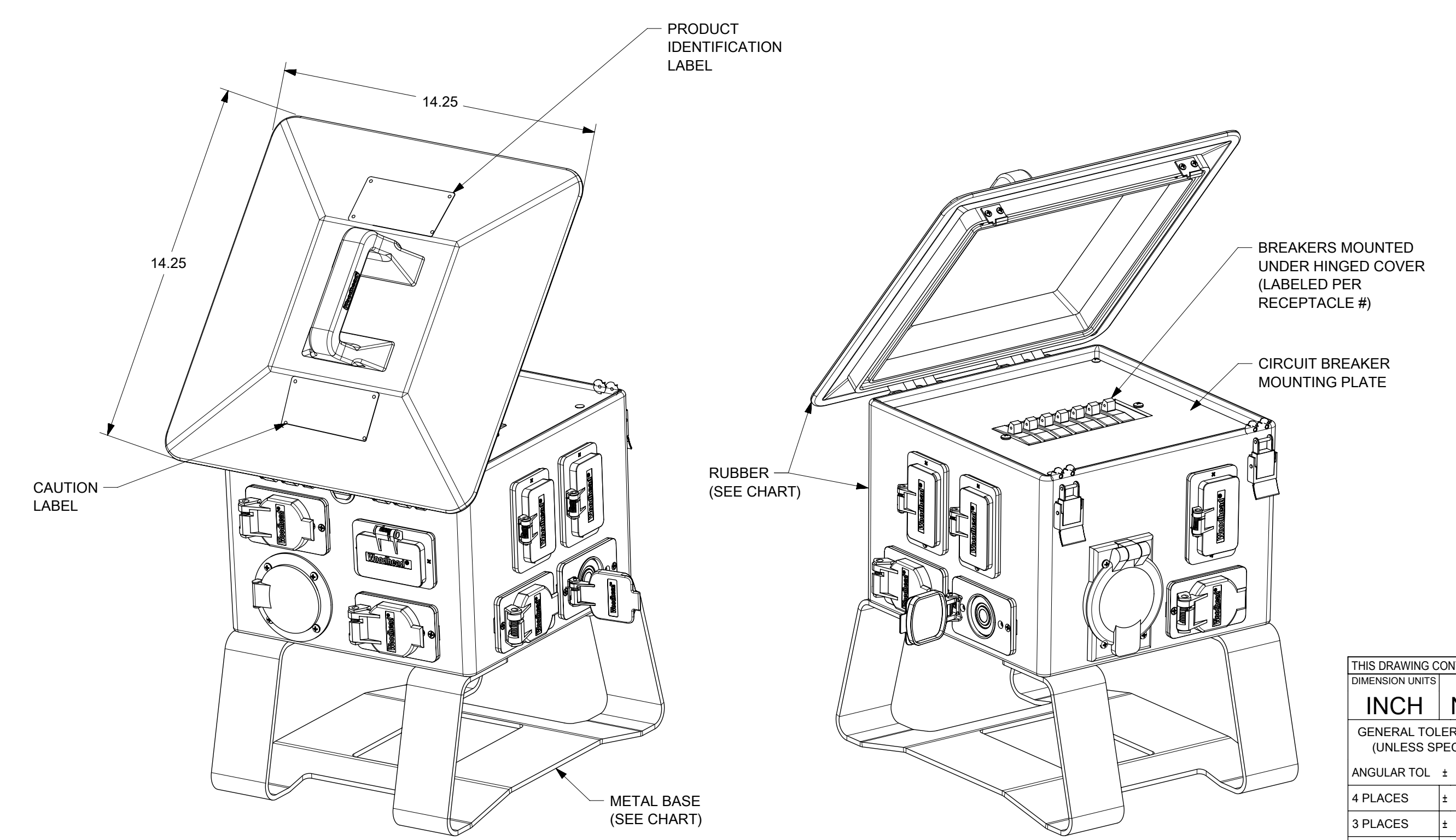
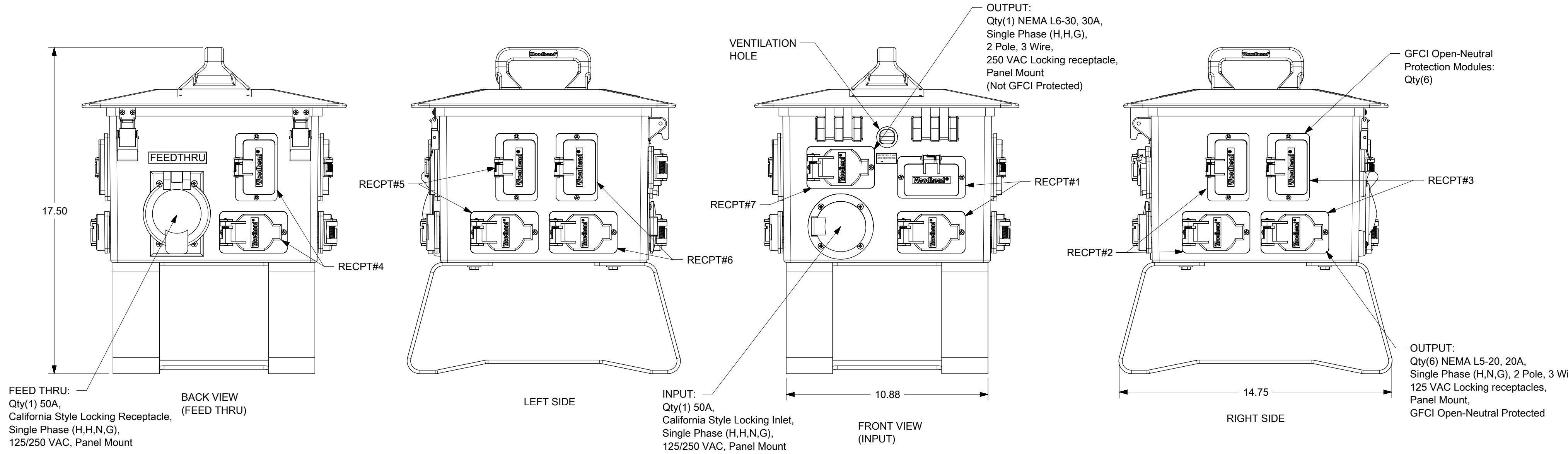
Contact us

Tel: +86-755-8981 8866 Fax: +86-755-8427 6832

Email & Skype: info@chipsmall.com Web: www.chipsmall.com

Address: A1208, Overseas Decoration Building, #122 Zhenhua RD., Futian, Shenzhen, China





- NOTES:**
- cULus Listed Portable Power Distribution Unit
 - Rating: 50A, Single Phase (H,H,N,G), 3 Pole, 4 Wire 125/250 VAC
 - Input: Qty(1) 50A, California Style Locking Inlet, Single Phase (H,H,N,G), 3 Pole, 4 Wire, 125/250 VAC, Panel Mount (Not GFCI Protected)
 - Output:
 - Qty(6) NEMA Locking, 20A, L5-20, Single Phase (H,N,G), 2 Pole, 3 Wire, 125 VAC Locking receptacles, Panel Mount GFCI Open-Neutral Protected
 - Qty(1) NEMA L6-30, 30A, Single Phase (H,H,G), 2 Pole, 3 Wire, 250 VAC Locking receptacle, Panel Mount (Not GFCI Protected)
 - Main Breaker: None
 - Feed Thru: Yes, Qty(1) 50A, California Style Locking Receptacle, Single Phase (H,H,N,G), 3 Pole, 4 Wire, 125/250 VAC, Panel Mount (Not GFCI Protected)
 - Overcurrent Protection:
 - Qty(6) 20A, 1 Pole branch-rated circuit breakers
 - Qty(1) 30A, 2 Pole branch-rated circuit breaker
 - Environmental Rating: NEMA Type 3R Rainproof (when all cover plates and hinged lid cover closed)
 - Box Style: Rubber, Hinged
 - Dimensions: 14.25" L x 14.25" W x 17.5" H
 - Approximate Weight: 29 lbs
 - See Sheet 2 for Wiring Schematic
 - For User Manual: See document P/N# 1301380126_USR_MAN
 - Woodhead Engineering No.: SEE CHART
 - Temperature Rating:
 - Operating: -21° to +135°F (-29° to +57°C)
 - Storage: -40° to +160°F (-40° to +71°C)

PART NUMBER	Woodhead® ENGINEERING NUMBER	RUBBER & METAL BASE COLOR	MINIMUM ORDER QUANTITY (MOQ)
1301380127	DY5-6G1H	YELLOW	1
1301380178	DB5-6G1H	BLACK	1
1301380180	DY5-6G1H-BP	YELLOW	1 unit = 25 pcs of 1301380127
1301380182	DB5-6G1H-BP	BLACK	1 unit = 25 pcs of 1301380178

THIS DRAWING CONTAINS INFORMATION THAT IS PROPRIETARY TO MOLEX ELECTRONIC TECHNOLOGIES, LLC AND SHOULD NOT BE USED WITHOUT WRITTEN PERMISSION

DIMENSION UNITS	SCALE	CURRENT REV DESC: UPDATE QTY IN CHART	
INCH	NTS		
GENERAL TOLERANCES (UNLESS SPECIFIED)			
ANGULAR TOL	±	°	
4 PLACES	±		
3 PLACES	±		
2 PLACES	±		
1 PLACE	±		
0 PLACES	±		
DRAFT WHERE APPLICABLE MUST REMAIN WITHIN DIMENSIONS		THIRD ANGLE PROJECTION	DRAWING SERIES
			C-SIZE 130138

EC NO: 175572	2018/04/25
DRWN: WLEUNG	2018/04/25
CHK'D: DNGUYEN62	2018/04/25
APPR: BRUPERT	2018/04/26
INITIAL REVISION:	
DRWN: WLEUNG	2016/07/14
APPR: JFMURPHY	2017/02/18

PORTABLE PWR DIST BOX, 50A RATING
IN:50A CALI LOCKING; OUT:(6)20A NEMA L5-20 & (1)30A NEMA L6-30

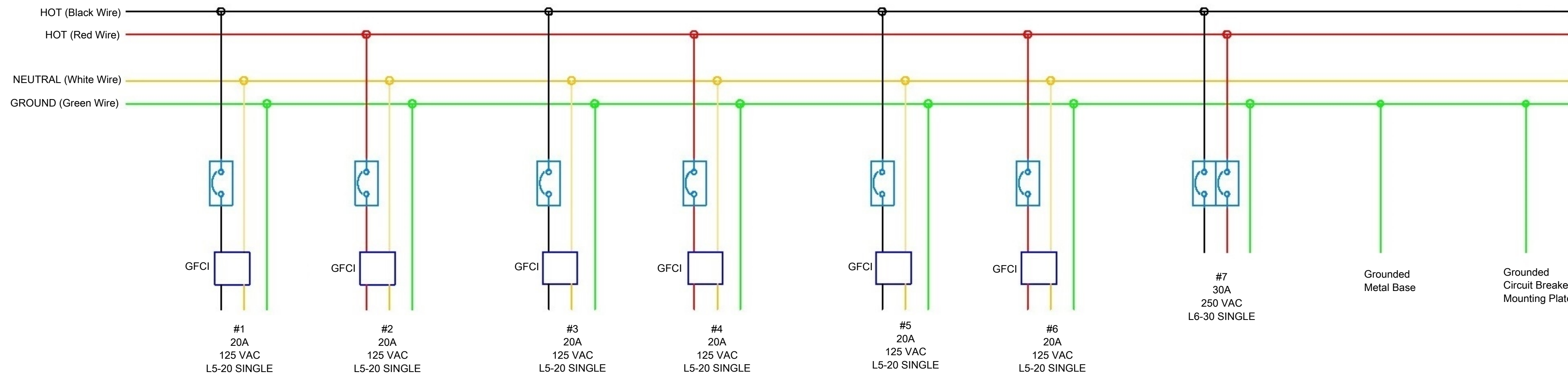
PRODUCT CUSTOMER DRAWING

DOCUMENT NUMBER	DOC TYPE	DOC PART	REVISION
1301380127	PSD	000	E1

MATERIAL NUMBER	CUSTOMER	SHEET NUMBER
SEE CHART		1 OF 2

INPUT: California Style, 50A,
Single Phase (H,H,N,G),
125/250VAC, Panel Mount

FEED
THRU



THIS DRAWING CONTAINS INFORMATION THAT IS PROPRIETARY TO MOLEX ELECTRONIC TECHNOLOGIES, LLC AND SHOULD NOT BE USED WITHOUT WRITTEN PERMISSION

DIMENSION UNITS		SCALE		CURRENT REV DESC: UPDATE QTY IN CHART						
INCH		NTS								
GENERAL TOLERANCES (UNLESS SPECIFIED)				EC NO: 175572		PORTABLE PWR DIST BOX, 50A RATING IN:50A CALI LOCKING; OUT:(6)20A NEMA L5-20 & (1)30A NEMA L6-30				
ANGULAR TOL ± °				DRWN: WLEUNG 2018/04/25						
4 PLACES ±				CHK'D: DNGUYEN62 2018/04/25		PRODUCT CUSTOMER DRAWING				
3 PLACES ±				APPR: BRUPERT 2018/04/26						
2 PLACES ±				INITIAL REVISION:		DOCUMENT NUMBER		DOC TYPE	DOC PART	REVISION
1 PLACE ±				DRWN: WLEUNG 2016/07/14		1301380127		PSD	000	E1
0 PLACES ±				APPR: JFMURPHY 2017/02/18		MATERIAL NUMBER		CUSTOMER		SHEET NUMBER
DRAFT WHERE APPLICABLE MUST REMAIN WITHIN DIMENSIONS				THIRD ANGLE PROJECTION		DRAWING		SERIES		SEE CHART
						C-SIZE		130138		2 OF 2

DOCUMENT STATUS	P1	RELEASE DATE	2018/04/26	13:37:59
-----------------	----	--------------	------------	----------