



Chipsmall Limited consists of a professional team with an average of over 10 year of expertise in the distribution of electronic components. Based in Hongkong, we have already established firm and mutual-benefit business relationships with customers from,Europe,America and south Asia,supplying obsolete and hard-to-find components to meet their specific needs.

With the principle of “Quality Parts,Customers Priority,Honest Operation,and Considerate Service”,our business mainly focus on the distribution of electronic components. Line cards we deal with include Microchip,ALPS,ROHM,Xilinx,Pulse,ON,Everlight and Freescale. Main products comprise IC,Modules,Potentiometer,IC Socket,Relay,Connector.Our parts cover such applications as commercial,industrial, and automotives areas.

We are looking forward to setting up business relationship with you and hope to provide you with the best service and solution. Let us make a better world for our industry!



Contact us

Tel: +86-755-8981 8866 Fax: +86-755-8427 6832

Email & Skype: info@chipsmall.com Web: www.chipsmall.com

Address: A1208, Overseas Decoration Building, #122 Zhenhua RD., Futian, Shenzhen, China



6

5

4

3

2

1

E

E

D

D

C

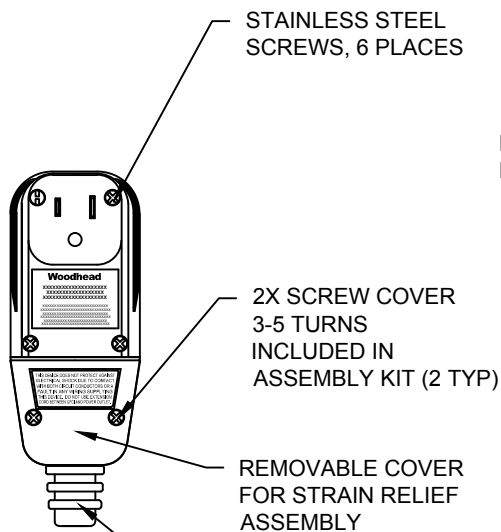
C

B

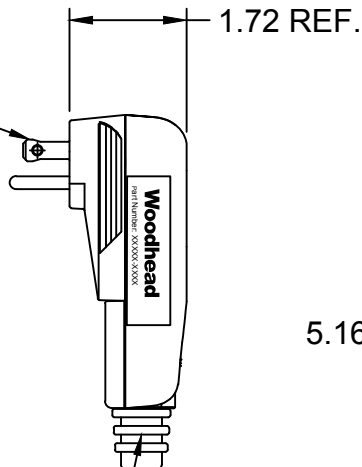
B

A

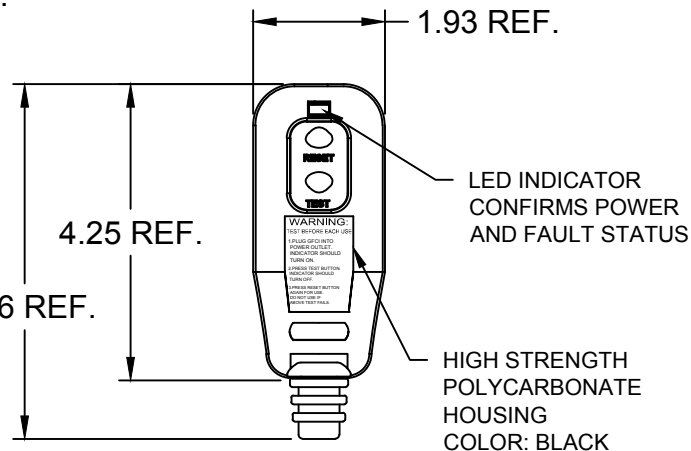
A



NEMA 5-15P PLUG



1.72 REF.



ASSEMBLY KIT INCLUDES (3) GROMMETS
 (1) 18 GA
 (1) 14 AND 16 GA
 (1) 12 GA
 NOTE: GROMMETS SHIPPED LOOSE ALONG WITH CABLE STRAIN RELIEF AND 4 SCREWS PACKED IN PLASTIC BAG

CORD STRAIN RELIEF

TECHNICAL:

LISTED:
 RATED SUPPLY VOLTAGE:
 RATED CURRENT:
 RESET TYPE:
 OPERATING FREQUENCY:
 TYPE:
 GROUND TRIP CURRENT:
 OVERLOAD CURRENT:
 INSULATION VOLTAGE:
 ENDURANCE OPERATIONS:

UL AND cUL
 120 VAC
 UP TO 15 AMPS OR CABLE RATING
 AUTOMATIC OR MANUAL
 60 Hz
 CLASS A
 4-6 mA
 90 AMP 125 VAC
 1,500 VRMS – 1 MINUTE
 3000 OPERATIONS

MATERIAL NO.	ENGINEERING NO.	POWER-UP
1301530099	15054A	AUTO
1301530100	15054M	MANUAL

INITIAL RELEASE EC NO: IPC2013-1078 DRWN: HKNEELAN 2008/10/20 CHKD: HKNEELAN 2014/07/22 APPR: JFMURPHY 2015/04/20	DESCRIPTION REV	QUALITY SYMBOLS ▽=0 ▽C=0	GENERAL TOLERANCES (UNLESS SPECIFIED)			DIMENSION STYLE INCH		SCALE NTS	DESIGN UNITS INCH	THIRD ANGLE PROJECTION	
			4 PLACES	mm	INCH	DRAWN BY HK	DATE 2008/10/20	TITLE 15A, FIELD ATTACHABLE GFCI PLUG			
			3 PLACES	±---	±---	CHECKED BY HKNEELAN	DATE 2014/07/22				
			2 PLACES	±0.13	±0.10	APPROVED BY JFMURPHY	DATE 2015/04/20	MOLEX INCORPORATED DOCUMENT NO. SD-130153-002 SHEET NO. 1 OF 1			
1 PLACE	±0.25	±0.020	MATERIAL NO.		THIS DRAWING CONTAINS INFORMATION THAT IS PROPRIETARY TO MOLEX INCORPORATED AND SHOULD NOT BE USED WITHOUT WRITTEN PERMISSION						
ANGULAR ±1/2°			DRAFT WHERE APPLICABLE MUST REMAIN WITHIN DIMENSIONS						SEE CHART		