



Chipsmall Limited consists of a professional team with an average of over 10 year of expertise in the distribution of electronic components. Based in Hongkong, we have already established firm and mutual-benefit business relationships with customers from,Europe,America and south Asia,supplying obsolete and hard-to-find components to meet their specific needs.

With the principle of “Quality Parts,Customers Priority,Honest Operation,and Considerate Service”,our business mainly focus on the distribution of electronic components. Line cards we deal with include Microchip,ALPS,ROHM,Xilinx,Pulse,ON,Everlight and Freescale. Main products comprise IC,Modules,Potentiometer,IC Socket,Relay,Connector.Our parts cover such applications as commercial,industrial, and automotives areas.

We are looking forward to setting up business relationship with you and hope to provide you with the best service and solution. Let us make a better world for our industry!



## Contact us

Tel: +86-755-8981 8866 Fax: +86-755-8427 6832

Email & Skype: info@chipsmall.com Web: www.chipsmall.com

Address: A1208, Overseas Decoration Building, #122 Zhenhua RD., Futian, Shenzhen, China



10

9

8

7

6

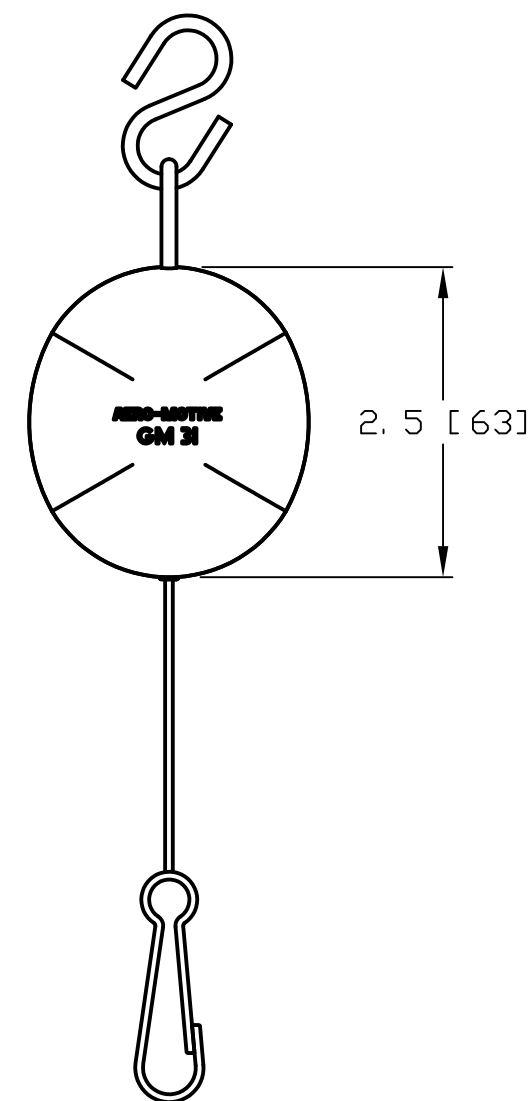
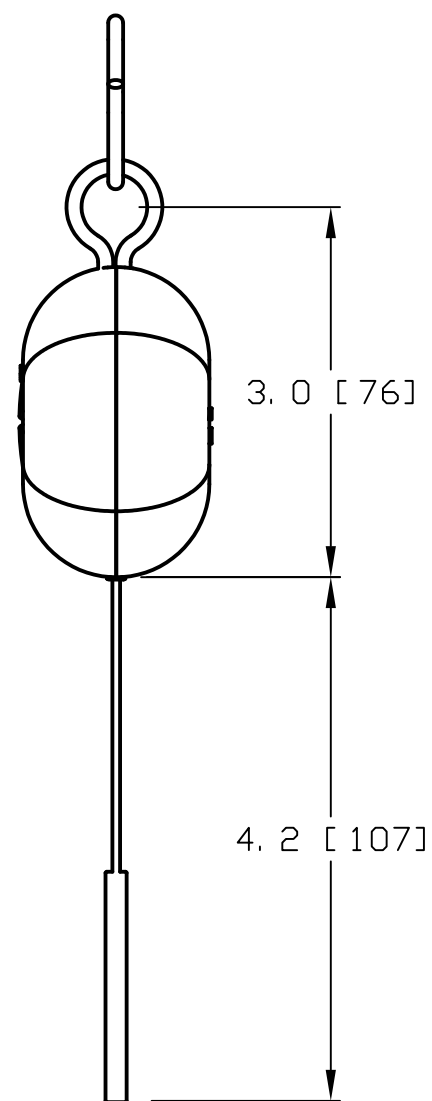
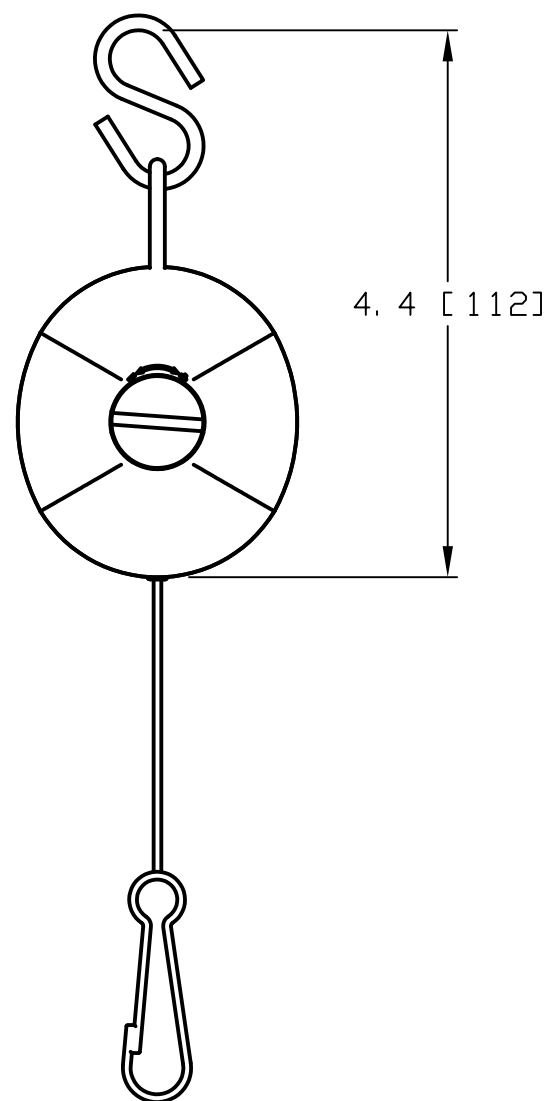
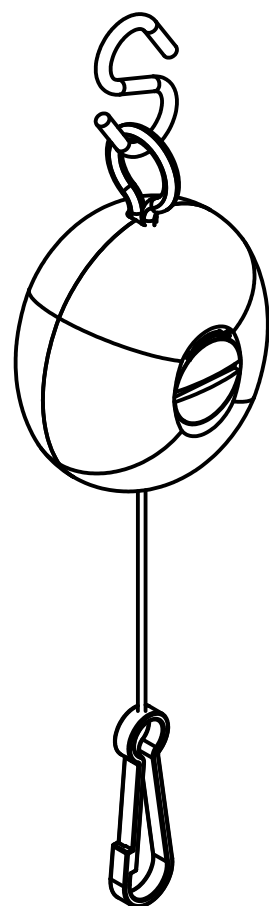
5

4

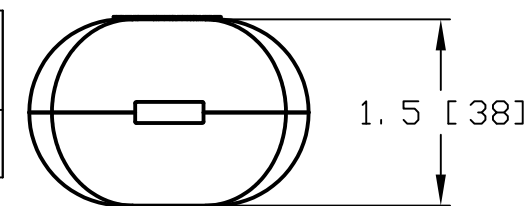
3

2

1



Material Number:	Engineering Number:	Description:	Weight Range in (KG):	Cable Travel in (M):	Weight Range in (LB):	Cable Travel in (FT):	Color:
1301690002	GM31	TOOL POSITIONER [1-10LB/0.5-4.5KG], 4.7FT	0.5 - 4.5	1.4	1.0 - 10.0	4.7	BLACK



## NOTES:

- ALWAYS READ INSTRUCTIONS MANUAL BEFORE USING RETRACTORS.
- HOUSINGS ARE MADE OF GENERAL PURPOSE ABS TO MEET HARSH INDUSTRIAL ENVIRONMENTS.
- GM31 WILL HOLD A LOAD TO A DESIRED POSITION WITHIN THE TRAVEL RANGE WITHOUT USING A RATCHET LOCK OR A LOCKING DEVICE.
- TENSION CAN BE EASILY ADJUSTED BY USING A SCREW DRIVER ON TO THE ALLOCATED SHAFT SLOT AND TURNING TOWARDS THE "+" OR "-" DIRECTION. "+" = INCREASE TENSION.
- TO REPOSITION LOAD TO TOP POSITION SIMPLY PULL ON CABLE AND WHILE HOLDING THE LOAD THE CABLE WILL RETRACT INTO HOUSING.
- OVERALL DIMENSIONS ARE FOR REFERENCE ONLY.

REV	DESCRIPTION	QUALITY SYMBOLS	GENERAL TOLERANCES (UNLESS SPECIFIED)		DIMENSION STYLE		SCALE	DESIGN UNITS	THIRD ANGLE PROJECTION	
			mm	INCH	IN/MM	NTS	INCH			
A	RELEASE TO GSM EC NO: WNA2010-0605 DRWN: RHOTCA 2010/03/31 CHKD: DT APPR: DITUS 2010/04/01	▽=0 ∇=0 ∠=0	4 PLACES	±-	±-	DRAWN BY RHOTCA	DATE 2010/03/31	TITLE GM31 SERIES TOOL POSITIONER		
			3 PLACES	±-	±-	CHECKED BY DT	DATE 2010/03/31			
			2 PLACES	±-	±-	APPROVED BY DITUS	DATE 2010/03/31			
			1 PLACE	±-	±-	MATERIAL NO. SEE TABLE	DOCUMENT NO. SD-130169-001	SHEET NO. 1 OF 1		
			ANGULAR ±1°		DRAFT WHERE APPLICABLE MUST REMAIN WITHIN DIMENSIONS		THIS DRAWING CONTAINS INFORMATION THAT IS PROPRIETARY TO MOLEX INCORPORATED AND SHOULD NOT BE USED WITHOUT WRITTEN PERMISSION			

10

9

8

7

6

5

4

3

2

1