



Chipsmall Limited consists of a professional team with an average of over 10 year of expertise in the distribution of electronic components. Based in Hongkong, we have already established firm and mutual-benefit business relationships with customers from,Europe,America and south Asia,supplying obsolete and hard-to-find components to meet their specific needs.

With the principle of “Quality Parts,Customers Priority,Honest Operation,and Considerate Service”,our business mainly focus on the distribution of electronic components. Line cards we deal with include Microchip,ALPS,ROHM,Xilinx,Pulse,ON,Everlight and Freescale. Main products comprise IC,Modules,Potentiometer,IC Socket,Relay,Connector.Our parts cover such applications as commercial,industrial, and automotives areas.

We are looking forward to setting up business relationship with you and hope to provide you with the best service and solution. Let us make a better world for our industry!



Contact us

Tel: +86-755-8981 8866 Fax: +86-755-8427 6832

Email & Skype: info@chipsmall.com Web: www.chipsmall.com

Address: A1208, Overseas Decoration Building, #122 Zhenhua RD., Futian, Shenzhen, China



10

9

8

7

6

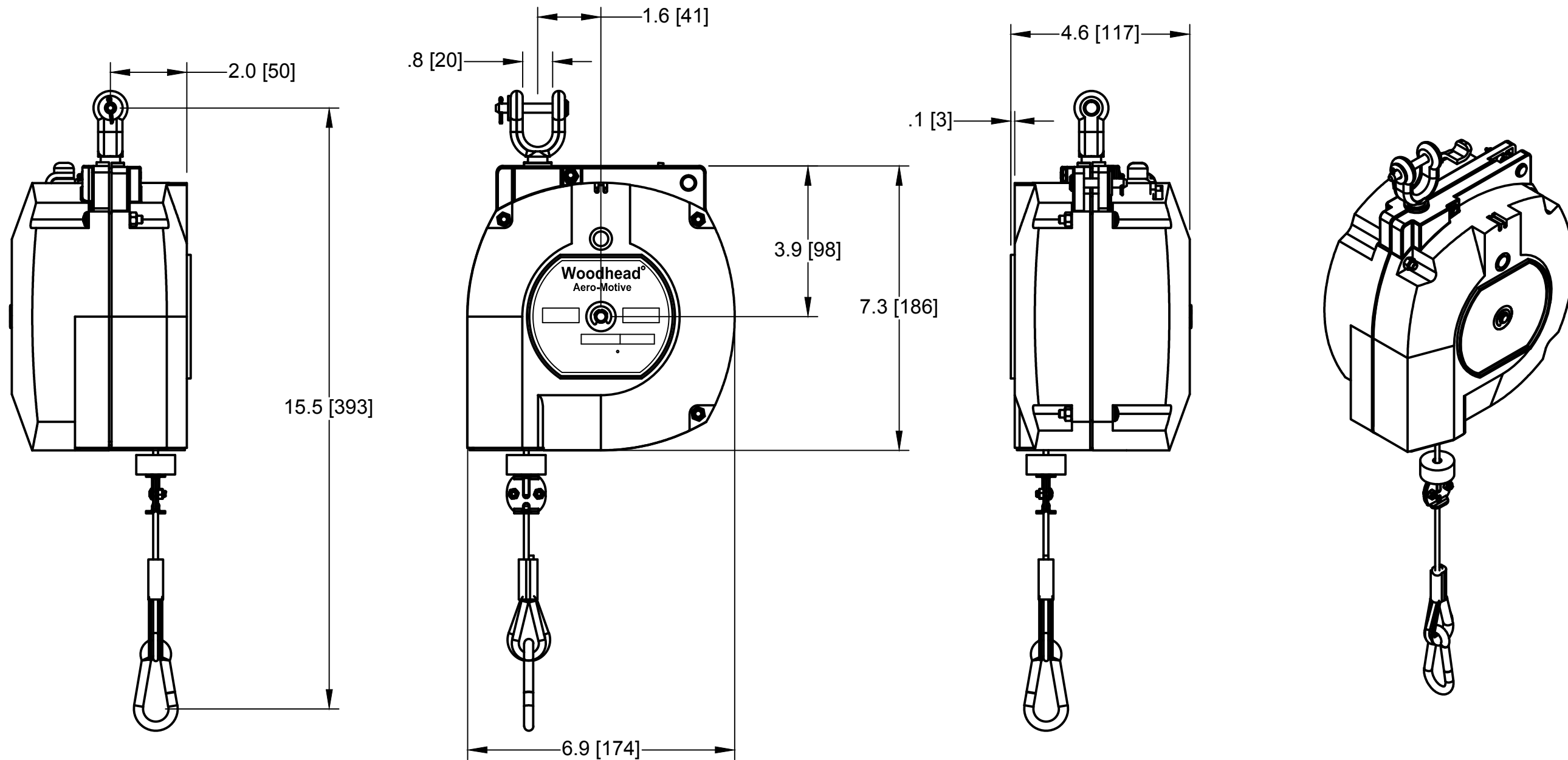
5

4

3

2


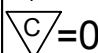
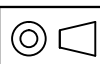
1



ALL DIMENSIONS ARE FOR REFERENCE ONLY.

NOTES:

- BALANCERS ARE 100% INSPECTED & PRE-TENSIONED AT FACTORY.
- HOUSINGS ARE MADE OF GENERAL PURPOSE ABS TO MEET HARSH INDUSTRIAL ENVIRONMENTS.
- ALWAYS READ INSTRUCTIONS MANUAL BEFORE USING BALANCERS.
- BALANCERS ARE NOT TO BE USED AS RETRACTORS THEIR MAIN PURPOSE BEING TO BALANCE A LOAD AND NOT TO RETRACT ONE.
- IF A RATCHETING LOCK IS REQUIRED ADD AN "L" AFTER "BF" FAMILY OF BALANCERS. EXAMPLE BFL18 IS STANDARD BF18 BALANCER WITH A RATCHET LOCK FEATURE. FOR MORE INFO LOOK ON MAIN MATERIAL NUMBERS TABLE.
- THESE BALANCERS DO NOT COME EQUIPPED WITH A SAFETY CHAIN.
- TO OBTAIN BALANCER EQUIPPED WITH A SAFETY CHAIN ADD "SC" SUFFIX ON THE END OF ENGINEERING NUMBER. EXAMPLE "BF18SC".

CHNG COLOR AND ADD SHEET 3 EC NO: IPG2016-0105 DRWN: VOU 2016/02/22 CHKD: KJOZWIK 2016/02/22 APPR: JFMURPHY	DESCRIPTION REV	QUALITY SYMBOLS  = 0  = 0		GENERAL TOLERANCES (UNLESS SPECIFIED)		DIMENSION STYLE IN/MM		SCALE NTS	DESIGN UNITS INCH	 THIRD ANGLE PROJECTION	
		4 PLACES ±--- ±---	DRAWN BY VOU	DATE 2016/02/22	TITLE "BF" AND "BFLR" FAMILY OF BALANCERS						
		3 PLACES ±--- ±.005	CHECKED BY DT	DATE 2009/09/30	MOLEX INCORPORATED						
		2 PLACES ±0.13 ±.010	APPROVED BY ---		MATERIAL NO. SEE TABLE	DOCUMENT NO. SD-130170-001	SHEET NO. 1 OF 3				
		1 PLACE ±0.25 ±.020	DRAFT WHERE APPLICABLE MUST REMAIN WITHIN DIMENSIONS		SIZE B	THIS DRAWING CONTAINS INFORMATION THAT IS PROPRIETARY TO MOLEX INCORPORATED AND SHOULD NOT BE USED WITHOUT WRITTEN PERMISSION					
ANGULAR ±.5°											

10

9

8

7

6

5

4

3

2

1

MATERIAL NUMBER	ENG. NUMBER	DESCRIPTION	COLOR
1301700021	BF6	BF6 BALANCER [3-6LB/1.4-2.7KG],6.6FT	BLUE
1301700023	BF9	BF9 BALANCER [6-9LB/2.7-4.1KG],6.6FT	BLUE
1301700015	BF13	BF13 BALANCER [9-13LB/4.1-5.9KG],6.6FT	BLUE
1301700017	BF18	BF18 BALANCER [13-18LB/5.9-8.2KG],6.6FT	BLUE
1301700019	BF24	BF24 BALANCER [18-24LB/8.2-10.9KG],6.6FT	BLUE
1301700032	BFL6	BF6 BALANCER WITH RATCHET LOCK	BLUE
1301700033	BFL9	BF9 BALANCER WITH RATCHET LOCK	BLUE
1301700025	BFL13	BF13 BALANCER WITH RATCHET LOCK	BLUE
1301700027	BFL18	BF18 BALANCER WITH RATCHET LOCK	BLUE
1301700030	BFL24	BF24 BALANCER WITH RATCHET LOCK	BLUE

CHNG COLOR AND ADD SHEET 3 EC NO: IPG2016-0105 DRWN: VOU CHKD: KJOZWIK APPR: JFMURPHY	2016/02/22 2016/02/22	DESCRIPTION REV	QUALITY SYMBOLS	GENERAL TOLERANCES (UNLESS SPECIFIED)		DIMENSION STYLE		SCALE	DESIGN UNITS	THIRD ANGLE PROJECTION
			▽=0 ∇=0	IN/MM		NTS	INCH	DRAWN BY DATE		
				mm	INCH	VOU	2016/02/22	CHECKED BY DATE		MOLEX INCORPORATED
				4 PLACES ±---	±---	DT	2009/09/30	APPROVED BY DATE		
	3 PLACES ±---	±.005	ANGULAR ±.5°		MATERIAL NO.		SD-130170-001		2 OF 3	
	2 PLACES ±0.13	±.010	DRAFT WHERE APPLICABLE MUST REMAIN WITHIN DIMENSIONS		SEE TABLE		THIS DRAWING CONTAINS INFORMATION THAT IS PROPRIETARY TO MOLEX INCORPORATED AND SHOULD NOT BE USED WITHOUT WRITTEN PERMISSION			
	1 PLACE ±0.25	±.020								

F

F

REPLACEMENT PART KITS

E

E

D

D

C

C

B

B

A

A

MATERIAL NUMBER	ENGINEERING NUMBER	DESCRIPTION
1301790423	H22510061	FRONT & REAR CASE ASSEMBLY
1301792025	H22510028	DRUM ASSEMBLY - BF6/BFL6
1301792026	H22510029	DRUM ASSEMBLY - BF9/BFL9
1301792027	H22510030	DRUM ASSEMBLY - BF13/BFL13
1301792028	H22510031	DRUM ASSEMBLY - BF18/BFL18
1301792029	H22510032	DRUM ASSEMBLY - BF24/BFL24
1302263054	H16510014	SWIVEL FORK KIT
1301791099	H13120012-RP	CABLE ASSEMBLY KIT
1302262589	H18110029	CLEVIS PIN KIT

NOTES:
- KITS NOT LISTED ABOVE ARE SPECIFIED ON INDIVIDUAL PRINT.

CHNG COLOR AND ADD SHEET 3 EC NO: IPG2016-0105 DRWN: VOU CHKD: KJOZWIK APPR: JFMURPHY	2016/02/22 2016/02/22	DESCRIPTION REV	QUALITY SYMBOLS ▽=0 ▽C=0	GENERAL TOLERANCES (UNLESS SPECIFIED)		DIMENSION STYLE IN/MM		SCALE NTS	DESIGN UNITS INCH	THIRD ANGLE PROJECTION
				mm	INCH	DRAWN BY VOU	DATE 2016/02/22	TITLE "BF" AND "BFLR" FAMILY OF BALANCERS		
			4 PLACES	±---	±---	CHECKED BY DT	DATE 2009/09/30			
			3 PLACES	±---	±.005	APPROVED BY ---		DATE ---	MOLEX INCORPORATED	
2 PLACES	±0.13	±.010	MATERIAL NO. SEE TABLE		DOCUMENT NO. SD-130170-001	SHEET NO. 3 OF 3				
1 PLACE	±0.25	±.020	DRAFT WHERE APPLICABLE MUST REMAIN WITHIN DIMENSIONS		SIZE B	THIS DRAWING CONTAINS INFORMATION THAT IS PROPRIETARY TO MOLEX INCORPORATED AND SHOULD NOT BE USED WITHOUT WRITTEN PERMISSION				
ANGULAR ±.5°										