



Chipsmall Limited consists of a professional team with an average of over 10 year of expertise in the distribution of electronic components. Based in Hongkong, we have already established firm and mutual-benefit business relationships with customers from,Europe,America and south Asia,supplying obsolete and hard-to-find components to meet their specific needs.

With the principle of “Quality Parts,Customers Priority,Honest Operation,and Considerate Service”,our business mainly focus on the distribution of electronic components. Line cards we deal with include Microchip,ALPS,ROHM,Xilinx,Pulse,ON,Everlight and Freescale. Main products comprise IC,Modules,Potentiometer,IC Socket,Relay,Connector.Our parts cover such applications as commercial,industrial, and automotives areas.

We are looking forward to setting up business relationship with you and hope to provide you with the best service and solution. Let us make a better world for our industry!



Contact us

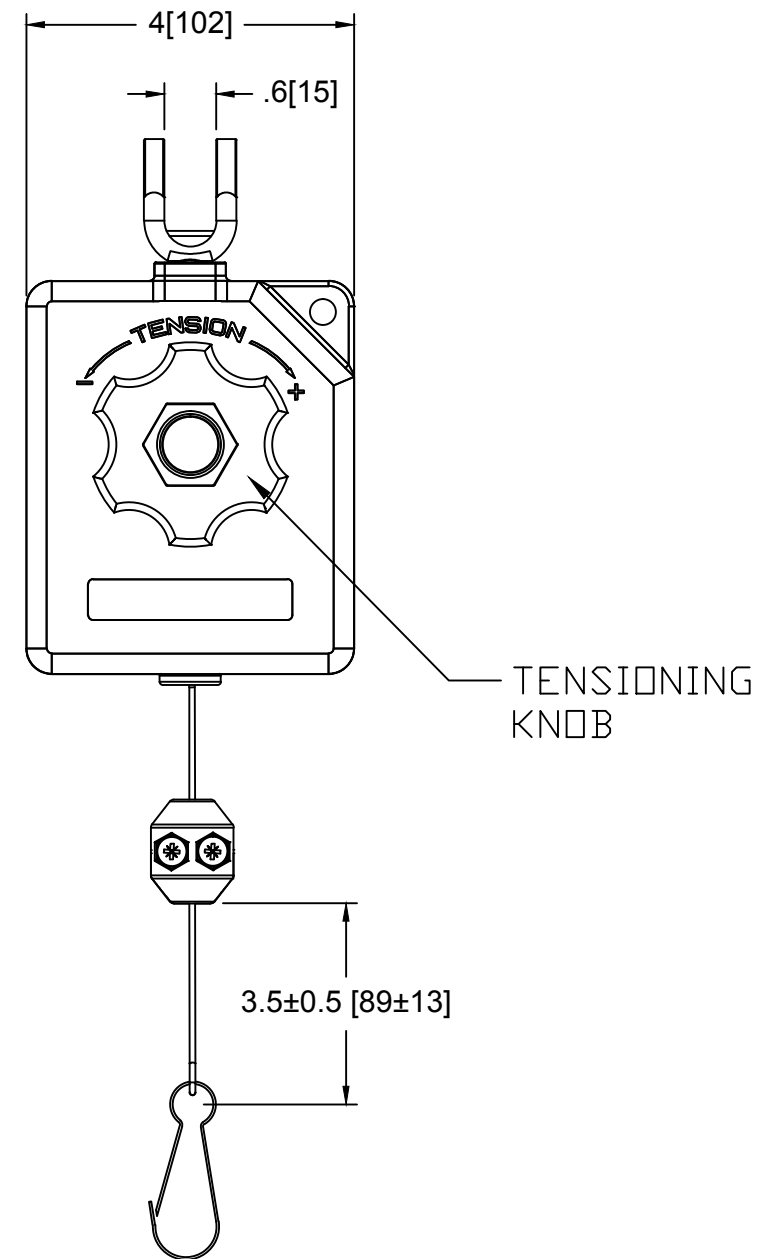
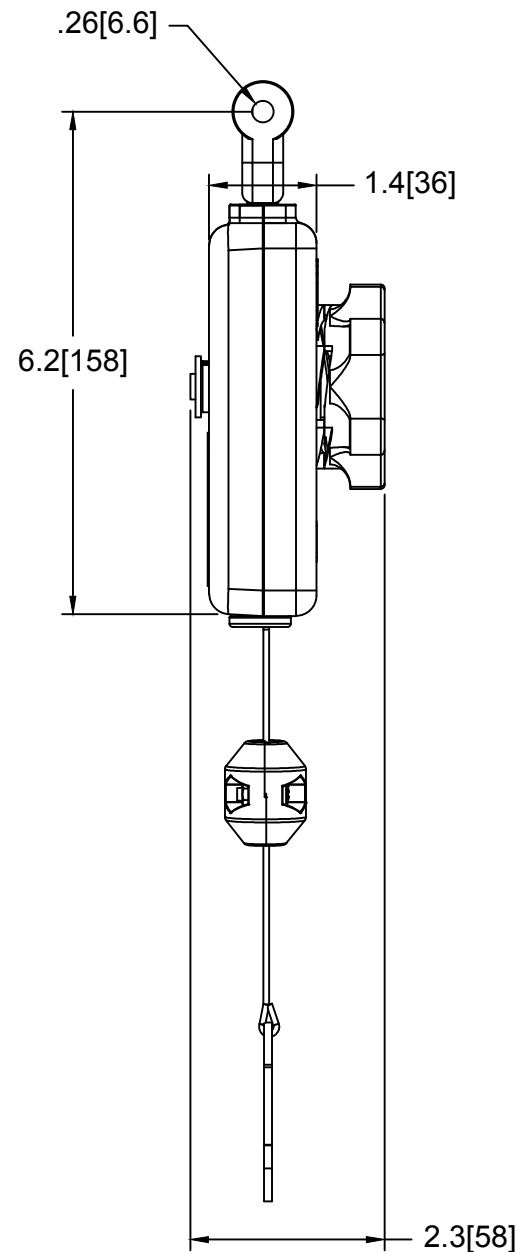
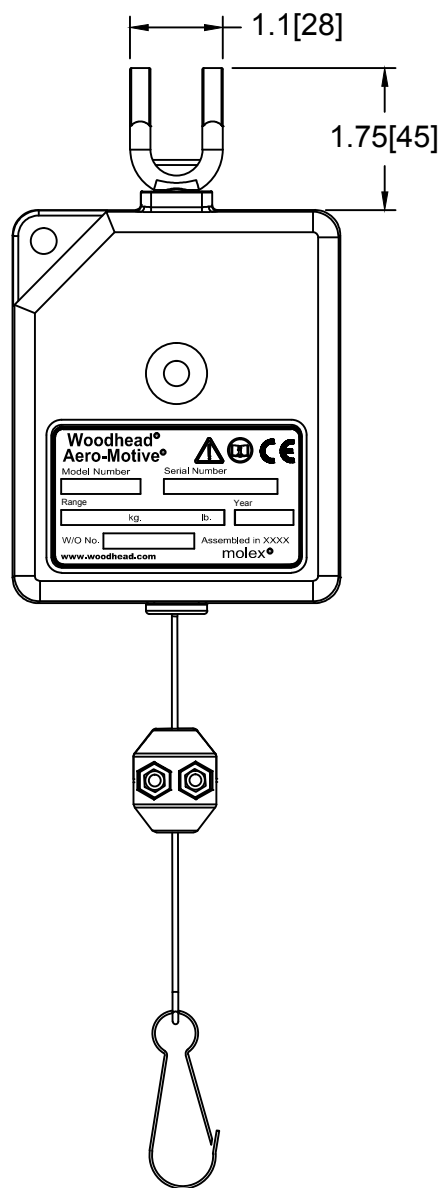
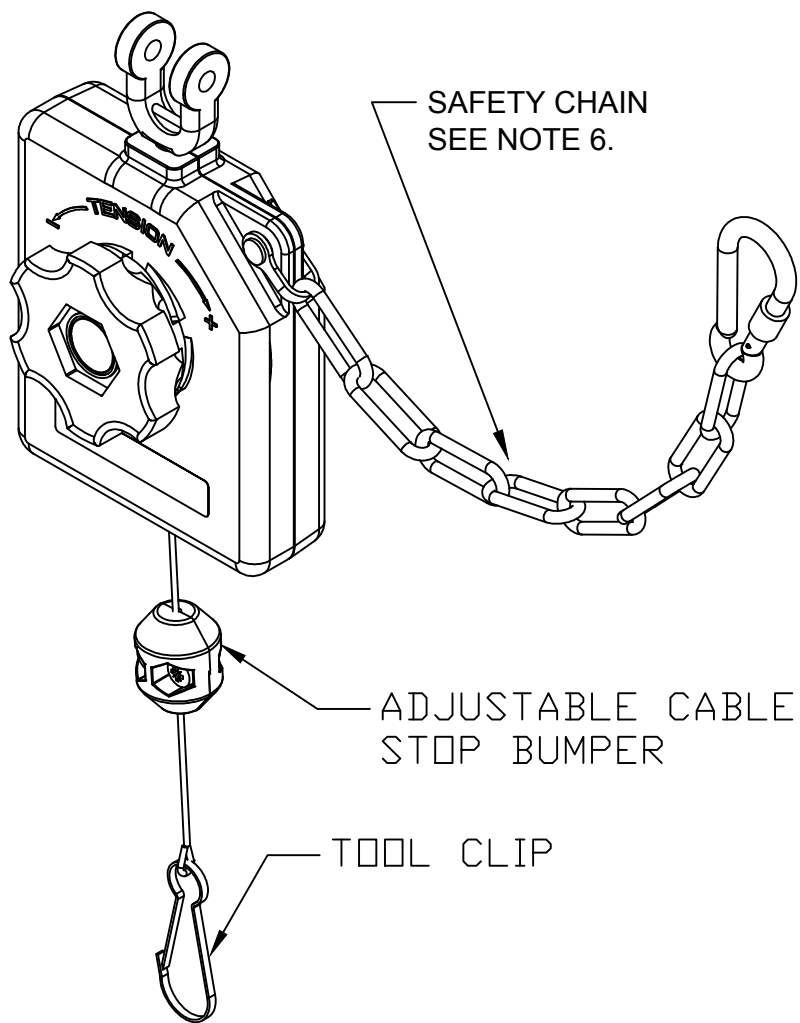
Tel: +86-755-8981 8866 Fax: +86-755-8427 6832

Email & Skype: info@chipsmall.com Web: www.chipsmall.com

Address: A1208, Overseas Decoration Building, #122 Zhenhua RD., Futian, Shenzhen, China



10 9 8 7 6 5 4 3 2 1



NOTES:

1. RETRACTORS ARE 100% INSPECTED & PRE-TENSIONED AT FACTORY.
2. HOUSINGS ARE MADE OF GENERAL PURPOSE ABS TO MEET HARSH INDUSTRIAL ENVIRONMENTS.
3. ALWAYS READ INSTRUCTIONS MANUAL BEFORE USING RETRACTORS.
4. RETRACTORS ARE NOT TO BE USED AS BALANCERS, THEIR MAIN PURPOSE BEING TO RETRACT A LOAD AND NOT TO BALANCE ONE.
5. OVERALL DIMENSIONS ARE FOR REFERENCE ONLY.
6. STANDARD CATALOG RETRACTORS ARE NOT EQUIPPED WITH SAFETY CHAIN. BUT IF APPLICATION REQUIRES A SAFETY CHAIN ADD "SC" SUFFIX TO STANDARD BALANCER P/N. EXAMPLE RB2SC.
7. RETRACTORS COME WITH A CLEVIS PIN & A COTTER PIN

ALL DIMENSIONS ARE FOR REFERENCE ONLY.

ADD NC VERSIONS EC NO: IPG2012-0926 DRWN: VOU CHKD: MZIELINS APPR: JFMURPHY 6/11/16 2016/06/01 2010/03/31	DESCRIPTION REV	QUALITY SYMBOLS ▽=0 ∇=0	GENERAL TOLERANCES (UNLESS SPECIFIED)		DIMENSION STYLE IN/MM		SCALE NTS	DESIGN UNITS INCH	THIRD ANGLE PROJECTION		
			mm	INCH	DRAWN BY	DATE	"RB" SERIES OF RETRACTORS ----- MOLEX INCORPORATED				
		4 PLACES	±---	±---	RHOTCA	2010/03/25					
		3 PLACES	±---	±---	CHECKED BY	DATE	Molex DOCUMENT NO. SD-130173-001 SHEET NO. 1 OF 2				
2 PLACES	±---	±---	DT	2010/03/25							
1 PLACE	±---	±---	APPROVED BY	DATE	THIS DRAWING CONTAINS INFORMATION THAT IS PROPRIETARY TO MOLEX INCORPORATED AND SHOULD NOT BE USED WITHOUT WRITTEN PERMISSION						
ANGULAR ±1°			DTITUS	2010/03/31							
DRAFT WHERE APPLICABLE MUST REMAIN WITHIN DIMENSIONS			SEE TABLE								

10 9 8 7 6 5 4 3 2 1

10 9 8 7 6 5 4 3 2 1

F

E

D

C

B

A

F

E

D

C

B

A

MATERIAL NUMBER:	ENG. NUMBER:	DESCRIPTION	WEIGHT RANGE (KG)	CABLE TRAVEL (M)	WEIGHT RANGE (LB)	CABLE TRAVEL (FT)	COLOR
1301730036	RB2	RB2 RETRACTOR [0-2LB/0-0.9KG], 5.2FT	0 - 0.9	1.6	0 - 2.0	5.2	BLUE
1301730048	RB4	RB4 RETRACTOR [2-4LB/0.9-1.8KG], 5.2FT	0.9 - 1.8	1.6	2.0 - 4.0	5.2	BLUE
1301730043	RB2SC	RB2 RETRACTOR WITH SAFETY CHAIN	0 - 0.9	1.6	0 - 2.0	5.2	BLUE
1301730050	RB4SC	RB4 RETRACTOR WITH SAFETY CHAIN	0.9 - 1.8	1.6	2.0 - 4.0	5.2	BLUE
1301730037	RB210	RB210 RETRACTOR [1-2LB/0.5-0.9KG], 10FT	0.5 - 0.9	3.0	1.0 - 2.0	10.0	BLUE
1301730092	RB2-NC	RB2 RETRACTOR [0-2LB/0-0.9KG], 5.2FT NYLON COATED CABLE	0 - 0.9	1.6	0 - 2.0	5.2	BLUE
1301730093	RB4-NC	RB4 RETRACTOR [2-4LB/0.9-1.8KG], 5.2FT NYLON COATED CABLE	0.9 - 1.8	1.6	2.0 - 4.0	5.2	BLUE

ADD NC VERSIONS EC NO: IPG2012-0926 DRWN: VOU CHKD: MZIELINS 2016/06/01 APPR: JFMURPHY 2010/03/31	DESCRIPTION REV	QUALITY SYMBOLS	GENERAL TOLERANCES (UNLESS SPECIFIED)		DIMENSION STYLE		SCALE	DESIGN UNITS	THIRD ANGLE PROJECTION	
		▽=0 ▽C=0	mm	INCH	IN/MM		NTS	INCH		
		4 PLACES	±---	±---	DRAWN BY	DATE	"RB" SERIES OF RETRACTORS ---- MOLEX INCORPORATED			
		3 PLACES	±---	±---	RHOTCA	2010/03/25				
		2 PLACES	±---	±---	CHECKED BY	DATE	MOLEX INCORPORATED			
1 PLACE	±---	±---	DT	2010/03/25						
ANGULAR ±1°			APPROVED BY	DATE	MATERIAL NO.	DOCUMENT NO.	SHEET NO.			
DRAFT WHERE APPLICABLE MUST REMAIN WITHIN DIMENSIONS			DTITUS	2010/03/31	SEE TABLE	SD-130173-001	2 OF 2			
			SIZE	THIS DRAWING CONTAINS INFORMATION THAT IS PROPRIETARY TO MOLEX INCORPORATED AND SHOULD NOT BE USED WITHOUT WRITTEN PERMISSION						
C			B							

10 9 8 7 6 5 4 3 2 1