



Chipsmall Limited consists of a professional team with an average of over 10 year of expertise in the distribution of electronic components. Based in Hongkong, we have already established firm and mutual-benefit business relationships with customers from,Europe,America and south Asia,supplying obsolete and hard-to-find components to meet their specific needs.

With the principle of “Quality Parts,Customers Priority,Honest Operation,and Considerate Service”,our business mainly focus on the distribution of electronic components. Line cards we deal with include Microchip,ALPS,ROHM,Xilinx,Pulse,ON,Everlight and Freescale. Main products comprise IC,Modules,Potentiometer,IC Socket,Relay,Connector.Our parts cover such applications as commercial,industrial, and automotives areas.

We are looking forward to setting up business relationship with you and hope to provide you with the best service and solution. Let us make a better world for our industry!



Contact us

Tel: +86-755-8981 8866 Fax: +86-755-8427 6832

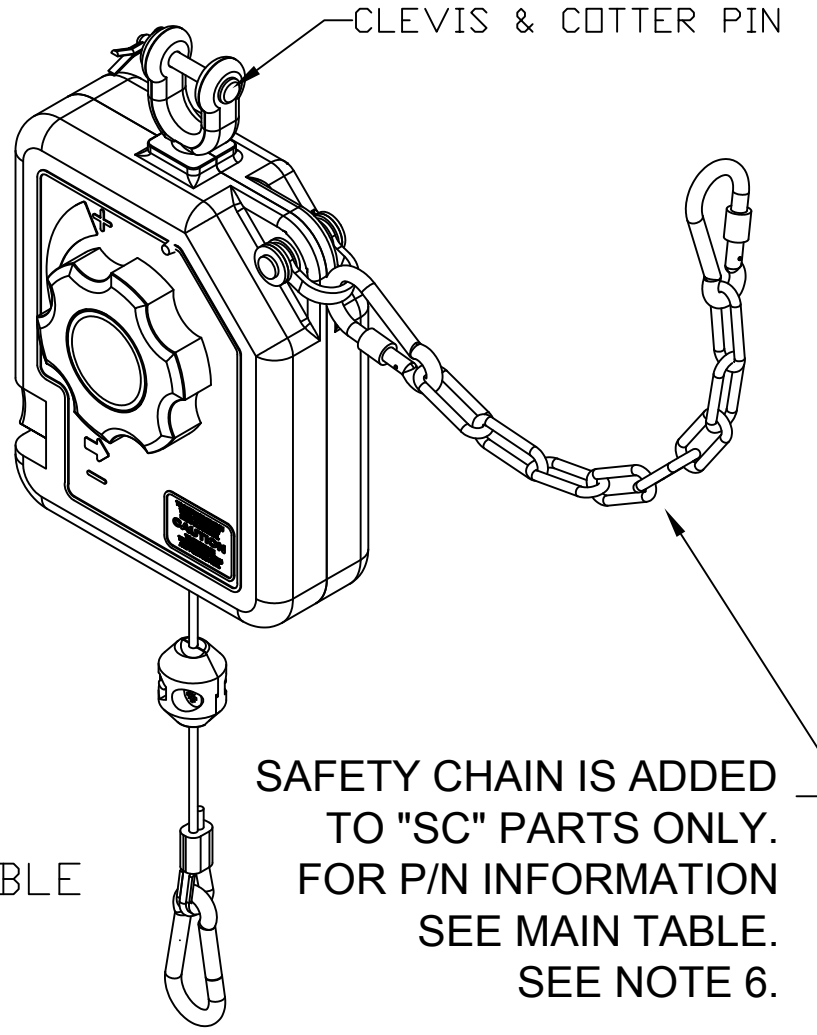
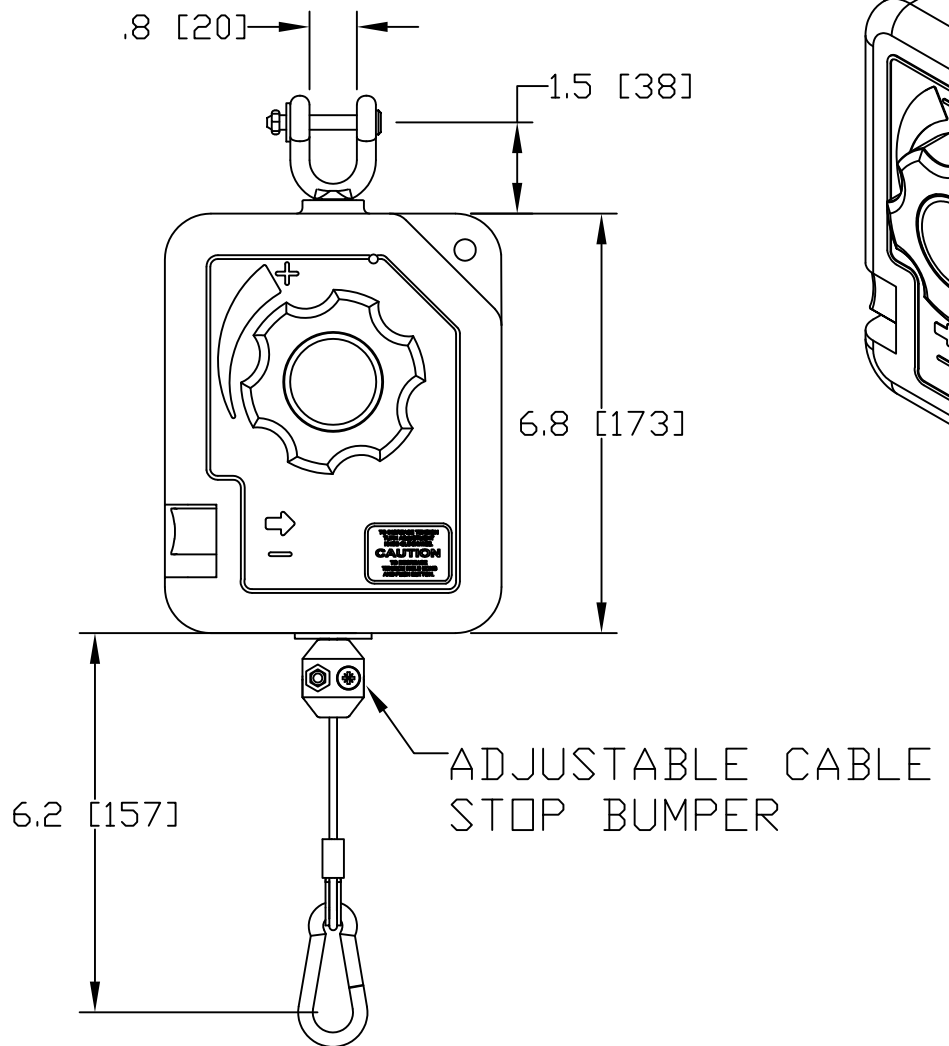
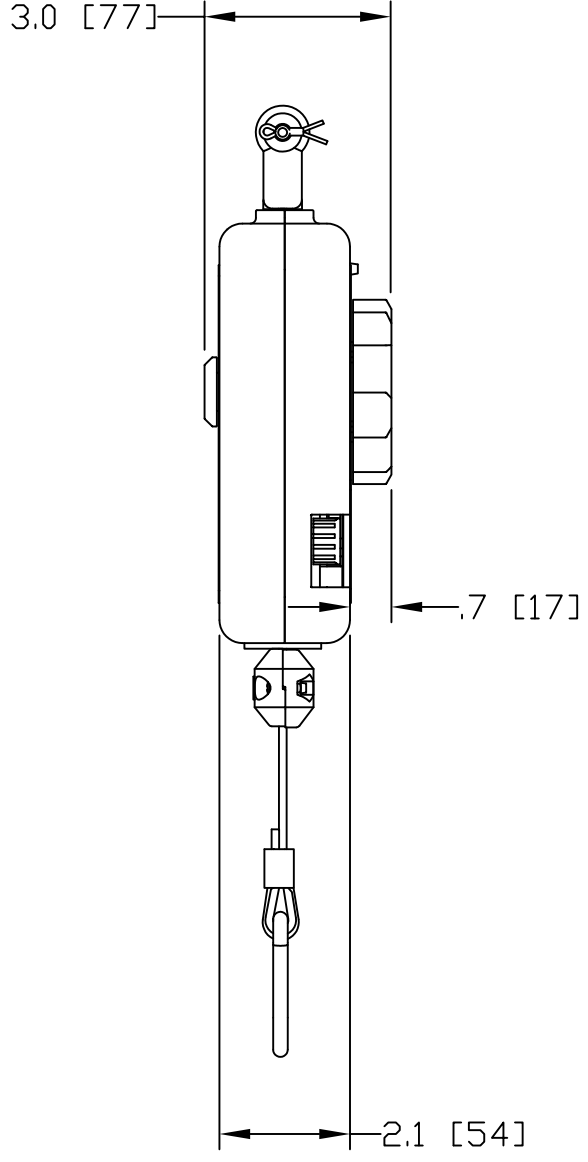
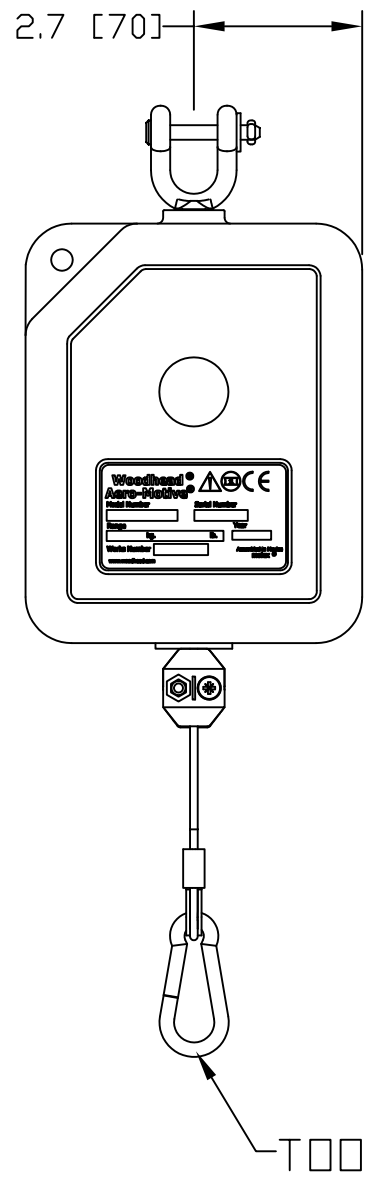
Email & Skype: info@chipsmall.com Web: www.chipsmall.com

Address: A1208, Overseas Decoration Building, #122 Zhenhua RD., Futian, Shenzhen, China



10 9 8 7 6 5 4 3 2 1

F
E
D
C
B
A



- NOTES:
1. RETRACTORS ARE 100% INSPECTED & PRE-TENSIONED AT FACTORY.
 2. HOUSINGS ARE MADE OF GENERAL PURPOSE ABS TO MEET HARSH INDUSTRIAL ENVIRONMENTS.
 3. ALWAYS READ INSTRUCTIONS MANUAL BEFORE USING RETRACTORS.
 4. RETRACTORS ARE NOT TO BE USED AS BALANCERS THEIR MAIN PURPOSE BEING TO RETRACT A LOAD AND NOT TO BALANCE ONE.
 5. OVERALL DIMENSIONS ARE FOR REFERENCE ONLY.
 6. STANDARD CATALOG RETRACTORS ARE NOT EQUIPED WITH SAFETY CHAIN, BUT IF APPLICATION REQUIRES A SAFETY CHAIN ADD "SC" SUFFIX TO STANDARD BALANCER P/N. EXAMPLE RF6SC. ON MAIN MATERIAL NUMBERS TABLE.
 7. RETRACTORS COME WITH A CLEVIS PIN & A COTTER PIN

RELEASE TO GSM EC NO: WNA2010-0605 DRWN: RHOTCA 2010/03/30 CHKD: DT APPR: DTITUS 2010/04/01	QUALITY SYMBOLS ▽=0 ▽=0	GENERAL TOLERANCES (UNLESS SPECIFIED)		DIMENSION STYLE IN/MM		SCALE NTS	DESIGN UNITS INCH	THIRD ANGLE PROJECTION		
		4 PLACES	±	±	DRAWN BY RHOTCA DATE 2010/03/30	TITLE RF" SERIES OF RETRACTORS				
		3 PLACES	±	±	CHECKED BY DT DATE 2010/03/30	MOLEX INCORPORATED				
		2 PLACES	±	±	APPROVED BY DTITUS DATE 2010/03/31	MATERIAL NO. SEE TABLE	DOCUMENT NO. SD-130173-002	SHEET NO. 1 OF 2		
1 PLACE	±	±	ANGULAR ±1°		THIS DRAWING CONTAINS INFORMATION THAT IS PROPRIETARY TO MOLEX INCORPORATED AND SHOULD NOT BE USED WITHOUT WRITTEN PERMISSION					
DRAFT WHERE APPLICABLE MUST REMAIN WITHIN DIMENSIONS										

10 9 8 7 6 5 4 3 2 1

10 9 8 7 6 5 4 3 2 1

Material Number:	Engineering Number:	Description:	Weight Range in (KG):	Cable Travel in (M):	Weight Range in (LB):	Cable Travel in (FT):	Color:
1301730055	RF6	RF6 RETRACTOR[4-6LB/1.8-2.7KG], 6.6FT	1.8 - 2.7	2.0	4.0 - 6.0	6.6	PUTTY
1301730061	RF8	RF8 RETRACTOR[6-8LB/2.7-3.6KG], 6.6FT	2.7 - 3.6	2.0	6.0 - 8.0	6.6	PUTTY
1301730069	RFL6	RF6 [4-6LB/1.8-2.7KG] W/RATCHET LOCK	1.8 - 2.7	2.0	4.0 - 6.0	6.6	PUTTY
1301730074	RFL8	RF8 [6-8LB/2.7-3.6KG] W/RATCHET LOCK	2.7 - 3.6	2.0	6.0 - 8.0	6.6	PUTTY
1301730057	RF6SC	RF6 [4-6LB/1.8-2.7KG] W/SAFETY CHAIN	1.8 - 2.7	2.0	4.0 - 6.0	6.6	PUTTY
1301730065	RF8SC	RF8 [6-8LB/2.7-3.6KG] W/SAFETY CHAIN	2.7 - 3.6	2.0	6.0 - 8.0	6.6	PUTTY
1301730071	RFL6SC	RFL6 [4-6LB/1.8-2.7KG] W/SAFETY CHAIN	1.8 - 2.7	2.0	4.0 - 6.0	6.6	PUTTY
1301730086	RFL8SC	RFL8 [6-8LB/2.7-3.6KG] W/SAFETY CHAIN	2.7 - 3.6	2.0	6.0 - 8.0	6.6	PUTTY

D
C
B

RELEASE TO GSM EC NO: WNA2010-0605 DRWN: RHOTCA 2010/03/30 CHKD: DT APPR: DITUS 2010/04/01	DESCRIPTION REV	QUALITY SYMBOLS ▽=0 ▽=0	GENERAL TOLERANCES (UNLESS SPECIFIED)		DIMENSION STYLE IN/MM		SCALE NTS	DESIGN UNITS INCH	THIRD ANGLE PROJECTION		
			mm	INCH	DRAWN BY	DATE	RF" SERIES OF RETRACTORS ----				
		4 PLACES	±-	±-	RHOTCA	2010/03/30					
		3 PLACES	±-	±-	CHECKED BY	DATE	MOLEX INCORPORATED				
2 PLACES	±-	±-	DT	2010/03/30							
1 PLACE	±-	±-	APPROVED BY	DATE	MATERIAL NO. SEE TABLE DOCUMENT NO. SD-130173-002 SHEET NO. 2 OF 2						
ANGULAR ±1°			DTITUS	2010/03/31							
DRAFT WHERE APPLICABLE MUST REMAIN WITHIN DIMENSIONS			SIZE B		THIS DRAWING CONTAINS INFORMATION THAT IS PROPRIETARY TO MOLEX INCORPORATED AND SHOULD NOT BE USED WITHOUT WRITTEN PERMISSION						

10 9 8 7 6 5 4 3 2 1