



Chipsmall Limited consists of a professional team with an average of over 10 year of expertise in the distribution of electronic components. Based in Hongkong, we have already established firm and mutual-benefit business relationships with customers from,Europe,America and south Asia,supplying obsolete and hard-to-find components to meet their specific needs.

With the principle of “Quality Parts,Customers Priority,Honest Operation,and Considerate Service”,our business mainly focus on the distribution of electronic components. Line cards we deal with include Microchip,ALPS,ROHM,Xilinx,Pulse,ON,Everlight and Freescale. Main products comprise IC,Modules,Potentiometer,IC Socket,Relay,Connector.Our parts cover such applications as commercial,industrial, and automotives areas.

We are looking forward to setting up business relationship with you and hope to provide you with the best service and solution. Let us make a better world for our industry!



## Contact us

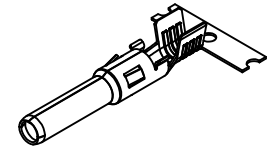
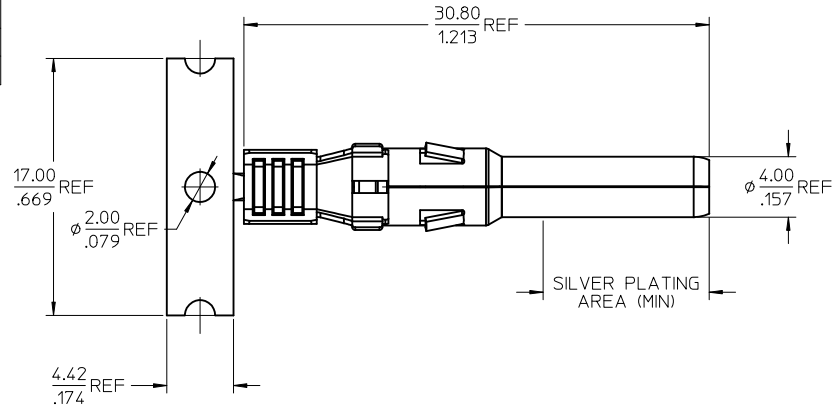
Tel: +86-755-8981 8866 Fax: +86-755-8427 6832

Email & Skype: info@chipsmall.com Web: www.chipsmall.com

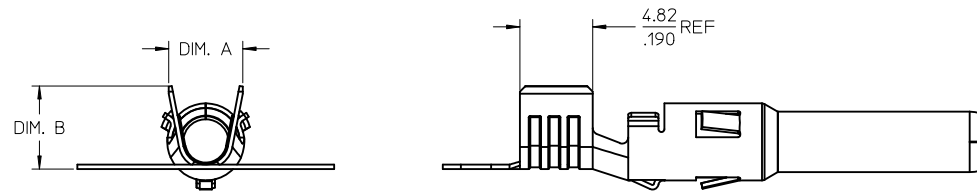
Address: A1208, Overseas Decoration Building, #122 Zhenhua RD., Futian, Shenzhen, China



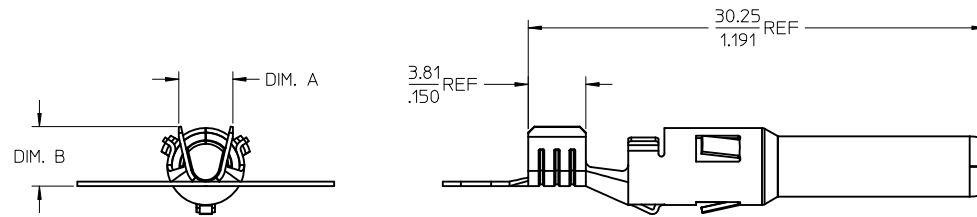
13	12	11	10	9	8
MATERIAL NO. ON STRIP	MATERIAL NO. LOOSE PIECE	CABLE SIZE	DIM. "A" REF	DIM. "B" REF	USE WITH HOUSING ASSY
1301960315	1301960313	2.5mm <sup>2</sup> / 14AWG	3.58/.141	3.94/.155	1302440204
1301960314	1301960310	4.0-6.0mm <sup>2</sup> / 12-10AWG	4.90/.193	5.51/.217	1302440202



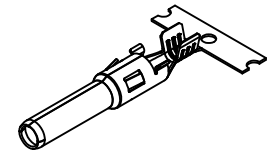
12-10 AWG (4.0-6.0mm<sup>2</sup>)  
SCALE 2:1



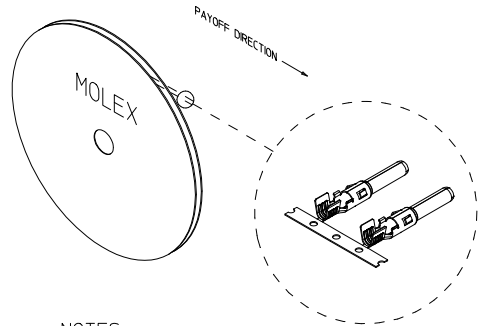
12-10 AWG (4.0-6.0mm<sup>2</sup>)



14 AWG (2.5mm<sup>2</sup>)  
SAME AS 12-10 AWG  
EXCEPT AS NOTED



14 AWG (2.5mm<sup>2</sup>)  
SCALE 2:1



NOTES:

1. MATERIAL: COPPER ALLOY 0.30/.012 THK.
2. FINISH: 2.04METER/80MINCH MIN. SELECTIVE SILVER OVER 1.27METER/50MINCH MIN. NICKEL OVERALL
3. TERMINAL FOR USE WITH 130244 SERIES PIN HOUSING ASSEMBLY. SEE CHART FOR APPLICABLE PART NUMBERS.
4. STRIP TERMINALS ARE REELED AS SHOWN ABOVE ON Ø580MM (22.84") REELS 2,000/REEL WITH 3 REELS PER CARTON.
5. PRODUCT SPECIFICATION: PS-130244-001
6. SEE PK-130197-001 FOR LOOSE PIECE PACKAGING INFO.
7. SEE PK-130196-002 FOR STRIP PACKAGING INFO.
8. APPLICATION TOOLING AND CRIMP SPECIFICATIONS: CONSULT FACTORY.
9. PARTS ARE ROHS COMPLIANT.

DOC RELEASE EC NO: WNAZ011-04/15 DRWNR: RUPERT CHKD: APPR: DTITUS	DESCRIPTION 2011/02/11 2012/04/18	QUALITY SYMBOLS ▽=0 ▽=0	GENERAL TOLERANCES (UNLESS SPECIFIED)	DIMENSION STYLE MM/IN	SCALE 4:1	DESIGN UNITS METRIC	THIRD ANGLE PROJECTION
		4 PLACES ± --- ± --- 3 PLACES ± --- ± --- 2 PLACES ± --- ± --- 1 PLACE ± --- ± --- ANGULAR ± 3 °	DRAWN BY CLYORK DATE 2010/04/15 CHECKED BY DTITUS DATE 2010/04/15 APPROVED BY DTITUS DATE 2010/05/07	TITLE PIN CONTACT, PV SOLAR 14 & 12-10 AWG	MATERIAL NO. SEE CHART	DOCUMENT NO. SD-130196-001	SHEET NO. 1 OF 1
DRAFT WHERE APPLICABLE MUST REMAIN WITHIN DIMENSIONS			THIS DRAWING CONTAINS INFORMATION THAT IS PROPRIETARY TO MOLEX INCORPORATED AND SHOULD NOT BE USED WITHOUT WRITTEN PERMISSION				