

Chipsmall Limited consists of a professional team with an average of over 10 year of expertise in the distribution of electronic components. Based in Hongkong, we have already established firm and mutual-benefit business relationships with customers from,Europe,America and south Asia,supplying obsolete and hard-to-find components to meet their specific needs.

With the principle of “Quality Parts,Customers Priority,Honest Operation,and Considerate Service”,our business mainly focus on the distribution of electronic components. Line cards we deal with include Microchip,ALPS,ROHM,Xilinx,Pulse,ON,Everlight and Freescale. Main products comprise IC,Modules,Potentiometer,IC Socket,Relay,Connector.Our parts cover such applications as commercial,industrial, and automotives areas.

We are looking forward to setting up business relationship with you and hope to provide you with the best service and solution. Let us make a better world for our industry!



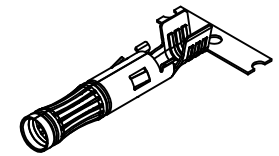
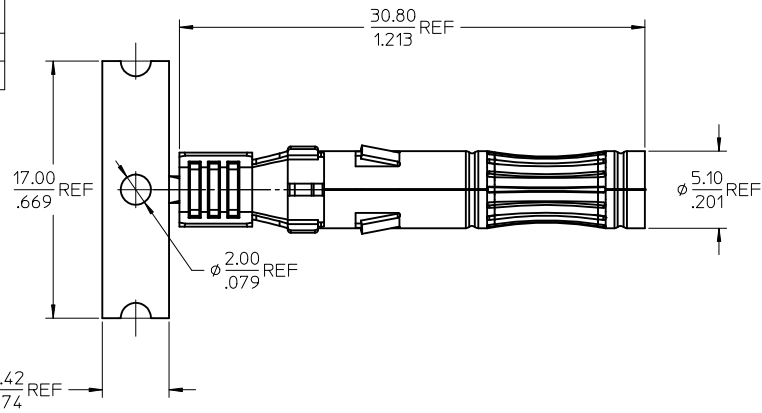
Contact us

Tel: +86-755-8981 8866 Fax: +86-755-8427 6832

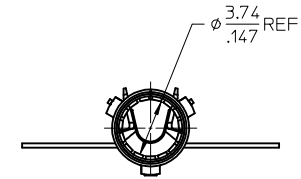
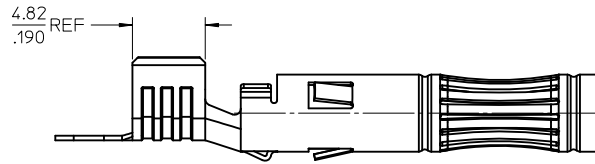
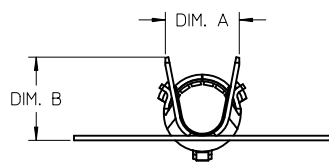
Email & Skype: info@chipsmall.com Web: www.chipsmall.com

Address: A1208, Overseas Decoration Building, #122 Zhenhua RD., Futian, Shenzhen, China

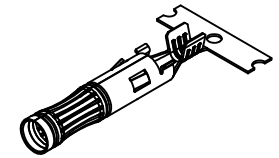
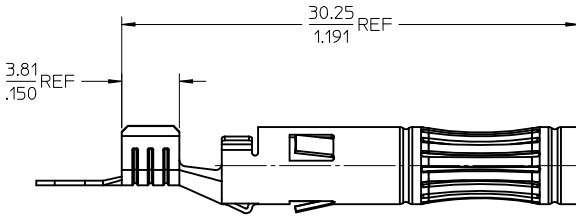
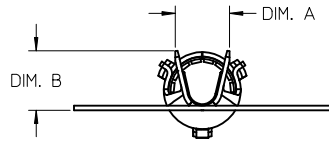
13	12	11	10	9	8
MATERIAL NO. ON STRIP	MATERIAL NO. LOOSE PIECE	CABLE SIZE	DIM. "A" REF	DIM. "B" REF	USE WITH HOUSING ASSY
1301970347	1301970336	2.5mm ² / 14AWG	3.58/.141	3.94/.155	1302440203
1301970346	1301970325	4.0-6.0mm ² / 12-10AWG	4.90/.193	5.51/.217	1302440201



12-10 AWG (4.0-6.0mm²)
SCALE 2:1

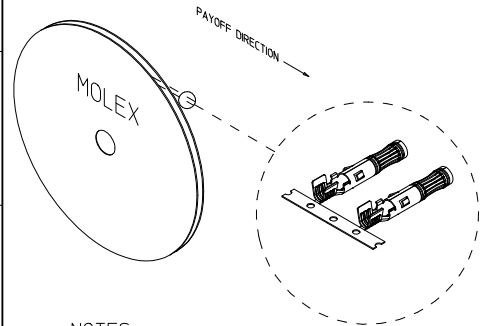


12-10 AWG (4.0-6.0mm²)



14 AWG (2.5mm²)
SCALE 2:1

14 AWG (2.5mm²)
SAME AS 12-10 AWG
EXCEPT AS NOTED



NOTES:

1. MATERIAL: COPPER ALLOY 0.30/.012 THK.
2. FINISH: 2.0μMETER/80μNCH MIN. SELECTIVE SILVER OVER 1.27μMETER/50μNCH MIN. NICKEL OVERALL
3. TERMINAL FOR USE WITH 130244 SERIES SOCKET HOUSING ASSEMBLY. SEE CHART FOR APPLICABLE PART NUMBERS.
4. STRIP TERMINALS ARE REELED AS SHOWN ABOVE ON ø580 (22.840 REELS 2,000/REEL WITH 3 REELS PER CARTON.
5. PRODUCT SPECIFICATION: PS-130244-001
6. SEE PK-130197-001 FOR LOOSE PIECE PACKAGING INFO.
7. SEE PK-130196-002 FOR STRIP PACKAGING INFO.
8. APPLICATION TOOLING AND CRIMP SPECIFICATIONS: CONSULT FACTORY.
9. PARTS ARE ROHS COMPLIANT.

DOC RELEASE EC NO: WNAZ011-04/15 DRWNR: RUPERT CHKD: APPR: DTITUS DATE: 2011/02/11 DATE: 2012/04/18	QUALITY SYMBOLS ▽=0 ▽=0	GENERAL TOLERANCES (UNLESS SPECIFIED)		DIMENSION STYLE MM/IN	SCALE 4:1	DESIGN UNITS METRIC	THIRD ANGLE PROJECTION	
		4 PLACES ± --- ± --- 3 PLACES ± --- ± --- 2 PLACES ± --- ± --- 1 PLACE ± --- ± ---	mm INCH	DRAWN BY CLYORK	DATE 2010/04/15	TITLE SOCKET CONTACT, PV SOLAR 14 & 12-10 AWG		
		ANGULAR ± 3 °	DRAFT WHERE APPLICABLE MUST REMAIN WITHIN DIMENSIONS	CHECKED BY DTITUS	DATE 2010/04/15	APPROVED BY DTITUS		
		MATERIAL NO. SEE CHART	DATE 2010/05/07	DOCUMENT NO. MOLEX INCORPORATED SD-130197-001	SHEET NO. 1 OF 1			

THIS DRAWING CONTAINS INFORMATION THAT IS PROPRIETARY TO MOLEX INCORPORATED AND SHOULD NOT BE USED WITHOUT WRITTEN PERMISSION