



Chipsmall Limited consists of a professional team with an average of over 10 year of expertise in the distribution of electronic components. Based in Hongkong, we have already established firm and mutual-benefit business relationships with customers from,Europe,America and south Asia,supplying obsolete and hard-to-find components to meet their specific needs.

With the principle of “Quality Parts,Customers Priority,Honest Operation,and Considerate Service”,our business mainly focus on the distribution of electronic components. Line cards we deal with include Microchip,ALPS,ROHM,Xilinx,Pulse,ON,Everlight and Freescale. Main products comprise IC,Modules,Potentiometer,IC Socket,Relay,Connector.Our parts cover such applications as commercial,industrial, and automotives areas.

We are looking forward to setting up business relationship with you and hope to provide you with the best service and solution. Let us make a better world for our industry!



Contact us

Tel: +86-755-8981 8866 Fax: +86-755-8427 6832

Email & Skype: info@chipsmall.com Web: www.chipsmall.com

Address: A1208, Overseas Decoration Building, #122 Zhenhua RD., Futian, Shenzhen, China



6

5

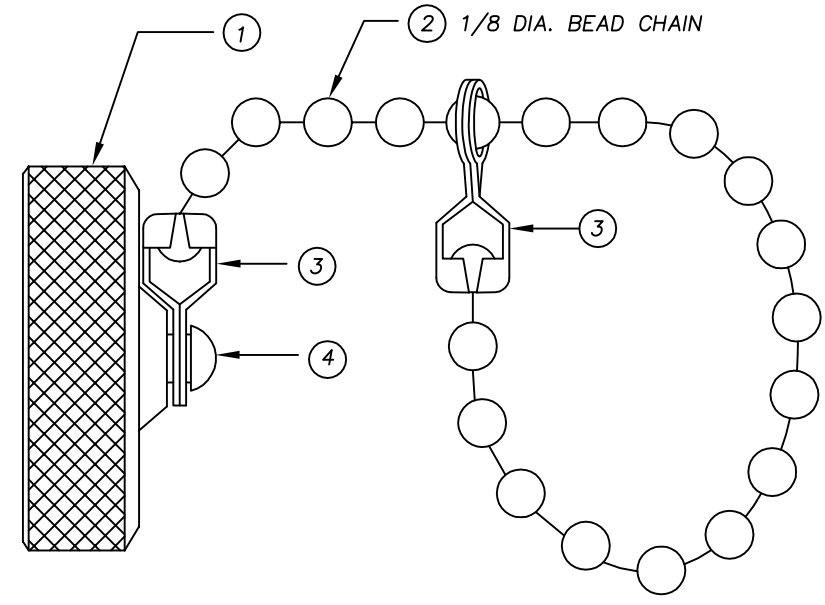
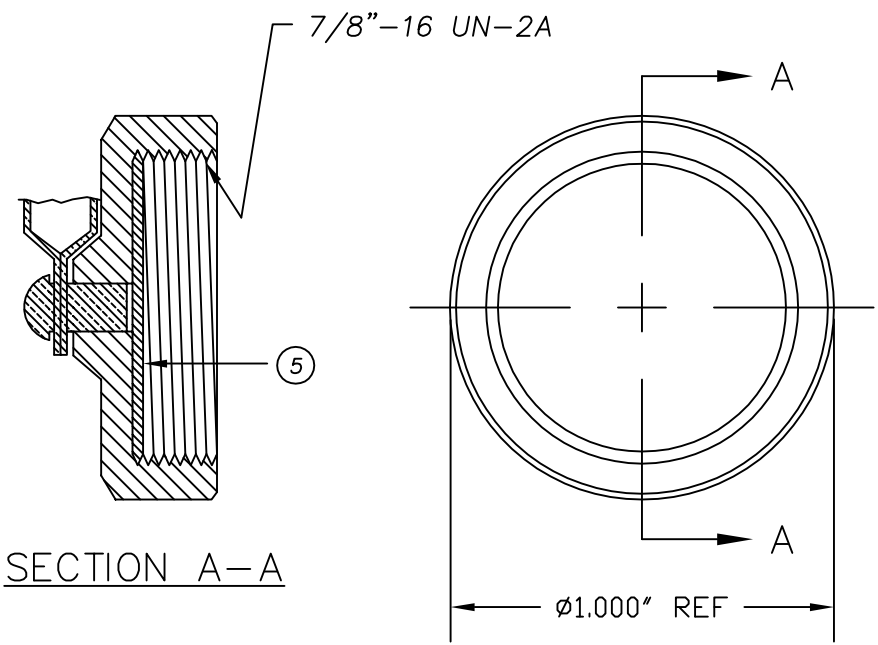
4

3

2

1

REF.	DESCRIPTION
1	303 ANODIZED ALUMINUM
2	6 INCH 1/8 DIA. STAINLESS STEEL BEAD CHAIN
3	STAINLESS STEEL CHAIN FASTENER
4	#4X3/16 DRIVE SCREW
5	NEOPRENE GASKET



SECTION A-A

∅1.000" REF

PART #	ENGINEERING NUMBER
1302011111	65-0086

RELEASE DRAWING
 EC NO: WNA2010-0134 8/28/09
 DRWN: TVICKERS
 CHKD: B.WOODMA 2009/08/28
 APPR: DTITUS 2009/08/31

QUALITY SYMBOLS
 ▽=0
 ∇=0

GENERAL TOLERANCES (UNLESS SPECIFIED)

	mm	INCH
4 PLACES	±----	±----
3 PLACES	±----	±----
2 PLACES	±----	±----
1 PLACE	±----	±----

ANGULAR ±---°

DRAFT WHERE APPLICABLE MUST REMAIN WITHIN DIMENSIONS

DIMENSION STYLE

DRAWN BY DATE
 T.V. 2009/08/28

CHECKED BY DATE
 B.WOODMA 2009/08/28

APPROVED BY DATE
 DTITUS 2009/08/28

MATERIAL NO.
 SEE CHART

SIZE
 A

SCALE 2:1

DESIGN UNITS INCH

THIRD ANGLE PROJECTION

TITLE
 MINI-CHANGE CLOS CAP FF
 A-SIZE INTERNAL THREAD
 WITH BEAD CHAIN AND LOOP

MOLEX INCORPORATED

DOCUMENT NO. SD-130046-009

SHEET NO. 1 OF 1

THIS DRAWING CONTAINS INFORMATION THAT IS PROPRIETARY TO MOLEX INCORPORATED AND SHOULD NOT BE USED WITHOUT WRITTEN PERMISSION

6

5

4

3

2

1