



Chipsmall Limited consists of a professional team with an average of over 10 year of expertise in the distribution of electronic components. Based in Hongkong, we have already established firm and mutual-benefit business relationships with customers from,Europe,America and south Asia,supplying obsolete and hard-to-find components to meet their specific needs.

With the principle of “Quality Parts,Customers Priority,Honest Operation,and Considerate Service”,our business mainly focus on the distribution of electronic components. Line cards we deal with include Microchip,ALPS,ROHM,Xilinx,Pulse,ON,Everlight and Freescale. Main products comprise IC,Modules,Potentiometer,IC Socket,Relay,Connector.Our parts cover such applications as commercial,industrial, and automotives areas.

We are looking forward to setting up business relationship with you and hope to provide you with the best service and solution. Let us make a better world for our industry!



## Contact us

Tel: +86-755-8981 8866 Fax: +86-755-8427 6832

Email & Skype: info@chipsmall.com Web: www.chipsmall.com

Address: A1208, Overseas Decoration Building, #122 Zhenhua RD., Futian, Shenzhen, China



6

5

4

3

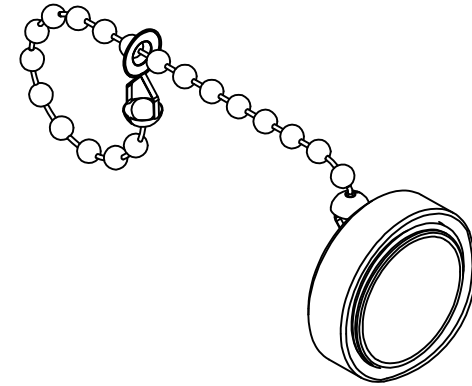
2

1

E

E

PART NUMBER	OLD PART NUMBER
1302011116	65-0103

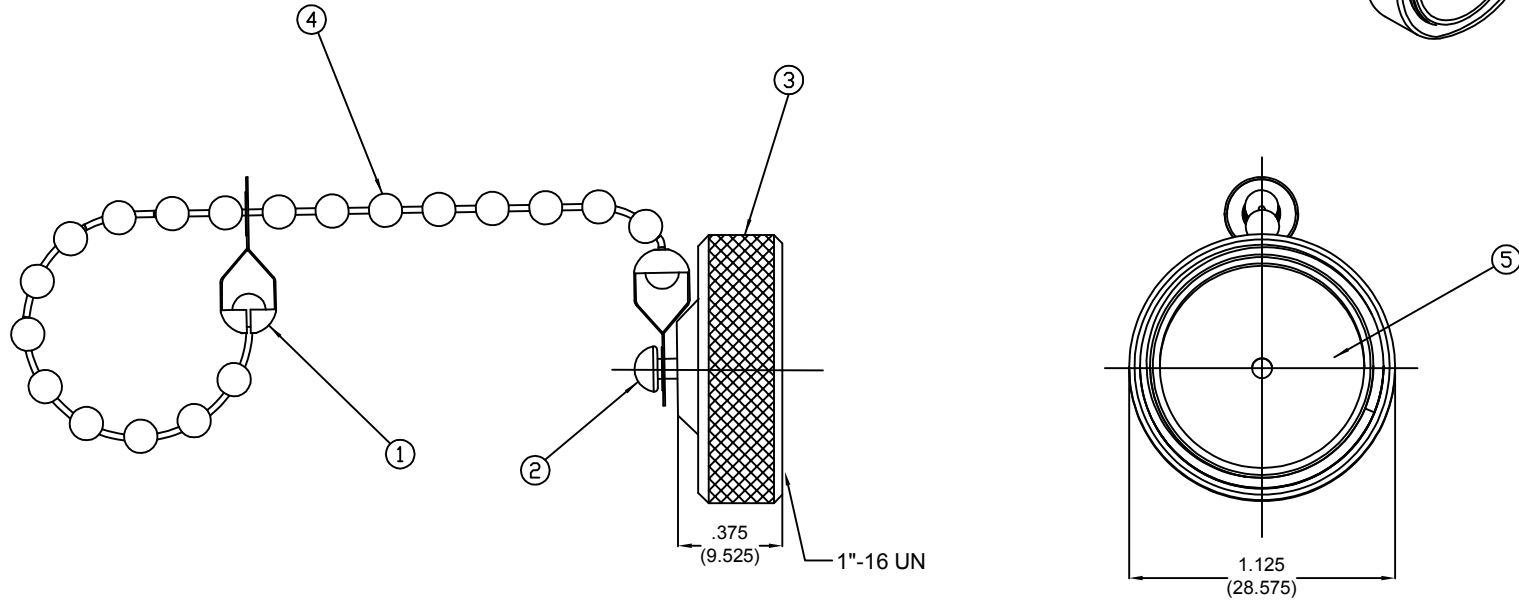


D

D

C

C



B

B

A

A

-	COMPONENT	MATERIAL	FINISH
1	BEAD CHAIN FITTING (1/8IN.)	STEEL	NICKEL PLATED
2	.187 SCREW	STAINLESS STEEL	PASSIVATED
3	CLOSURE CAP	ZINC DIE CAST	BLACK E-COAT
4	BEAD CHAIN	STEEL	NICKEL PLATED
5	GASKET	NEOPRENE	BLACK

EC NO: WNA2010-0167  
 9/3/09  
 DRWN: BWOODMAN  
 CHKD: ---  
 APPR: JFMURPHY 2009/09/11

QUALITY SYMBOLS  
 $\nabla=0$   
 $\nabla C=0$

GENERAL TOLERANCES (UNLESS SPECIFIED)		
	mm	INCH
4 PLACES	±---	±---
3 PLACES	±.005	±.005
2 PLACES	±.013	±.010
1 PLACE	±.025	±.020

ANGULAR ±1/2°  
 DRAFT WHERE APPLICABLE  
 MUST REMAIN  
 WITHIN DIMENSIONS

DIMENSION STYLE  
 IN/MM

DRAWN BY DATE  
 TVICKERS 2009/08/21

CHECKED BY DATE  
 B.WOODMA 2009/08/21

APPROVED BY DATE  
 JFMURPHY 2009/09/11

MATERIAL NO.  
 SEE CHART

SIZE  
 A

SCALE  
 1:1

DESIGN UNITS  
 INCH

THIRD ANGLE PROJECTION

TITLE  
 CLOSURE CAP ASSEMBLY

MOLEX INCORPORATED

DOCUMENT NO.  
 SD-130201-232

SHEET NO.  
 1 OF 1

6

5

4

3

2

1