



Chipsmall Limited consists of a professional team with an average of over 10 year of expertise in the distribution of electronic components. Based in Hongkong, we have already established firm and mutual-benefit business relationships with customers from,Europe,America and south Asia,supplying obsolete and hard-to-find components to meet their specific needs.

With the principle of “Quality Parts,Customers Priority,Honest Operation,and Considerate Service”,our business mainly focus on the distribution of electronic components. Line cards we deal with include Microchip,ALPS,ROHM,Xilinx,Pulse,ON,Everlight and Freescale. Main products comprise IC,Modules,Potentiometer,IC Socket,Relay,Connector.Our parts cover such applications as commercial,industrial, and automotives areas.

We are looking forward to setting up business relationship with you and hope to provide you with the best service and solution. Let us make a better world for our industry!



## Contact us

Tel: +86-755-8981 8866 Fax: +86-755-8427 6832

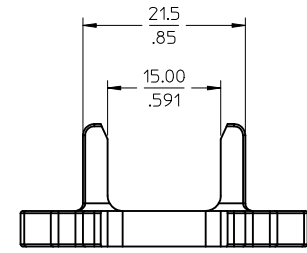
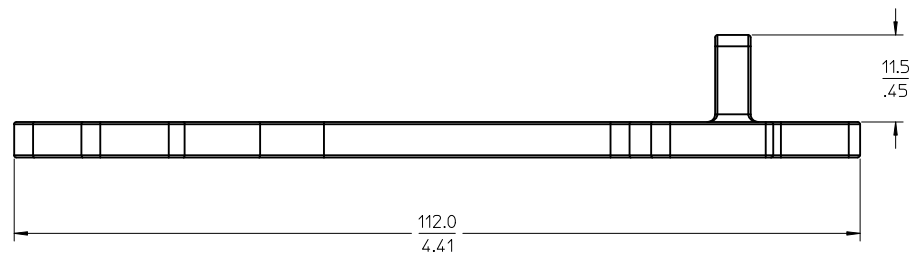
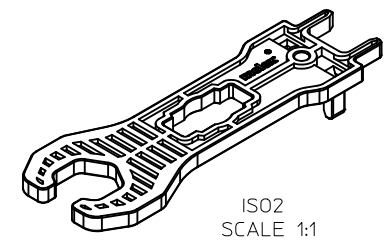
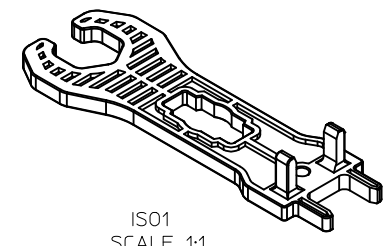
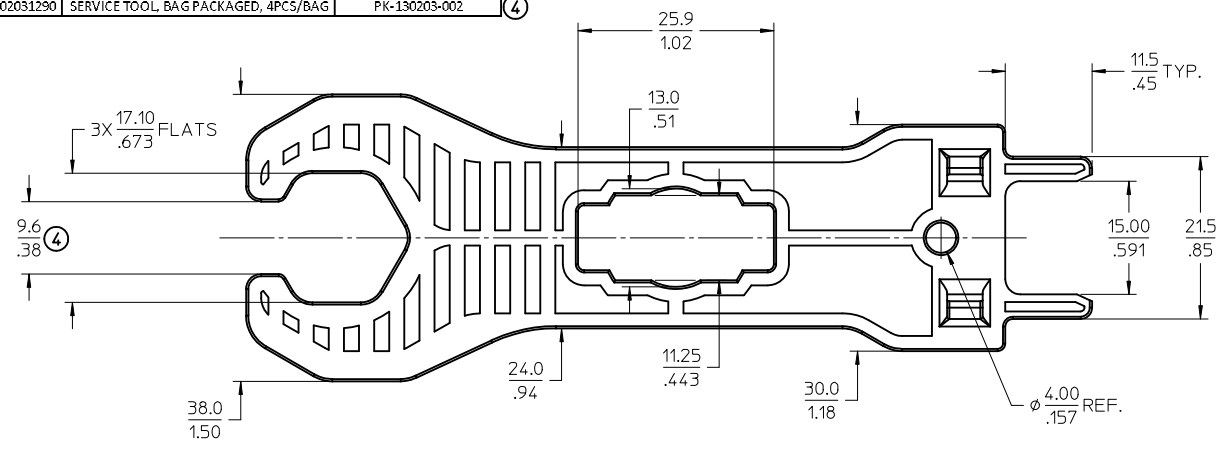
Email & Skype: info@chipsmall.com Web: www.chipsmall.com

Address: A1208, Overseas Decoration Building, #122 Zhenhua RD., Futian, Shenzhen, China



MATERIAL NUMBER	DESCRIPTION	PACKAGING SPECIFICATION
1302031250	SERVICE TOOL, BULK PACKAGED	PK-130203-001
1302031290	SERVICE TOOL, BAG PACKAGED, 4PCS/BAG	PK-130203-002

④



NOTES:

1. MATERIAL: POLYAMIDE 66 (PA66)
2. FINISH: BLACK
3. PRODUCT SPECIFICATION: PS-130244-001
- ④ 4. PACKAGING SPECIFICATION: SEE CHART
5. APPLICATION SPECIFICATION: AS-130244-001
6. USE WITH: 130244 SERIES HOUSING ASSEMBLIES

UPDATE PER FPR/ADD MATL#	QUALITY SYMBOLS
EC NO: WNA2011-0358	▽=0
DRWN:CLYORK 2011/01/05	▽=0
CHKD:	
APPR:DTITUS 2011/01/18	
REV	DESCRIPTION
4	

GENERAL TOLERANCES (UNLESS SPECIFIED)	
	MM/IN
4 PLACES	± .05 / ± .002
3 PLACES	± .10 / ± .004
2 PLACES	± 0.25 / ± .010
1 PLACE	± 0.5 / ± .020
ANGULAR ± 3°	
DRAFT WHERE APPLICABLE MUST REMAIN WITHIN DIMENSIONS	

DIMENSION STYLE	
MM/IN	
DRAWN BY	DATE
CLYORK	2010/04/15
CHECKED BY	DATE
DTITUS	2010/04/15
APPROVED BY	DATE
DTITUS	2010/05/07
MATERIAL NO.	
SEE CHART	
SIZE	
THIS DRAWING CONTAINS INFORMATION THAT IS PROPRIETARY TO MOLEX INCORPORATED AND SHOULD NOT BE USED WITHOUT WRITTEN PERMISSION	

SCALE	DESIGN UNITS	THIRD ANGLE PROJECTION
2:1	METRIC	
TITLE		
UNLOCK TOOL, PV SOLAR DC CONNECTOR		
MOLEX MOLEX INCORPORATED		
DOCUMENT NO.	SHEET NO.	
SD-130203-001	1 OF 1	