



Chipsmall Limited consists of a professional team with an average of over 10 year of expertise in the distribution of electronic components. Based in Hongkong, we have already established firm and mutual-benefit business relationships with customers from,Europe,America and south Asia,supplying obsolete and hard-to-find components to meet their specific needs.

With the principle of “Quality Parts,Customers Priority,Honest Operation,and Considerate Service”,our business mainly focus on the distribution of electronic components. Line cards we deal with include Microchip,ALPS,ROHM,Xilinx,Pulse,ON,Everlight and Freescale. Main products comprise IC,Modules,Potentiometer,IC Socket,Relay,Connector.Our parts cover such applications as commercial,industrial, and automotives areas.

We are looking forward to setting up business relationship with you and hope to provide you with the best service and solution. Let us make a better world for our industry!



## Contact us

Tel: +86-755-8981 8866 Fax: +86-755-8427 6832

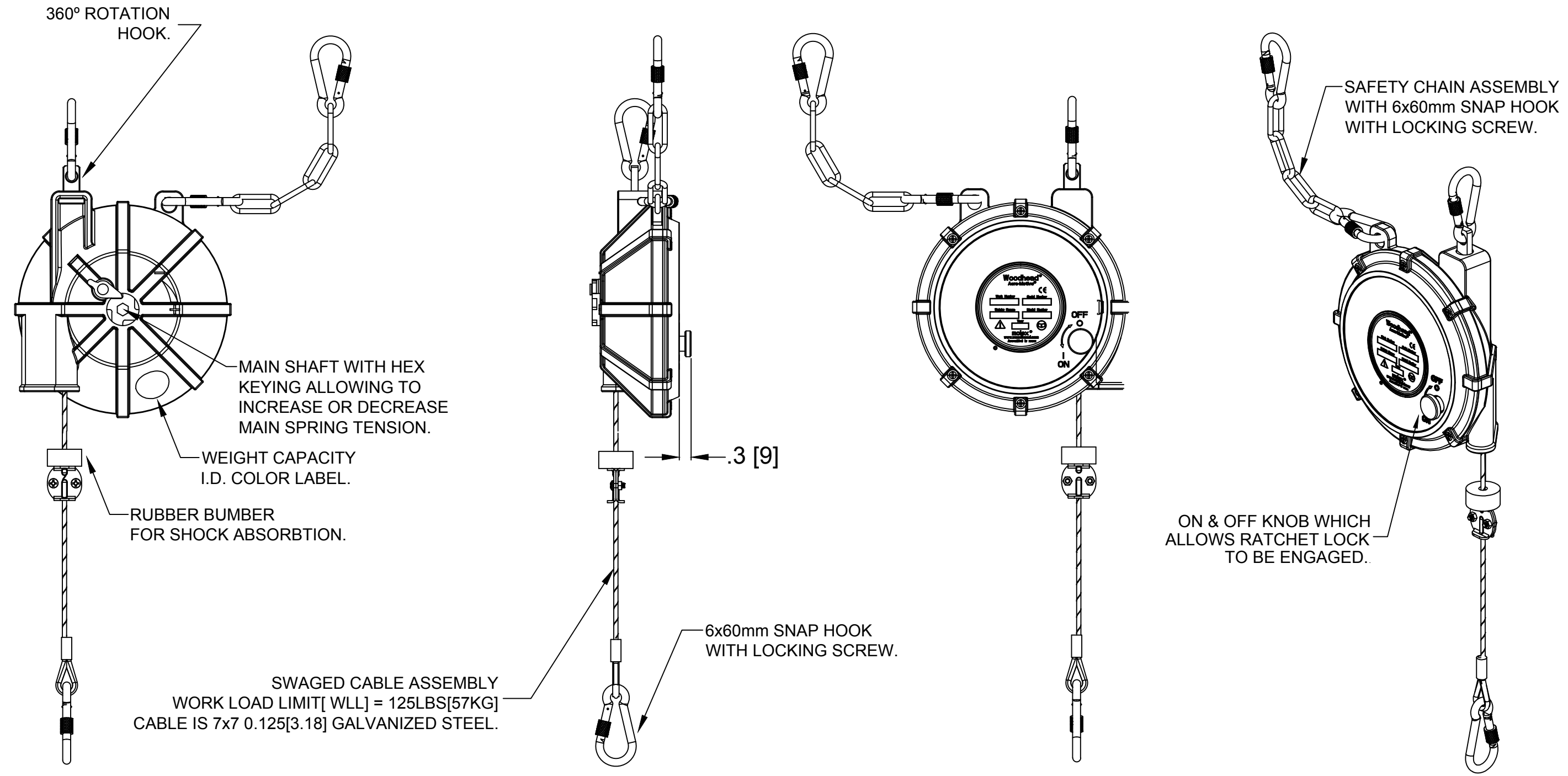
Email & Skype: info@chipsmall.com Web: www.chipsmall.com

Address: A1208, Overseas Decoration Building, #122 Zhenhua RD., Futian, Shenzhen, China



10 9 8 7 6 5 4 3 2 1

F  
E  
D  
C  
B



- NOTES:
- BALANCERS ARE 100% INSPECTED & PRE-TENSIONED AT FACTORY.
  - HOUSINGS ARE MADE FROM ABS CHEMICAL RESISTANT TO MEET HARSH INDUSTRIAL ENVIRONMENTS. COLOR IS BLUE RAL5017.
  - ALWAYS READ INSTRUCTIONS MANUAL BEFORE USING BALANCERS.
  - BALANCERS ARE NOT TO BE USED AS RETRACTORS THEIR MAIN PURPOSE BEING TO BALANCE A LOAD AND NOT TO RETRACT ONE.
  - OVERALL DIMENSIONS ARE FOR REFERENCE ONLY.

RELEASE TO SALES EC NO: IPG2012-0310 DRWN: MCHOJECK CHKD: --- APPR: DTITUS 3/6/12 2010/03/11 DESCRIPTION REV	QUALITY SYMBOLS	GENERAL TOLERANCES (UNLESS SPECIFIED)		DIMENSION STYLE		SCALE	DESIGN UNITS	THIRD ANGLE PROJECTION		
	▽=0 ∇=0	mm	INCH	IN/MM		NTS	INCH			
		4 PLACES	±-	±-	DRAWN BY	DATE	TITLE			
		3 PLACES	±-	±-	RH	2009/03/03	"AB" BALANCERS STD & W/ RATCHET LOCK 1-11 LBS WEIGHT RANGE			
		2 PLACES	±-	±-	CHECKED BY	DATE				
	1 PLACE	±-	±-	DT	2009/03/03	Molex MOLEX INCORPORATED				
	ANGULAR ±1°			APPROVED BY	DATE					
	DRAFT WHERE APPLICABLE MUST REMAIN WITHIN DIMENSIONS			DTITUS	2010/03/11	DOCUMENT NO.		SHEET NO.		
				SEE TABLE		SD-130237-001		1 OF 3		
				SIZE	THIS DRAWING CONTAINS INFORMATION THAT IS PROPRIETARY TO MOLEX INCORPORATED AND SHOULD NOT BE USED WITHOUT WRITTEN PERMISSION					
				B						

10 9 8 7 6 5 4 3 2 1

F  
E  
D  
C  
B

10 9 8 7 6 5 4 3 2 1

F

E

D

C

B

A

F

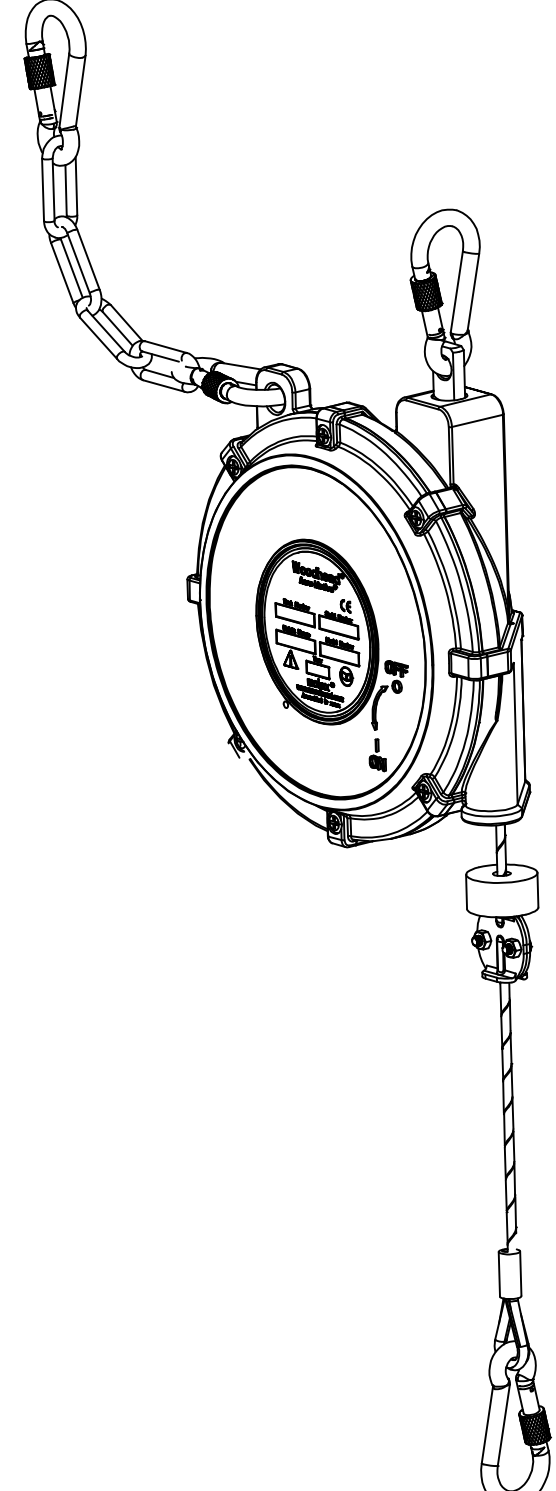
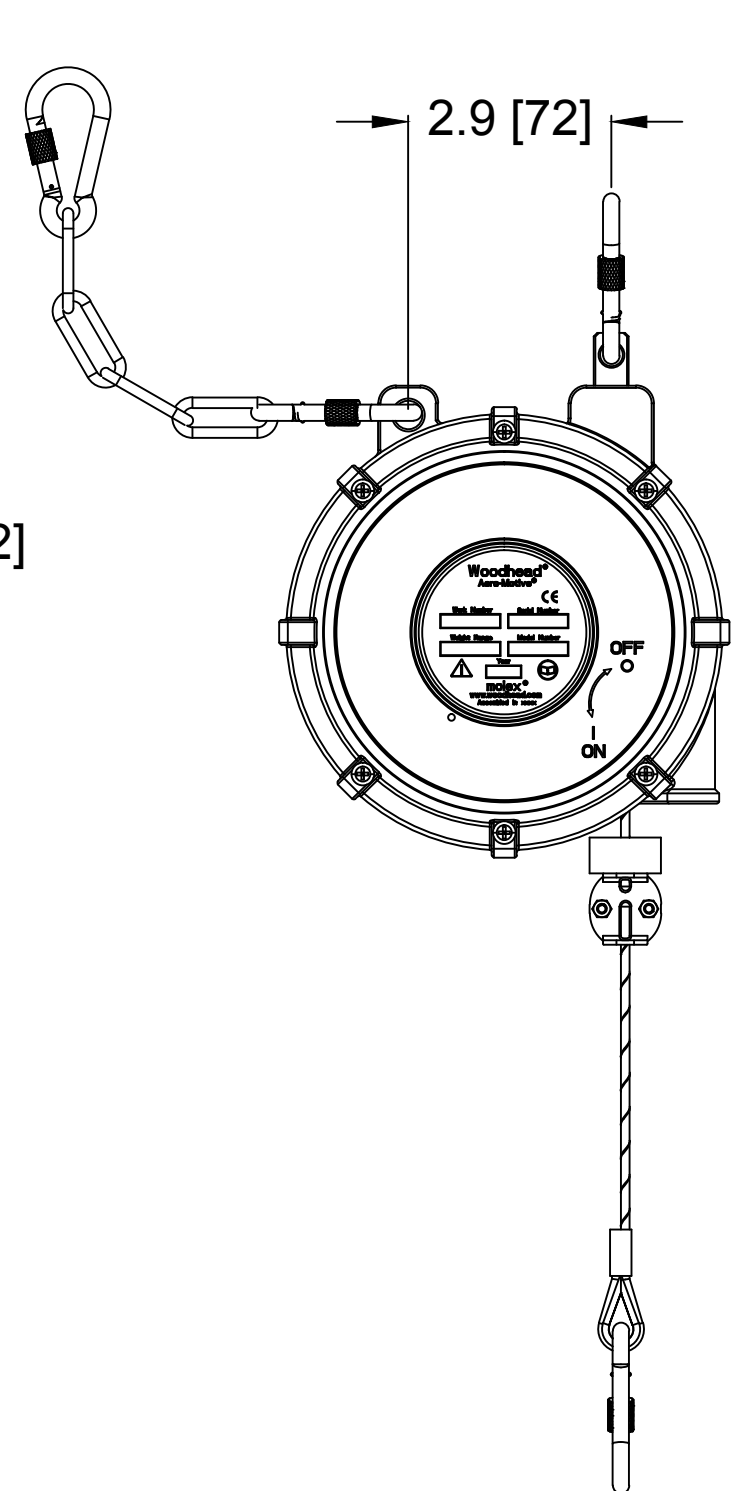
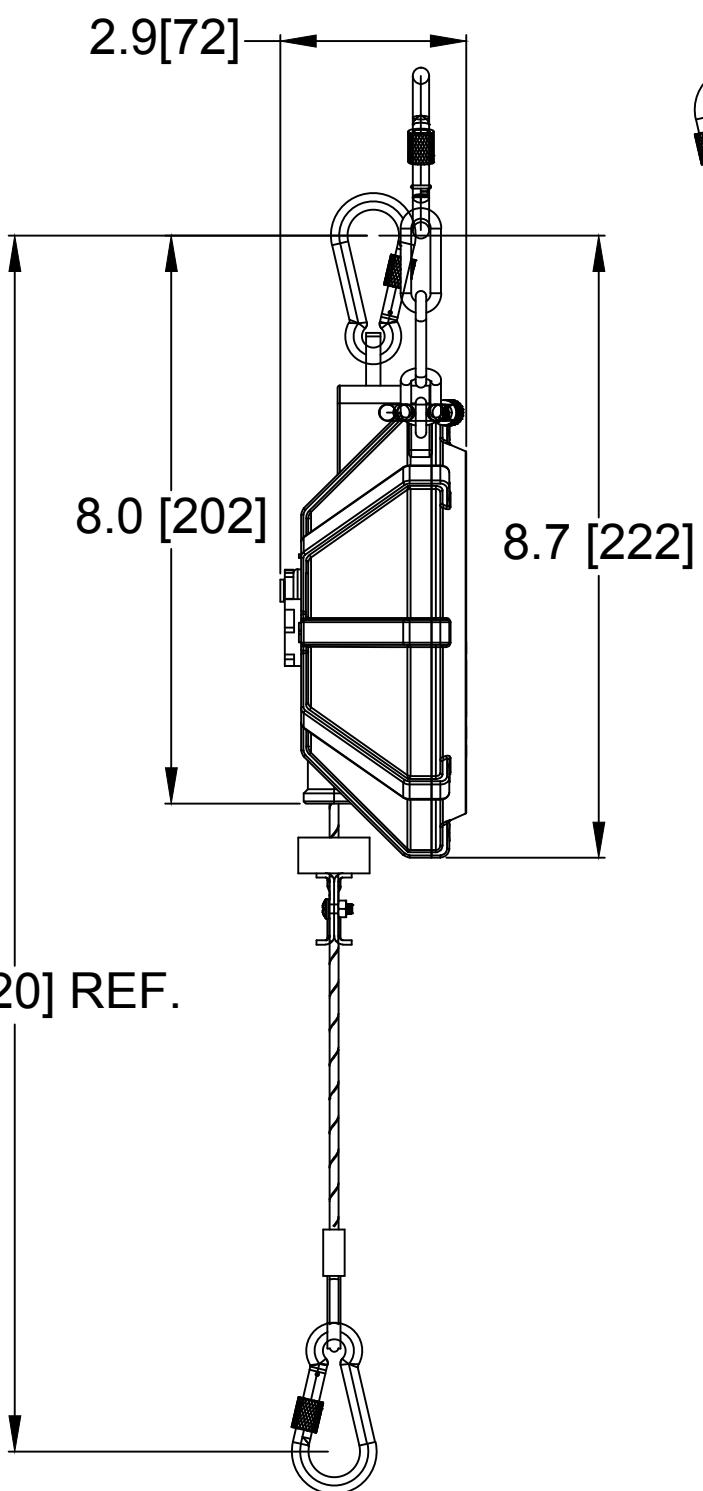
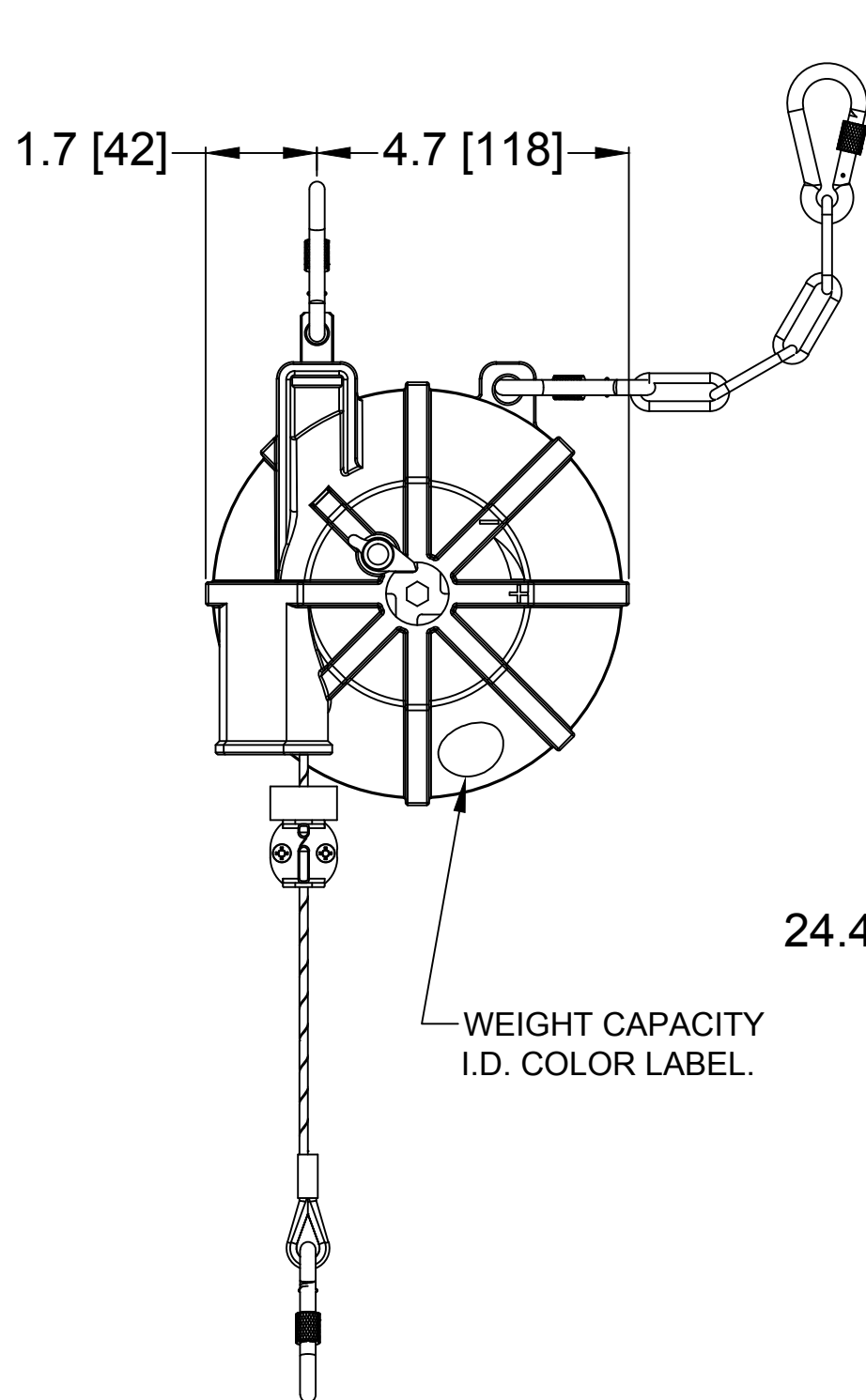
E

D

C

B

A



10 9 8 7 6 5 4 3 2 1

RELEASE TO SALES EC NO: IPG2012-0310 DRWN: MCHOJECK CHKD: --- APPR: DTITUS 2010/03/11 3/6/12 2010/03/11 DTITUS	QUALITY SYMBOLS	GENERAL TOLERANCES (UNLESS SPECIFIED)		DIMENSION STYLE		SCALE	DESIGN UNITS	THIRD ANGLE PROJECTION		
	▽=0 ∇=0	4 PLACES	±-	±-	IN/MM		NTS	INCH	TITLE "AB" BALANCERS STD & W/ RATCHET LOCK 1-11 LBS WEIGHT RANGE	
		3 PLACES	±-	±-	mm	INCH	DRAWN BY	DATE		
		2 PLACES	±-	±-	ANGULAR ±1°		CHECKED BY	DATE	MOLEX INCORPORATED DOCUMENT NO. SD-130237-001 SHEET NO. 2 OF 3	
		1 PLACE	±-	±-	DRAFT WHERE APPLICABLE MUST REMAIN WITHIN DIMENSIONS		APPROVED BY	DATE		
REV	DESCRIPTION	MATERIAL NO.		SEE TABLE		THIS DRAWING CONTAINS INFORMATION THAT IS PROPRIETARY TO MOLEX INCORPORATED AND SHOULD NOT BE USED WITHOUT WRITTEN PERMISSION				

**FINISHED ASSEMBLY:**

MATERIAL NUMBER	ENGINEERING NUMBER	COLOR ID LABEL	CABLE TRAVEL	WEIGHT RANGE		DESCRIPTION:
				LBS	KG	
1302370001	AB4	YELLOW	5.3FT[1.6M]	1.5-4.0	0.7-1.8	AB BALANCER NON-RATCHET
1302370002	AB8	RED	5.3FT[1.6M]	4.0-8.0	1.8-3.6	AB BALANCER NON-RATCHET
1302370003	AB11	WHITE	5.3FT[1.6M]	8.0-11.0	3.6-5.0	AB BALANCER NON-RATCHET
1302370004	AB4RL	YELLOW	5.3FT[1.6M]	1.5-4.0	0.7-1.8	AB BALANCER W/RATCHET LOCK
1302370005	AB8RL	RED	5.3FT[1.6M]	4.0-8.0	1.8-3.6	AB BALANCER W/RATCHET LOCK
1302370006	AB11RL	WHITE	5.3FT[1.6M]	8.0-11.0	3.6-5.0	AB BALANCER W/RATCHET LOCK

RELEASE TO SALES EC NO: IPG2012-0310 DRWN: MCHOJECK CHKD: --- APPR: DTITUS 3/6/12 2010/03/11	DESCRIPTION REV	QUALITY SYMBOLS	GENERAL TOLERANCES (UNLESS SPECIFIED)	DIMENSION STYLE		SCALE	DESIGN UNITS	THIRD ANGLE PROJECTION		
		▼=0		IN/MM		NTS	INCH			
		∇=0		mm	INCH	DRAWN BY	DATE		"AB" BALANCERS STD & W/ RATCHET LOCK 1-11 LBS WEIGHT RANGE MOLEX INCORPORATED	
				4 PLACES	±-	±-	RH			2009/03/03
				3 PLACES	±-	±-	CHECKED BY			DATE
	2 PLACES	±-	±-	DT	2009/03/03					
	1 PLACE	±-	±-	APPROVED BY	DATE	DTITUS	2010/03/11	MOLEX		
ANGULAR ±1°				MATERIAL NO.		DOCUMENT NO.		SHEET NO.		
DRAFT WHERE APPLICABLE MUST REMAIN WITHIN DIMENSIONS				SEE TABLE		SD-130237-001		3 OF 3		
				SIZE <b>B</b>	THIS DRAWING CONTAINS INFORMATION THAT IS PROPRIETARY TO MOLEX INCORPORATED AND SHOULD NOT BE USED WITHOUT WRITTEN PERMISSION					